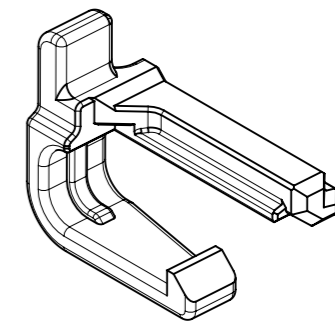
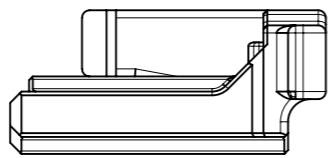
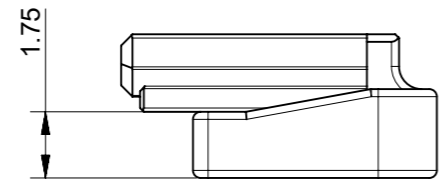
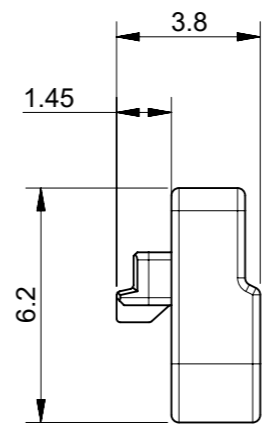
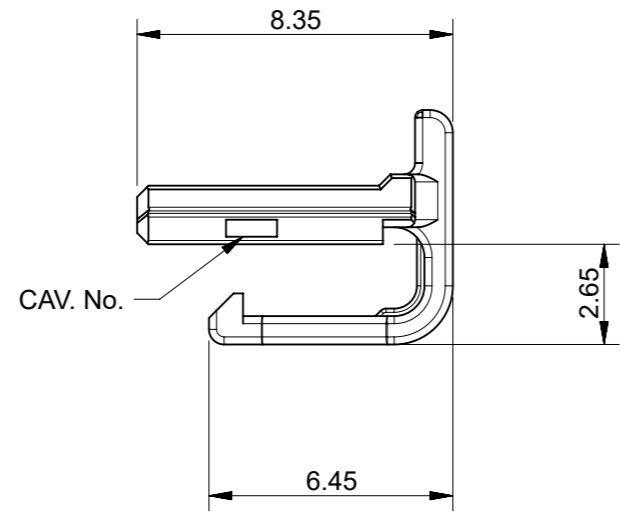
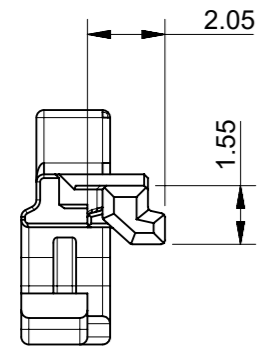


GENERAL TOLERANCE										USED ON
10 MAX	30 MAX	50 MAX	70 MAX	100 MAX	120 MAX	250 MAX	250 OVER	ANGLE	ECCENT	
±0.15	±0.20	±0.30	±0.40	±0.50	±0.75	±0.90	±1.4	±0.5°	0.1	



ISO VIEW



MATERIAL NUMBER

ORDER NO.	MATERIAL NO.	COLOR
560125-0300	5601250300	GRAY
560125-0301	5601250301	BLACK

- NOTES:
1. MATERIALS : POLYESTER (PBT)-GF17, UL94 V-0
 2. APPLICABLE HOUSING : 560123 SERIES
 3. GENERAL TOLERANCE : SEE TABLE
 4. EVL AND RoHS COMPLIANT
 5. PRODUCT SPECIFICATION : PS-560123-00*
 6. PACKING SPECIFICATION : PK-560125-001

FUNCTIONAL SYMBOLS	THIS DRAWING CONTAINS INFORMATION THAT IS PROPRIETARY TO MOLEX ELECTRONIC TECHNOLOGIES, LLC AND SHOULD NOT BE USED WITHOUT WRITTEN PERMISSION	CURRENT REV DESC: DRAWING REMASTERED		molex			
	EC NO: 641821	2020/07/17	NEW 2.0 PITCH W/B CONN. REC. 3WAY ISL DURACLIC ISL SERIES				
	DRWN: SAKIM	2020/07/27	PRODUCT CUSTOMER DRAWING				
	CHK'D: TOSADA	2020/07/27	DOCUMENT NUMBER				
APPR: TOSADA	2020/07/27	SD-560125-003			DOC TYPE	DOC PART	REVISION
INITIAL REVISION:	2014/07/08	SEE TABLE			GENERAL MARKET	1 OF 1	
DRWN: YIBAEK	2014/08/26	MATERIAL NUMBER			CUSTOMER		SHEET NUMBER
APPR: SRTAK		A3-SIZE			SERIES		560125
DRAFT WHERE APPLICABLE MUST REMAIN WITHIN DIMENSIONS	THIRD ANGLE PROJECTION	DRAWING		MATERIAL NUMBER		CUSTOMER	
		A3-SIZE		560125		GENERAL MARKET	