

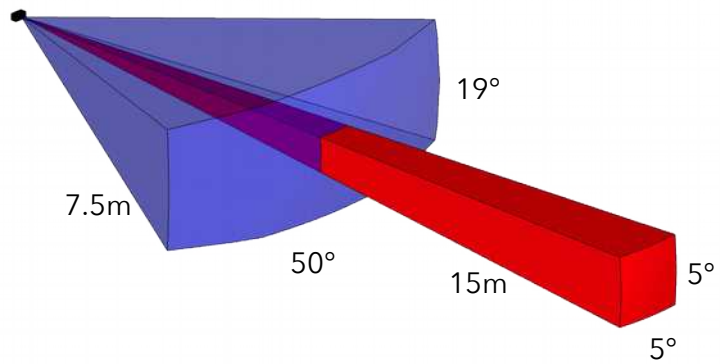


# TOFcam-635

## Miniaturized 3D Camera

### FEATURES

- Dual beam
- Low power consumption
- Low cost
- Up to 100kLux sunlight suppression
- Easy to use
- Customized versions possible

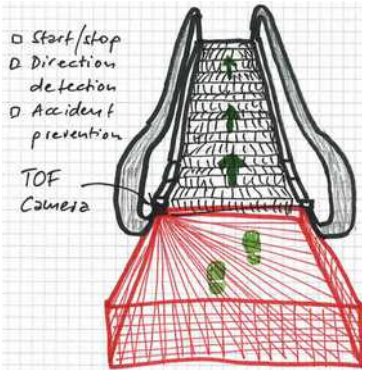


### FUNCTIONAL DESCRIPTION

The TOFcam-635 is a new design of a miniaturized and cost optimized 3D camera. It is based on the ESPROS proprietary time-of-flight technology using the epc635 TOF chip. The camera controls the illumination and the imager chip to obtain distance and grayscale images.

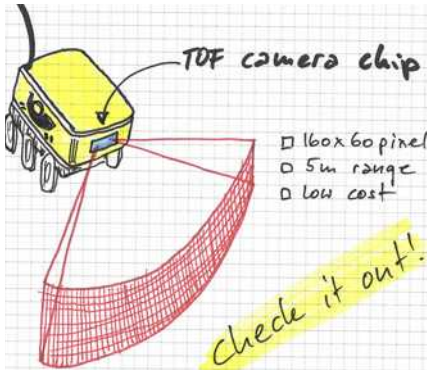
The depth images are compensated against ambient light, temperature and reflectivity of the scene. Thanks to the high performance of the imager chip with the unique ambient light suppression, the camera can be used in many cases under full sunlight condition. The output of the TOFcam-635 is depth and grayscale images - allowing a variety of new applications, e.g. for mobile robotics. This module brings you right in front with the latest technology of 3D depth sensing. All the complex engineering and time consuming design tasks regarding optics, illumination and signal processing are already solved.

### APPLICATIONS



- Start/stop
- Direction detection
- Accident prevention

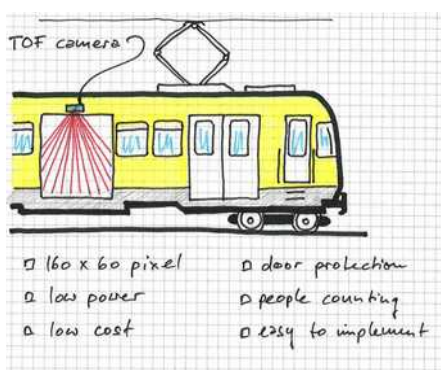
TOF Camera



TOF camera chip

- 160x60 pixel
- 5m range
- low cost

*check it out!*



TOF camera

- 160 x 60 pixel
- low power
- low cost
- door protection
- people counting
- easy to implement

## SPECIFICATIONS



### Range

Wide FOV: 0.1 - 7.5m  
Narrow FOV: 1.0 - 15m



### Temperature Range

-20 - +60°C



### Data Output

14 bit distance data in mm  
2 bit confidence data  
12 bit grayscale data  
ROS driver upon request



### Accuracy

±2cm (0.1 - 1m)  
±2% (1 - 15m)



### Ambient-light

100kLux



### Frame Rate

up to 50fps



### Field of View

Wide FOV: 50° x 19°  
Narrow FOV: 5° x 5°



### Power Consumption

Supply voltage 5V  
Approx. 1W, depending  
on operation mode



### Various

Automatic integration time  
Evaluation software and  
interface for Windows and  
Mac OS® available



### Resolution

160 x 60 Pixel



### Interface

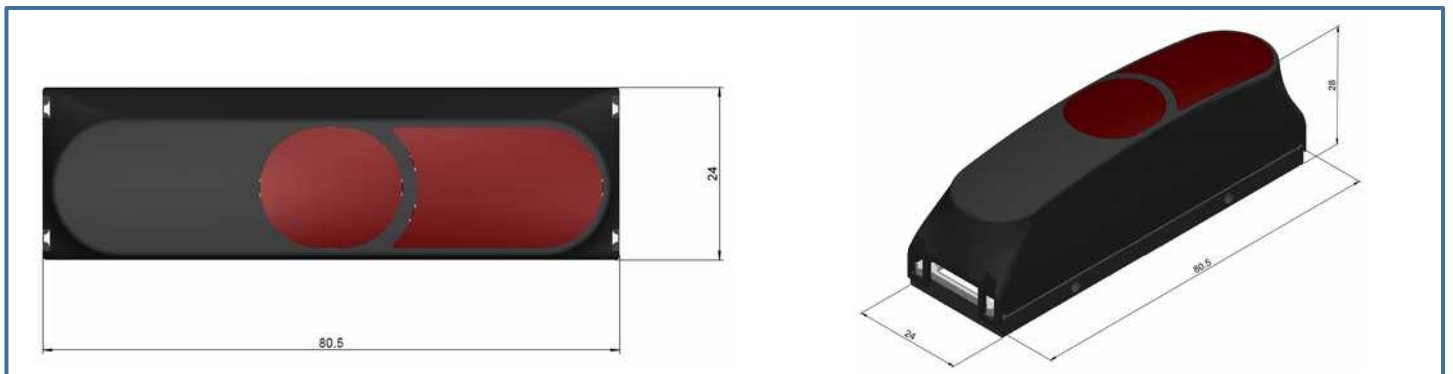
UART 10MBit/s



### Dimensions

L x W x D = 80.5 x 24 x 28mm

## MECHANICAL DIMENSIONS



## ORDER INFORMATION

Name:	Part No:
TOFcam-635	P100 531
Cable 10 pin; F-F; JST 1.0mm	P100 516
USB adapter kit	P100 539

## CONTACT INFORMATION

Headquarters Switzerland  
phone: +41 58 411 03 00  
email: sales@espros.com

US / Canada Sales Office  
phone: +1 336 837 8820  
email: sales\_us@espros.com

China Sales Office  
phone: +86 150 2112 2587  
email sales@espros.cn