
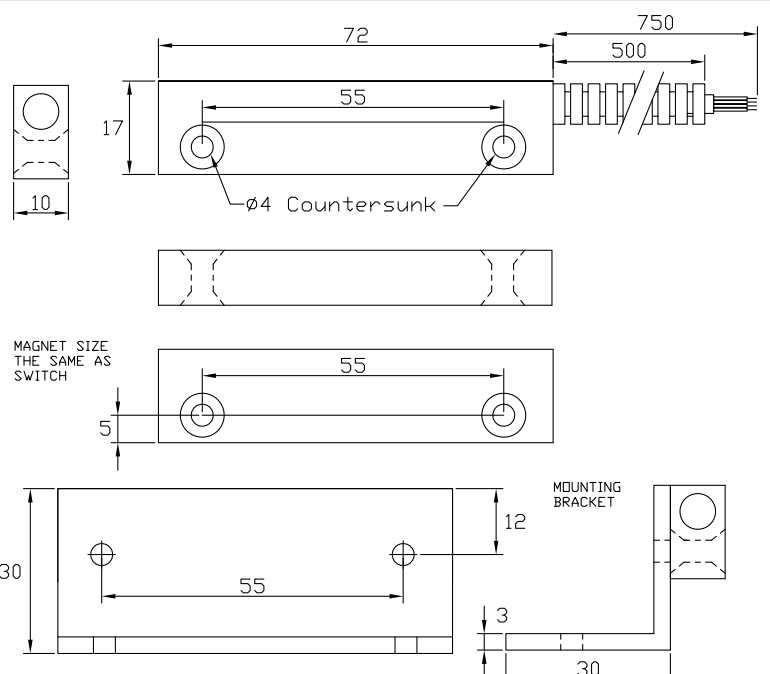


PICTURE	DIMENSIONS
 <p style="background-color: green; color: white; padding: 2px; display: inline-block;">✓ RoHS Compliant</p>	 <p>MAGNET SIZE THE SAME AS SWITCH</p> <p>MOUNTING BRACKET</p>
<p>Drawings not to scale All dimensions in mm nominal</p>	

SPECIFICATION		
Contact Form / Style	Normally Open + Supervisory loop	
Grade	2	
Switching Voltage	Max Volts AC/DC	50
Switching Current	Max Amps	0.5
Carry Current	Max Amps	0.8
Switching Capacity	Max W/VA	10
Insulation Resistance	Max MOhms	100
Contact Resistance	Max mOhm's	120
Operating Temperature	Celsius	- 40° to 85°
Case Material	Aluminium	
Operating Distance	Millimetres	30

Applications Include	Options
<ul style="list-style-type: none"> Alarm Systems. Appliance switching. Production Automation. Safety Door Guards. 	<ul style="list-style-type: none"> Non armoured cable type available. Normally closed and Change over types available. Custom cable types, cable lengths, connectors or crimp terminals. If you do not see what you need, just ask, as there is a strong possibility we can do it !

Did you know we also sell?



Float Switches



Pressure Switches



Magnets



Proximity Switches



Reed Switches



Reed Relays



Solid State Relays

Rev. No.	Revision Note	Date	Signature
1	Datasheet	18-03-15	ML