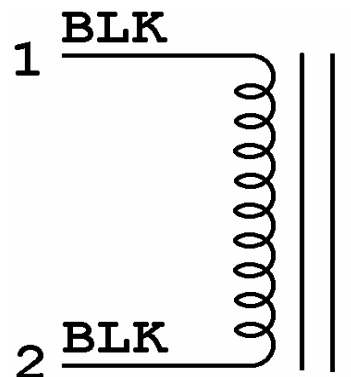
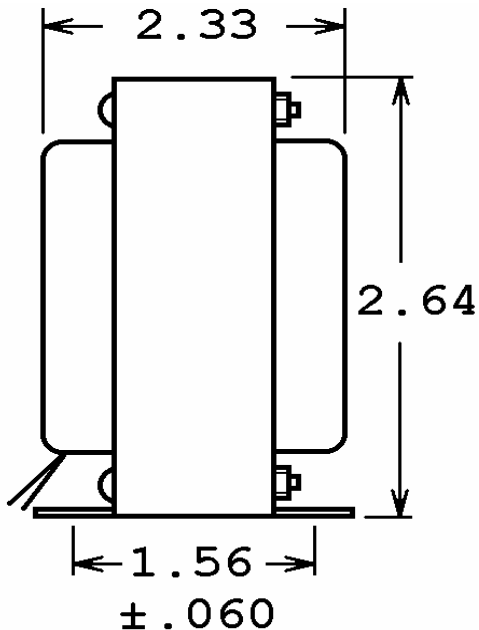
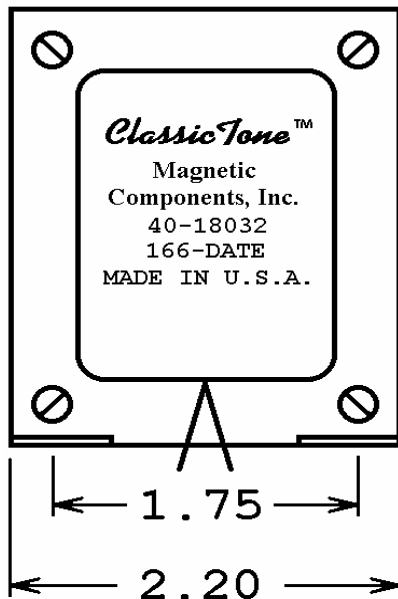


40-18032

This drawing is the property of Magnetic Components, Inc. and shall not be reproduced, in whole or in part, without the written permission of Magnetic Components, Inc.

REVISIONS			
LTR	DESCRIPTION	DATE	APPROVED
A	ADD CLASSICTONE	11/06/09	M. Sacketti
B	LEADS WERE RED & BLK	12/20/12	M. Sacketti



L = 5 Hy @ 120mA DC
D.C.R. = 115Ω

UNLESS OTHERWISE SPECIFIED		SIGNATURES		DATE	MAGNETIC COMPONENTS, INC.		DIV :	
ALL DIMENSIONS IN INCHES DO NOT SCALE DRAWING		DRAWN : <i>Muf</i>		07 MAY 09	TITLE		LOC : SCHILLER PK	
CHECK :		APPR : <i>M. Sacketti</i>		07 MAY 09	5 Hy MARSHALL CHOKE			
FRACTIONS +/-		CAGE		50508	SIZE	PART No.		REV
.X = +/-		SCALE		NONE	A	40-18032		B
.XX = +/-		SHEET :						
.XXX = +/-								
ANGLES = +/-								