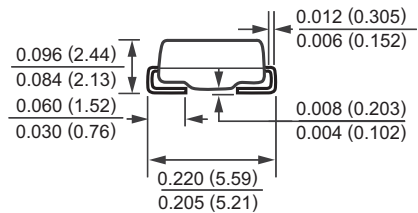
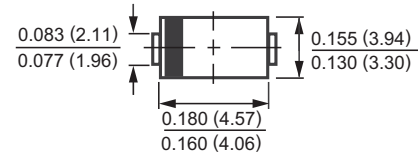


SURFACE MOUNT GPP
TRANSIENT VOLTAGE SUPPRESSOR
600 WATT PEAK POWER 5.0 WATTS STEADY STATE

FEATURES

- * Plastic package has underwriters laboratory
- * Glass passivated chip construction
- * 600 watt surge capability at 1ms
- * Excellent clamping capability
- * Low zener impedance
- * Fast response time
- * P/N suffix V means AEC-Q101 qualified, e.g:P6FMBJ6.8V
- * P/N suffix V means Halogen-free

DO-214AA



Dimensions in inches and (millimeters)

MAXIMUM RATINGS AND ELECTRICAL CHARACTERISTICS

Ratings at 25 °C ambient temperature unless otherwise specified.

DEVICES FOR BIPOLAR APPLICATIONS

For Bidirectional use C or CA suffix for types P6FMBJ6.8 thru P6FMBJ600

Electrical characteristics apply in both direction

MAXIMUM RATINGS (At TA = 25°C unless otherwise noted)

RATINGS	SYMBOL	VALUE	UNITS
Peak Power Dissipation with a 10/1000uS (Note 1, Fig.1)	PPPM	Minimum 600	Watts
Peak Pulse Durrent with a 10/1000uS waveform (Note 1, Fig.3)	IPPM	SEE TABLE 1	Amps
Steady State Power Dissipation at TL = 75°C	PM(AV)	5.0	Watts
Peak Forward Surge Current, 8.3mS single half sine wave superimposed on rated load (Jedec Method)(Note 2) unidirectional only	IFSM	100	Amps
Typical Current Squarad Time	I ² t	41.5	A ² /Sec
Typical Thermal Resistance (Note 3)	R _{θJA}	100	°C/W
Maximum Instantaneous Forward Voltage at 50A for unidirectional only (Note 4)	VF	SEE NOTE 4	Volts
Operating and Storage Temperature Range	TJ, TSTG	-55 to + 150	°C

- NOTES : 1. Non-repetitive current pulse, per Fig.3 and derated above TA = 25°C per Fig.2.
 2. Measured on 8.3mS single half Sine-Wave or equivalent wave, duty cycle = 4 pulses per minute maximum.
 3. Mounted on minimum recommended pad layout.
 4. VF = 3.5V on P6FMBJ6.8 thru P6FMB90 devices and VF = 5.0V on P6FMBJ100 thur P6FMB600 devices.

RATING AND CHARACTERISTIC CURVES (P6FMBJ6.8 THRU P6FMBJ600CA)

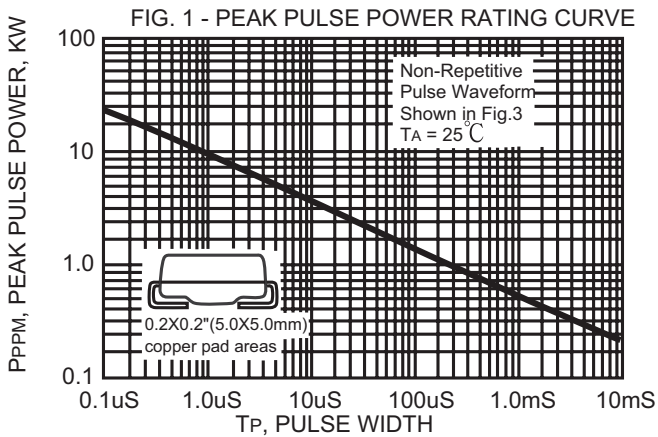


FIG. 3 - PULSE WAVEFORM

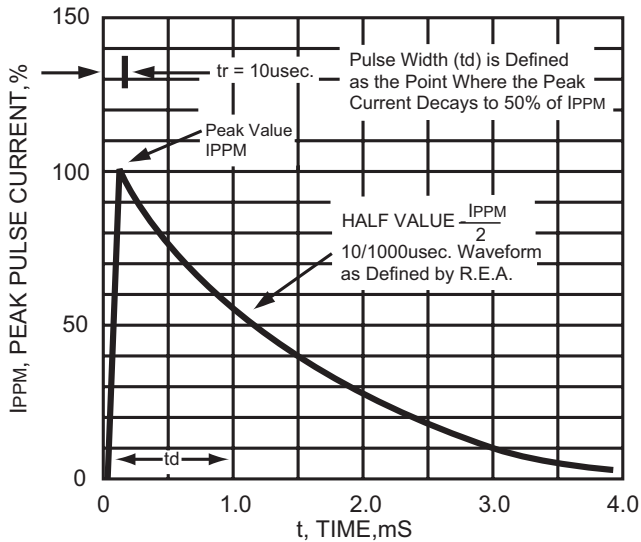


FIG. 5 - TYPICAL JUNCTION CAPACITANCE BIDIRECTIONAL

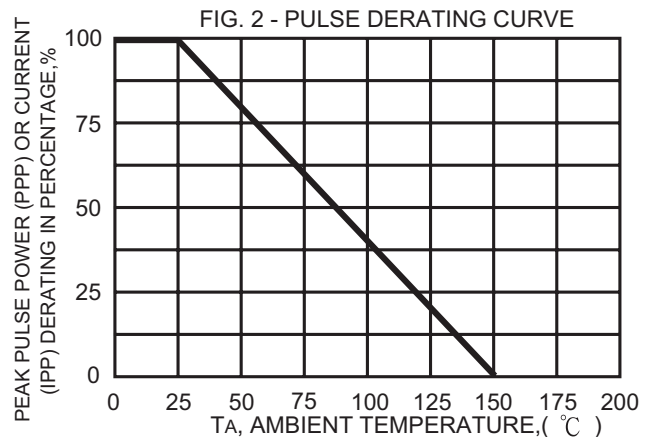
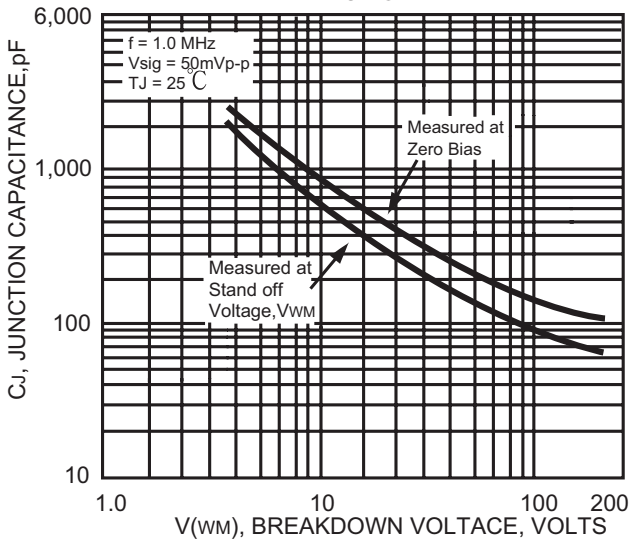


FIG. 4 - TYPICAL JUNCTION CAPACITANCE

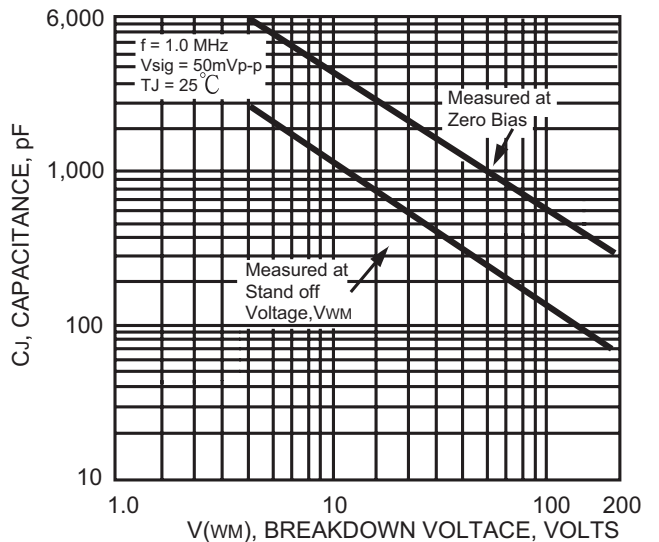
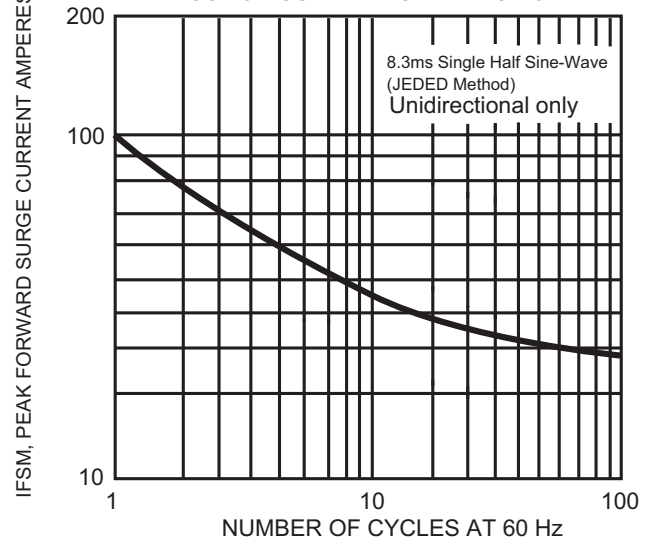


FIG. 6 - MAXIMUM NON-REPETITIVE FORWARD SURGE CURRENT UNIDIRECTIONAL



TRANSIENT VOLTAGE SUPPRESSORS

600W SERIES TVS DIODES / DO-214AA (CASE 3) 600W

TYPE	Breakdown Voltage		@IT (mA)	Reverse Stand off Voltage V _{WM} (Volts)	Maximum Reverse Leakage at V _{WM} I _D (uA)	Maximum Peak Pulse Current I _{PPM} (Amps)	Maximum Clamping Voltage at I _{PPM} V _C (Volts)
	V _{BR} (Volts)						
	MIN.	MAX.					
P6FMBJ6.8	6.12	7.48	10	5.50	1000	55.6	10.8
P6FMBJ6.8A	6.45	7.14	10	5.80	1000	57.1	10.5
P6FMBJ7.5	6.75	8.25	10	6.05	500	51.3	11.7
P6FMBJ7.5A	7.13	7.88	10	6.40	500	53.1	11.3
P6FMBJ8.2	7.38	9.02	10	6.63	200	48	12.5
P6FMBJ8.2A	7.79	8.61	10	7.02	200	49.6	12.1
P6FMBJ9.1	8.19	10.0	1.0	7.37	50	43.5	13.8
P6FMBJ9.1A	8.65	9.55	1.0	7.78	50	44.8	13.4
P6FMBJ10	9.00	11.0	1.0	8.10	10	40	15.0
P6FMBJ10A	9.50	10.5	1.0	8.55	10	41.4	14.5
P6FMBJ11	9.90	12.1	1.0	8.92	5.0	37	16.2
P6FMBJ11A	10.5	11.6	1.0	9.40	5.0	38.5	15.6
P6FMBJ12	10.8	13.2	1.0	9.72	5.0	34.7	17.3
P6FMBJ12A	11.4	12.6	1.0	10.2	5.0	35.9	16.7
P6FMBJ13	12.4	13.7	1.0	11.1	1.0	33	18.2
P6FMBJ13A	11.7	14.3	1.0	10.5	1.0	31.6	19.0
P6FMBJ15	13.5	16.5	1.0	12.1	1.0	27.3	22.0
P6FMBJ15A	14.3	15.8	1.0	12.8	1.0	28.3	21.2
P6FMBJ16	14.4	17.6	1.0	12.9	1.0	25.5	23.5
P6FMBJ16A	15.2	16.8	1.0	13.6	1.0	26.7	22.5
P6FMBJ18	16.2	19.8	1.0	14.5	1.0	22.6	26.5
P6FMBJ18A	17.1	18.9	1.0	15.3	1.0	23.8	25.2
P6FMBJ20	18.0	22.0	1.0	16.2	1.0	20.6	29.1
P6FMBJ20A	19.0	21.0	1.0	17.1	1.0	21.7	27.7
P6FMBJ22	19.8	24.2	1.0	17.8	1.0	18.8	31.9
P6FMBJ22A	20.9	23.1	1.0	18.8	1.0	19.6	30.6
P6FMBJ24	21.6	26.4	1.0	19.4	1.0	17.3	34.7
P6FMBJ24A	22.8	25.2	1.0	20.5	1.0	18.1	33.2
P6FMBJ27	24.3	29.7	1.0	21.8	1.0	15.3	39.1
P6FMBJ27A	25.7	28.4	1.0	23.1	1.0	16	37.5
P6FMBJ30	27.0	33.0	1.0	24.3	1.0	13.8	43.5
P6FMBJ30A	28.5	31.5	1.0	25.6	1.0	14.5	41.4
P6FMBJ33	29.7	36.3	1.0	26.8	1.0	12.6	47.7
P6FMBJ33A	31.4	34.7	1.0	28.2	1.0	13.1	45.7
P6FMBJ36	32.4	39.6	1.0	29.1	1.0	11.5	52.0
P6FMBJ36A	34.2	37.8	1.0	30.8	1.0	12	49.9
P6FMBJ39	35.1	42.9	1.0	31.6	1.0	10.6	56.4
P6FMBJ39A	37.1	41.0	1.0	33.3	1.0	11.1	53.9
P6FMBJ43	38.7	47.3	1.0	34.8	1.0	9.7	61.9
P6FMBJ43A	40.9	45.2	1.0	36.8	1.0	10.1	59.3
P6FMBJ47	42.3	51.7	1.0	38.1	1.0	8.8	67.8
P6FMBJ47A	44.7	49.4	1.0	40.2	1.0	9.3	64.8
P6FMBJ51	45.9	56.1	1.0	41.3	1.0	8.2	73.5
P6FMBJ51A	48.5	53.6	1.0	43.6	1.0	8.6	70.1
P6FMBJ56	50.4	61.6	1.0	45.4	1.0	7.5	80.5
P6FMBJ56A	53.2	58.8	1.0	47.8	1.0	7.8	77.0

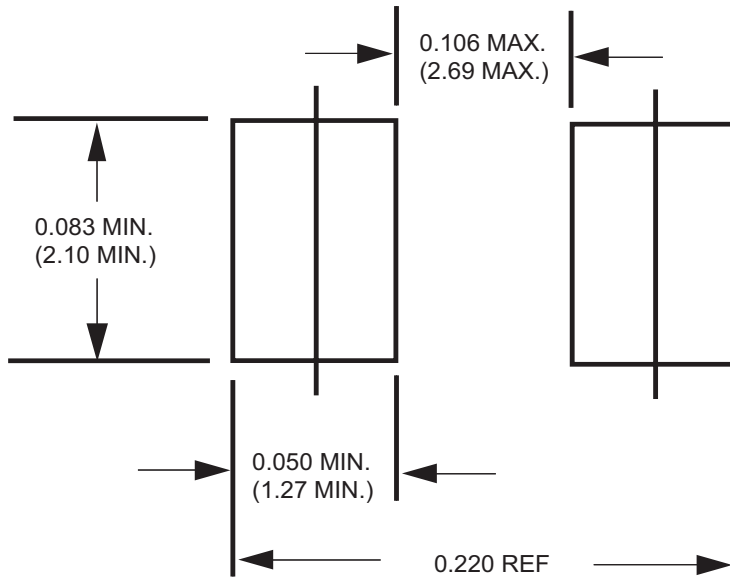
TRANSIENT VOLTAGE SUPPRESSORS

600W SERIES TVS DIODES / DO-214AA (CASE 3) 600W

TYPE	Breakdown Voltage		@I _T (mA)	Reverse Stand off Voltage V _{WM} (Volts)	Maximum Reverse Leakage at V _{WM} I _D (uA)	Maximum Peak Pulse Current I _{PPM} (Amps)	Maximum Clamping Voltage at I _{PPM} V _C (Volts)
	V _{BR} (Volts)						
	MIN.	MAX.					
P6FMBJ62	55.8	68.2	1.0	50.2	1.0	7.0	89.0
P6FMBJ62A	58.9	65.1	1.0	53.0	1.0	7.4	85.0
P6FMBJ68	61.2	74.8	1.0	55.1	1.0	6.4	98.0
P6FMBJ68A	64.6	71.4	1.0	58.1	1.0	6.8	92.0
P6FMBJ75	67.5	82.5	1.0	60.7	1.0	5.8	108
P6FMBJ75A	71.3	78.8	1.0	64.1	1.0	6.1	103
P6FMBJ82	73.8	90.2	1.0	66.4	1.0	5.3	118
P6FMBJ82A	77.9	86.1	1.0	70.1	1.0	5.5	113
P6FMBJ91	81.9	100	1.0	73.7	1.0	4.8	131
P6FMBJ91A	86.5	95.5	1.0	77.8	1.0	5.0	125
P6FMBJ100	90.0	110	1.0	81.0	1.0	4.4	144
P6FMBJ100A	95.0	105	1.0	85.5	1.0	4.5	137
P6FMBJ110	99.0	121	1.0	89.2	1.0	3.9	158
P6FMBJ110A	105	116	1.0	94.0	1.0	4.0	152
P6FMBJ120	108	132	1.0	97.2	1.0	3.6	173
P6FMBJ120A	114	126	1.0	102	1.0	3.7	165
P6FMBJ130	117	143	1.0	105	1.0	3.3	187
P6FMBJ130A	124	137	1.0	111	1.0	3.4	179
P6FMBJ150	135	165	1.0	121	1.0	2.8	215
P6FMBJ150A	143	158	1.0	128	1.0	2.9	207
P6FMBJ160	144	176	1.0	130	1.0	2.7	230
P6FMBJ160A	152	168	1.0	136	1.0	2.8	219
P6FMBJ170	153	187	1.0	138	1.0	2.5	244
P6FMBJ170A	162	179	1.0	145	1.0	2.6	234
P6FMBJ180	162	198	1.0	146	1.0	2.4	258
P6FMBJ180A	171	189	1.0	154	1.0	2.5	246
P6FMBJ200	180	220	1.0	162	1.0	2.1	287
P6FMBJ200A	190	210	1.0	171	1.0	2.2	274
P6FMBJ220	198	242	1.0	175	1.0	1.8	344
P6FMBJ220A	209	231	1.0	185	1.0	1.9	328
P6FMBJ250	225	275	1.0	202	1.0	1.7	360
P6FMBJ250A	237	263	1.0	214	1.0	1.8	344
P6FMBJ300	270	330	1.0	243	1.0	1.4	430
P6FMBJ300A	285	315	1.0	256	1.0	1.5	414
P6FMBJ350	315	385	1.0	284	1.0	1.2	504
P6FMBJ350A	332	368	1.0	300	1.0	1.3	482
P6FMBJ400	360	440	1.0	324	1.0	1.0	574
P6FMBJ400A	380	420	1.0	342	1.0	1.1	548
P6FMBJ440A	418	462	1.0	376	1.0	1.0	602
P6FMBJ480A	456	504	1.0	408	1.0	0.9	658
P6FMBJ510A	485	535	1.0	434	1.0	0.9	698
P6FMBJ530A	503	556	1.0	450	1.0	0.8	725
P6FMBJ540A	513	567	1.0	459	1.0	0.8	740
P6FMBJ550A	522.5	577.5	1.0	467	1.0	0.8	760
P6FMBJ600A	570	630	1.0	509	1.0	0.75	820

- Notes :
1. V_{BR} measured after I_T applied for 300ms. I_T = square pulse or equivalent.
 2. For bidirectional use C or CA suffixs for all types (ex. P6FMBJ6.8C,P6FMBJ600CA) electrical characteristics apply in both directions.
 3. For bidirectional types having V_{WM} of 10 volts and less, the I_D limit is doubled.
 4. All devices UL listed file# E211196.

Mounting Pad Layout



Dimensions in inches and (millimeters)



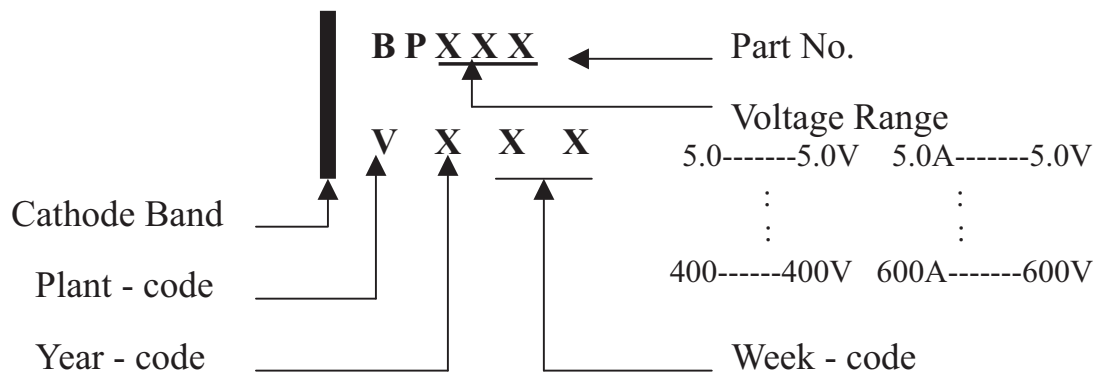
Attachment information about P6FMBJXXX

1. Internal Circuit

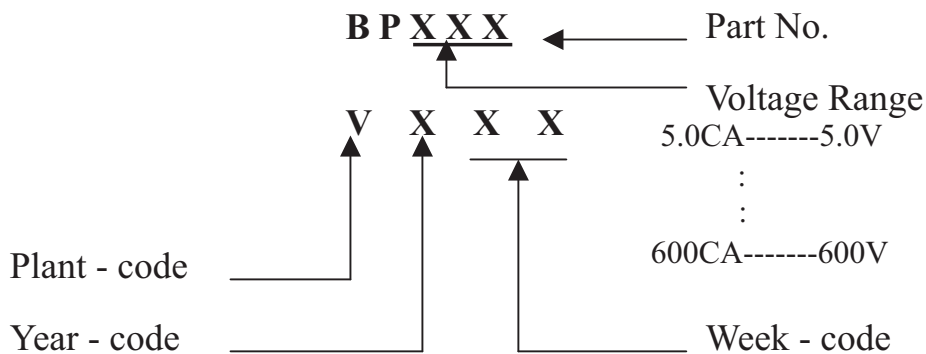


2. Marking on the body

1) P6 FMBJxxA/P6FMBJxx



2) P6 FMBJxxCA



PACKAGING OF DIODE AND BRIDGE RECTIFIERS

REEL PACK

PACKAGE	PACKING CODE	EA PER REEL	EA PER INNER BOX	COMPONENT SPACE (mm)	TAPE SPACE (mm)	REEL DIA (mm)	CARTON SIZE (mm)	EA PER CARTON	GROSS WEIGHT(Kg)
SMB	-W/T	3,000	6,000	---	---	330	360*355*360	48,000	13.90

DISCLAIMER NOTICE

Rectron Inc reserves the right to make changes without notice to any product specification herein, to make corrections, modifications, enhancements or other changes. Rectron Inc or anyone on its behalf assumes no responsibility or liability for any errors or inaccuracies. Data sheet specifications and its information contained are intended to provide a product description only. "Typical" parameters which may be included on RECTRON data sheets and/ or specifications can and do vary in different applications and actual performance may vary over time. Rectron Inc does not assume any liability arising out of the application or use of any product or circuit.

Rectron products are not designed, intended or authorized for use in medical, life-saving implant or other applications intended for life-sustaining or other related applications where a failure or malfunction of component or circuitry may directly or indirectly cause injury or threaten a life without expressed written approval of Rectron Inc. Customers using or selling Rectron components for use in such applications do so at their own risk and shall agree to fully indemnify Rectron Inc and its subsidiaries harmless against all claims, damages and expenditures.