

Panel Potentiometer

Model P09x Series



Features:

- Multi-ganged—up to 8 gangs
- Excellent 100,000 cycles life
- Rotary and Momentary Switch options
- Push-lock options
- Concentric shaft option
- Centre tap option
- PCB pins



Description:

9mm Rotary Potentiometer, with metal shaft and bushing. Options include audio and linear tapers; knurled, flatted and slotted shafts.

Applications:

- Audio / video equipment / Amplifiers / Mixers
- TV and multimedia sound systems / Portable electronics

Model Styles Available:

- Side Adjust, 1 to 8 gangs P09xN
- Side Adjust, 1 to 4 gangs, w/Rotary switch P09xS
- Side Adjust, 1 to 4 gangs, w/Momentary switch P09xM
- Top Adjust, 1 or 2 gangs P09x5N
- Side Adjust, with Push-Lock, 1 or 2 gangs P09xP
- With Concentric shaft, 2 to 4 gangs P09xC
- With Centre Tap, 2 gangs only P09xT

Electrical Characteristics

T_A = 25°C unless otherwise noted

Resistance Range	1KΩ to 1MΩ
Standard Resistance Tolerance	± 20%
Residual Resistance	20 ohms max
Resistance Taper	Audio (10A, 15A, 15C), Linear (1B) - see note 3
Maximum Operating Voltage	50Vac
Rated Power	Linear Taper B: 0.05W Other Tapers: 0.025W
Dielectric Strength	300 Vac , 1 minute
Rotational Noise	100mV max
Insulation Resistance	>100M ohms at 250 Vdc
Gang Error (Multi-ganged)	-40dB to 0dB, ±3dB

General Note

TT Electronics reserves the right to make changes in product specification without notice or liability. All information is subject to TT Electronics' own data and is considered accurate at time of going to print.

© TT electronics plc

TT Electronics | BI Technologies
413 Rood RD, Suite 7
Calexico, CA 92231
Ph: + 1 (714) 447-2345
www.ttelectronics.com

Rev - 04/2021 Page 1

Switch Characteristics

T_A = 25°C unless otherwise noted

Switch Circuit	SPST
Contact Resistance	<100mohms
Rated Power	3.0A at 16Vdc
Switch Life	15,000 cycles min.

Mechanical Characteristics

T_A = 25°C unless otherwise noted

Mechanical Travel (Rotational angle)	300° ± 10°
Rotational Torque	35 to 90 gf.cm
Rotational Stop Strength, Minimum	3.0kgf.cm
Shaft Pull Strength, Minimum	6.0 kgf
Detent Torque	50 to 200 gf.cm
Nut Tightening Strength, Minimum	8.0 kgf
Rotational Life	100,000 cycles

Environmental Characteristics

T_A = 25°C unless otherwise noted

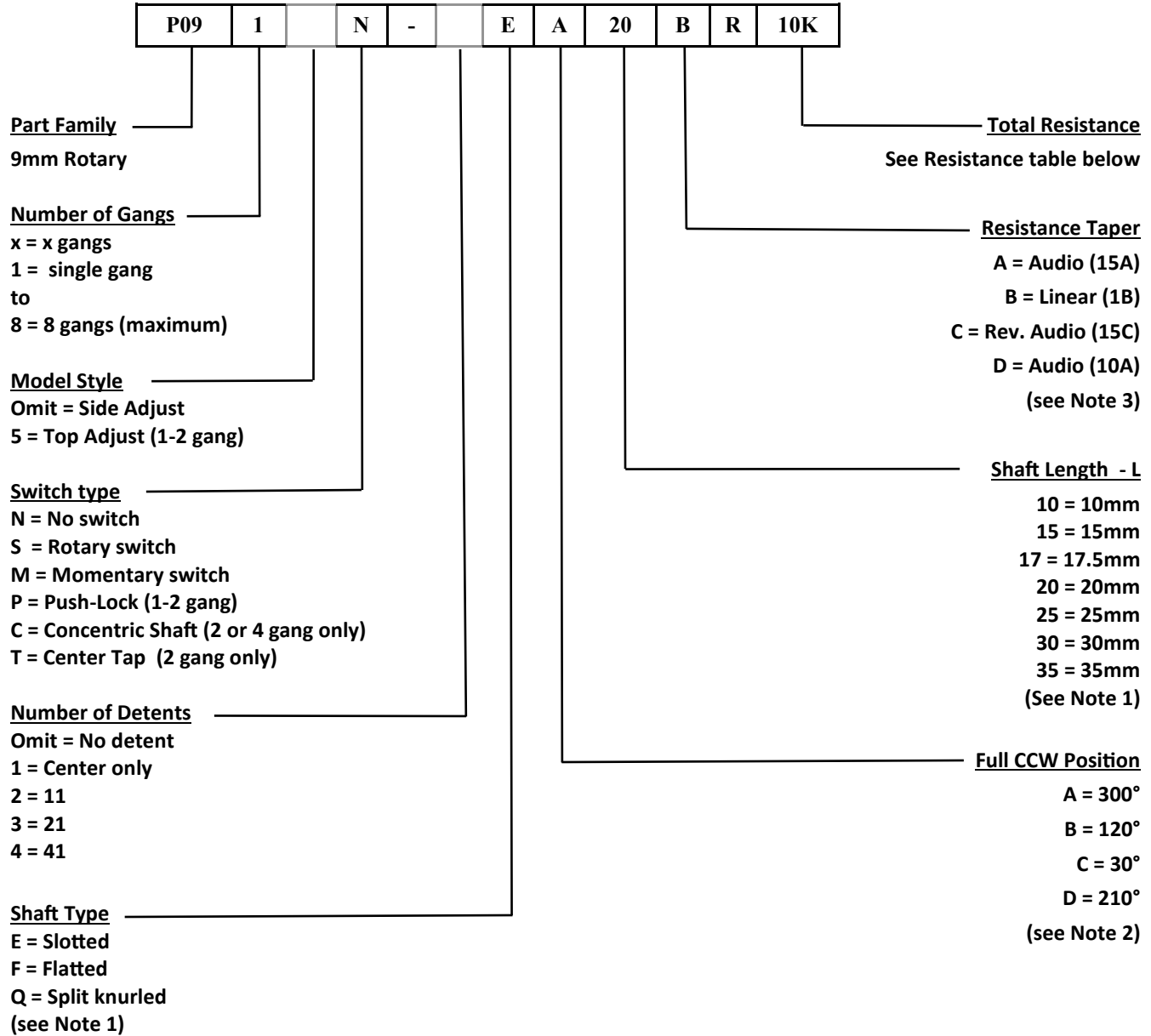
Operating Temperature	-10°C to 70°C
IP Rating	IP50
Soldering Condition	Compatible with Industry standard soldering processes: Manual: SAC 270 °C max. for 3 seconds. Wave: SAC 260 °C max. for 5 seconds.
RoHS	Please refer to TT Electronics Website
REACH	Please refer to TT Electronics Website

Panel Potentiometer

Model P09x Series



Ordering Information

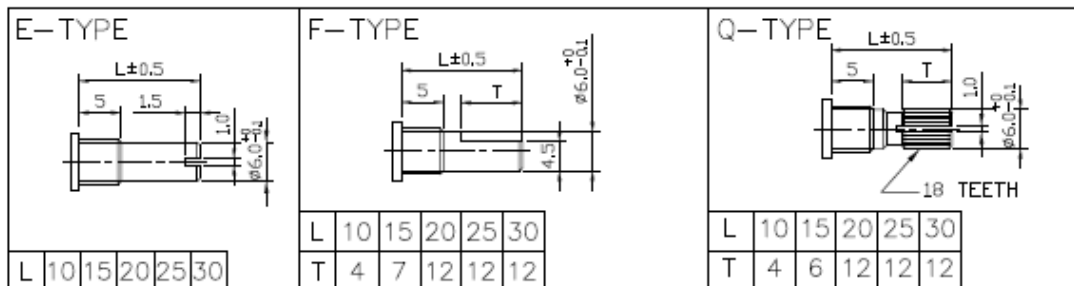


Resistance table										
Resistance (Ohms)	1,000	2,000	5,000	10,000	20,000	50,000	100,000	200,000	500,000	1,000,000
Code	1K	2K	5K	10K	20K	50K	100K	200K	500K	1MEG

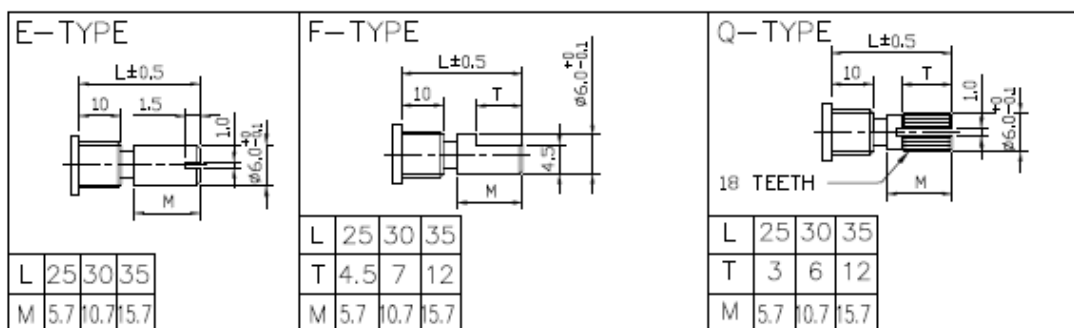
General Note
TT Electronics reserves the right to make changes in product specification without notice or liability. All information is subject to TT Electronics' own data and is considered accurate at time of going to print.

Note 1: Shaft type and Length

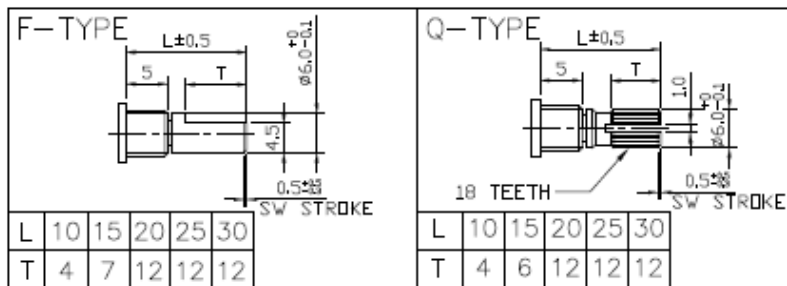
Shaft Types: P09xN, P09xS, P09x5N, P09xt



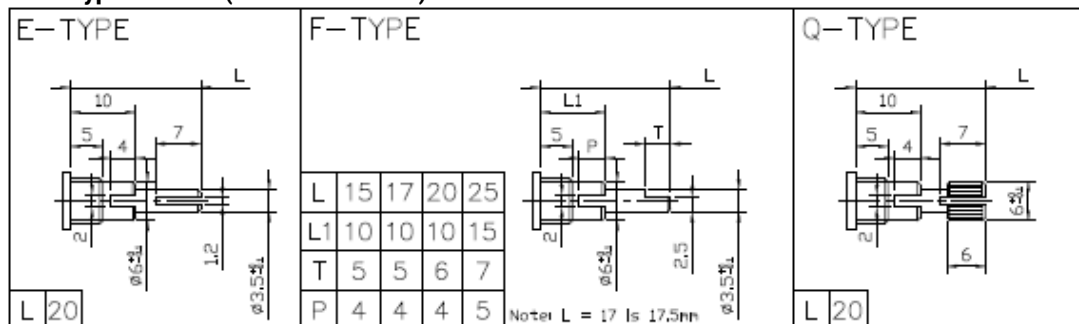
Shaft Types: P09xP (Push-Lock)



Shaft Types: P09xM (Momentary Switch)



Shaft Types: P09xC (Concentric Shafts)



General Note
 TT Electronics reserves the right to make changes in product specification without notice or liability. All information is subject to TT Electronics' own data and is considered accurate at time of going to print.

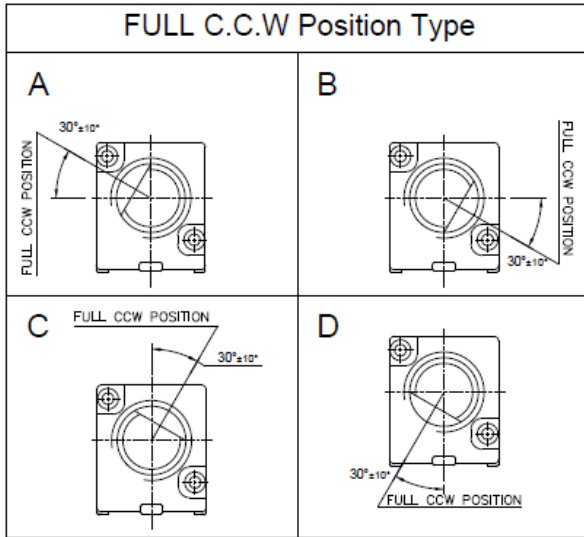
© TT electronics plc

TT Electronics | BI Technologies
 413 Rood RD, Suite 7
 Calexico, CA 92231
 Ph: +1 (714) 447-2345
 www.ttelectronics.com

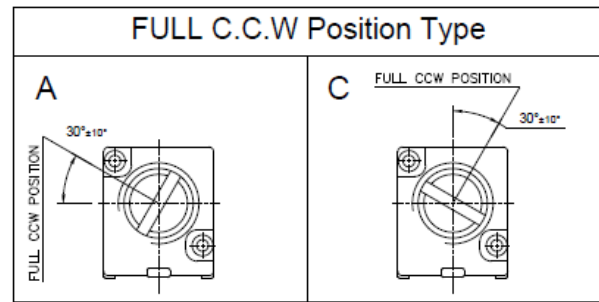
Note 2: Shaft Position

Models: P09xN, P09xS, P09xM, P09x5N, P09xP, P09xT

F Shaft Type

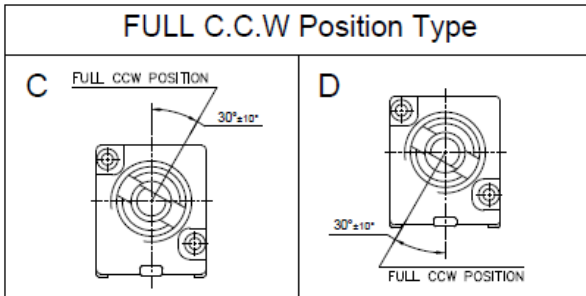


E /Q Shaft Type

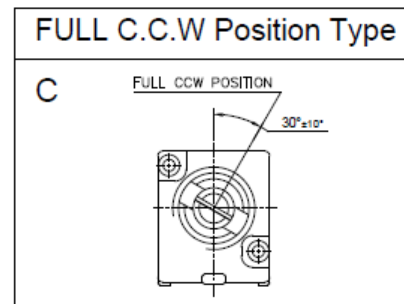


Models: P09xC

F Shaft Type



E /Q Shaft Type



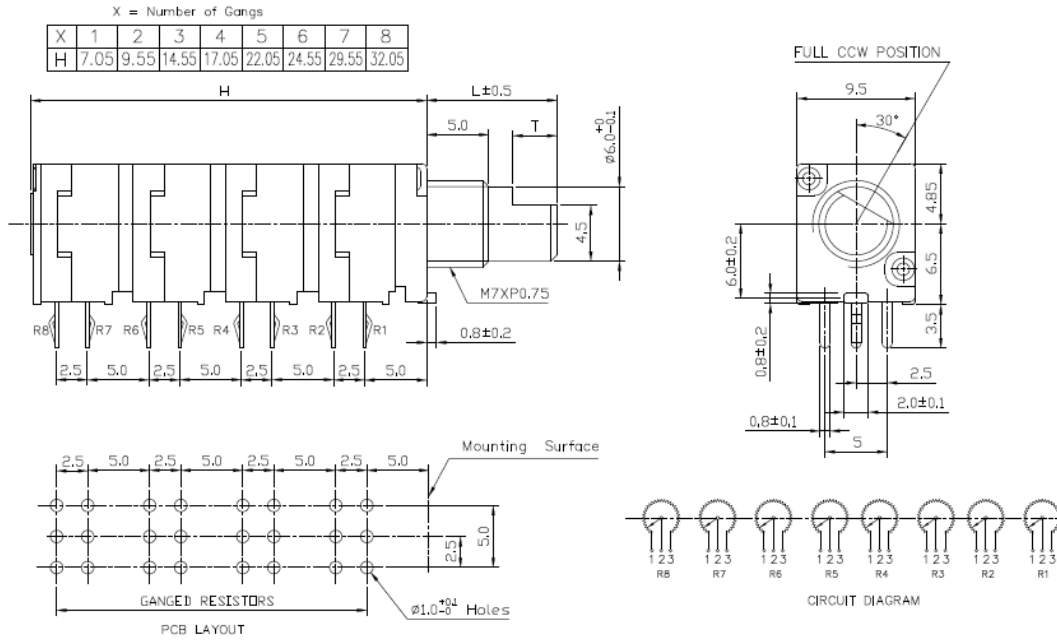
Panel Potentiometer

Model P09x Series

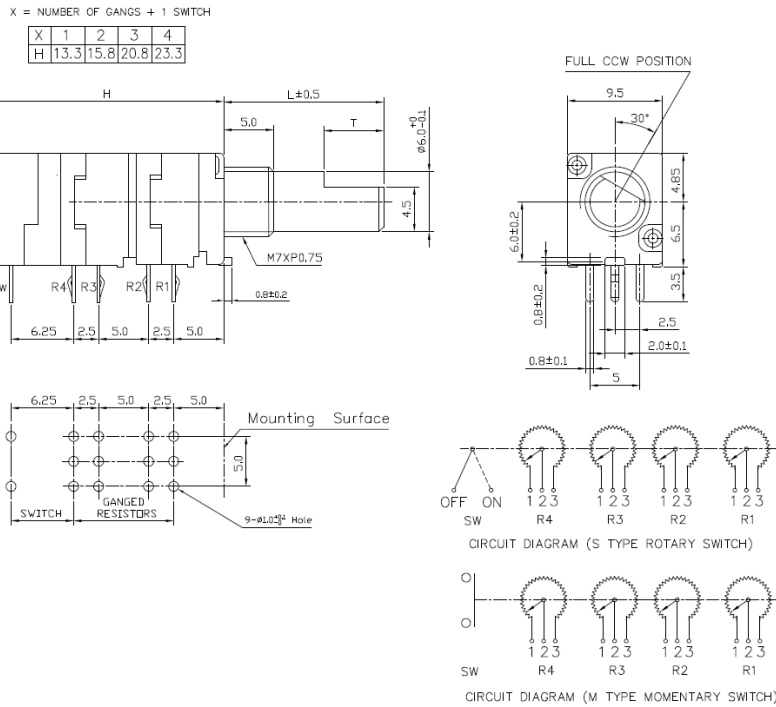


Outline Drawings

Model P09xN (Side Adjust, PCB pins, up to 8 gangs)



Model P09xS and P09xM (Side Adjust, PCB pins, up to 4 gangs with Switch)



General Note
TT Electronics reserves the right to make changes in product specification without notice or liability. All information is subject to TT Electronics' own data and is considered accurate at time of going to print.

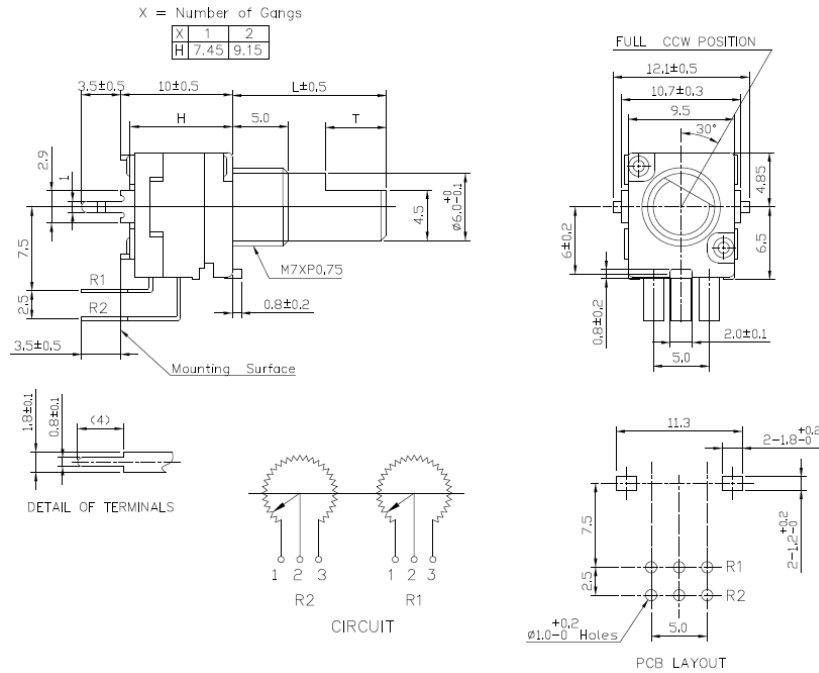
© TT electronics plc

TT Electronics | BI Technologies
413 Road RD, Suite 7
Calexico, CA 92231
Ph: + 1 (714) 447-2345
www.ttelectronics.com

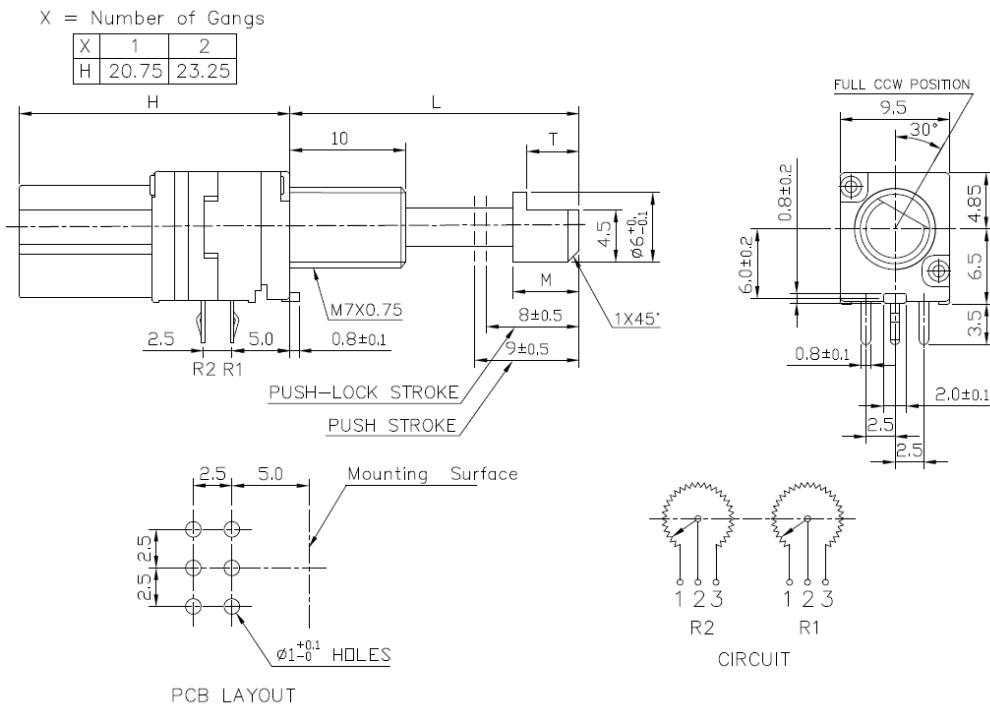
Rev - 04/2021 Page 6

Outline Drawings

Model P09x5N (Top Adjust, PCB pins, up to 2 gangs)



Model P09xP (Side Adjust, PCB pins, with Push-Lock, up to 2 gangs)



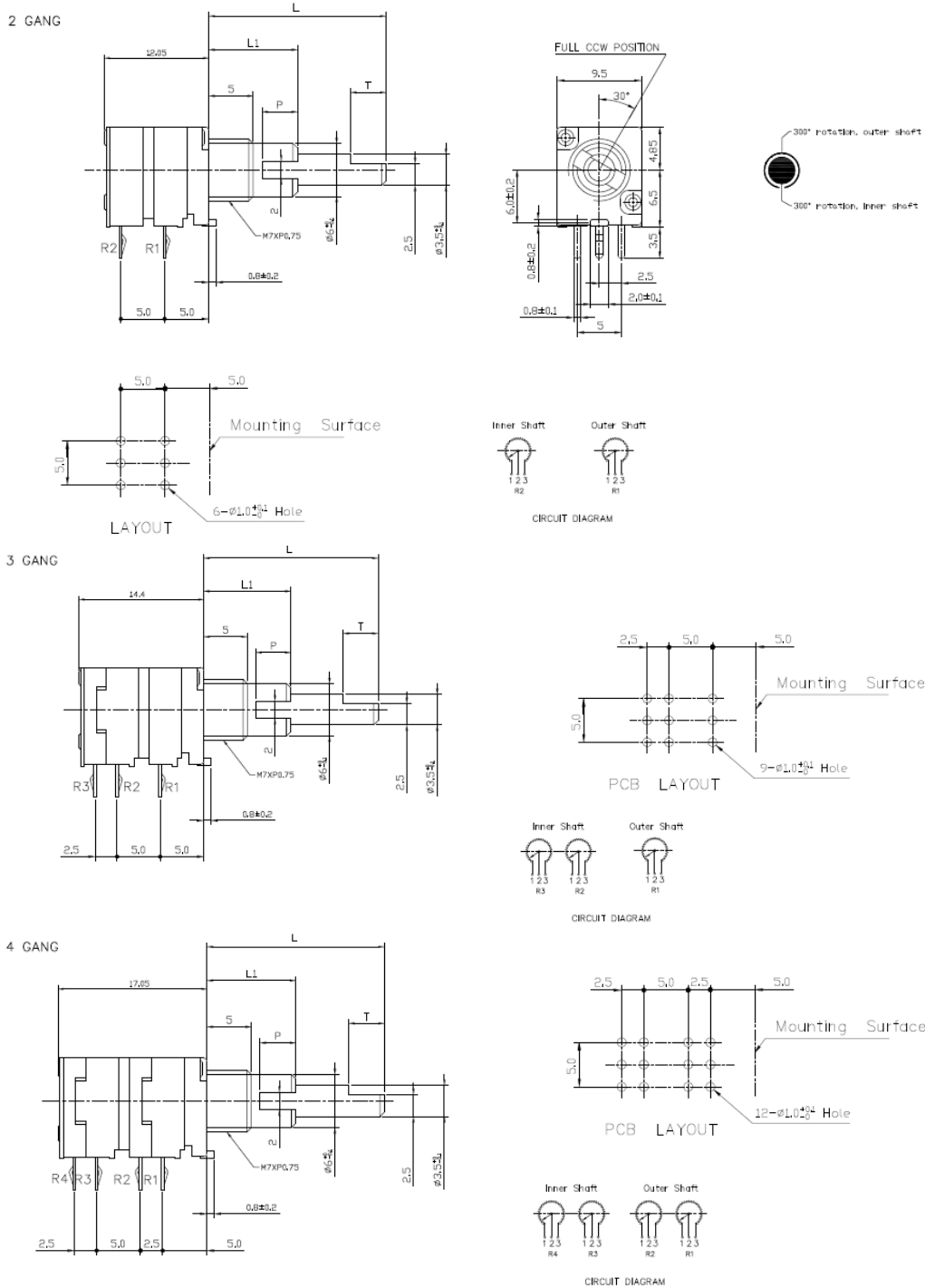
General Note
TT Electronics reserves the right to make changes in product specification without notice or liability. All information is subject to TT Electronics' own data and is considered accurate at time of going to print.

© TT electronics plc

TT Electronics | BI Technologies
413 Rood RD, Suite 7
Calexico, CA 92231
Ph: +1 (714) 447-2345
www.ttelectronics.com

Outline Drawings

Model P09xC (Side Adjust, PCB pins with Concentric Shaft, 2 to 4 gangs)



General Note
 TT Electronics reserves the right to make changes in product specification without notice or liability. All information is subject to TT Electronics' own data and is considered accurate at time of going to print.

© TT electronics plc

TT Electronics | BI Technologies
 413 Rood RD, Suite 7
 Calexico, CA 92231
 Ph: +1 (714) 447-2345
 www.ttelectronics.com

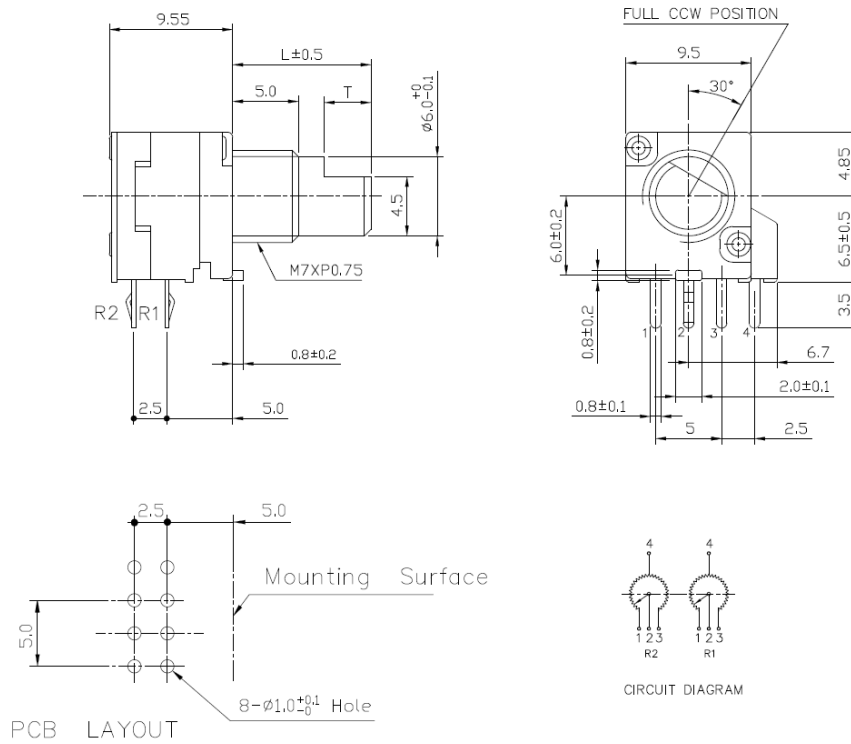
Panel Potentiometer

Model P09x Series

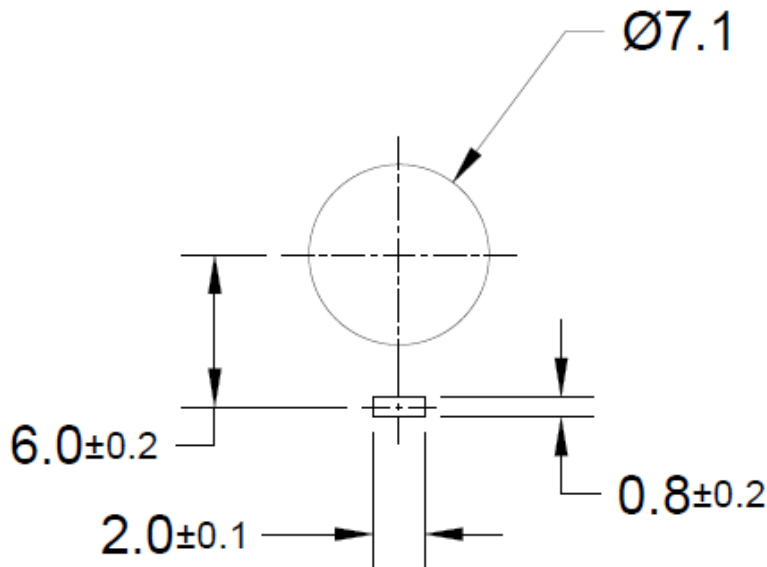


Outline Drawings

Model P09xT (Side Adjust, PCB pins, with Center Tap, 2 gangs only)



Panel Layout



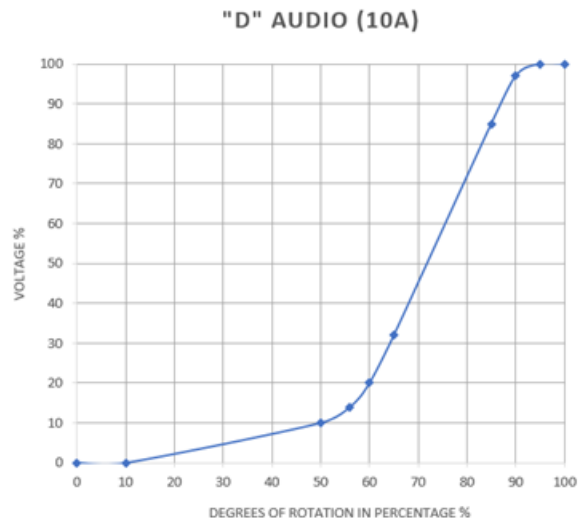
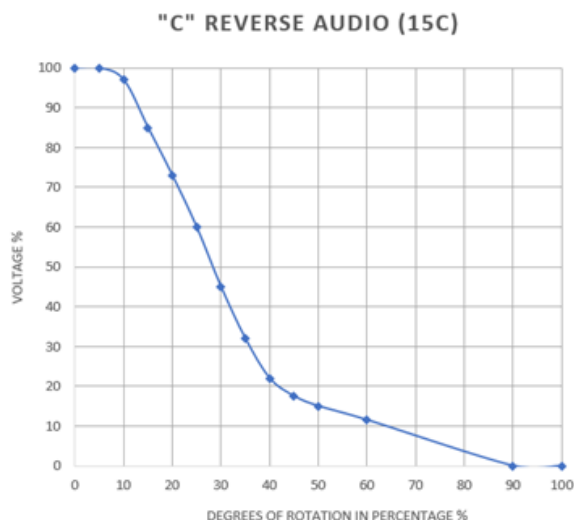
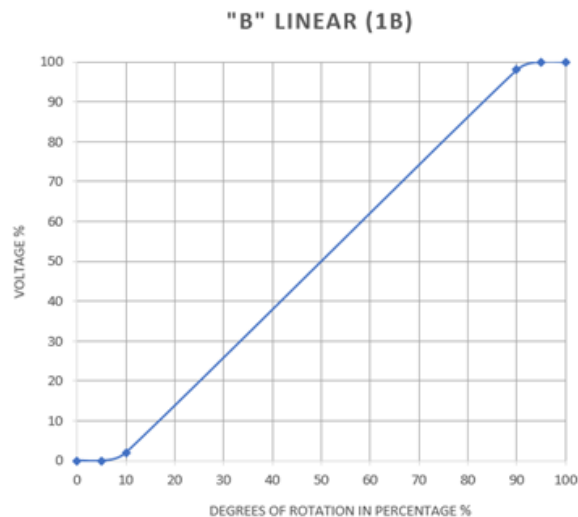
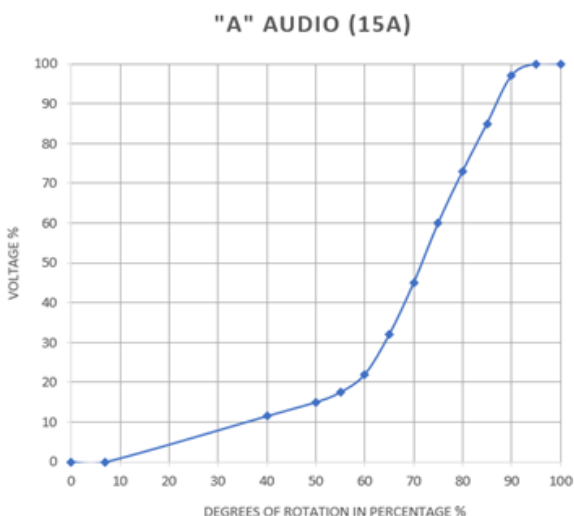
General Note
TT Electronics reserves the right to make changes in product specification without notice or liability. All information is subject to TT Electronics' own data and is considered accurate at time of going to print.

© TT electronics plc

TT Electronics | BI Technologies
413 Rood RD, Suite 7
Calexico, CA 92231
Ph: +1 (714) 447-2345
www.ttelectronics.com

Rev - 04/2021 Page 9

Note 3: Standard Tapers



Packaging

Standard Packaging	Plastic Trays
Hardware	Flat washer and mounting nut