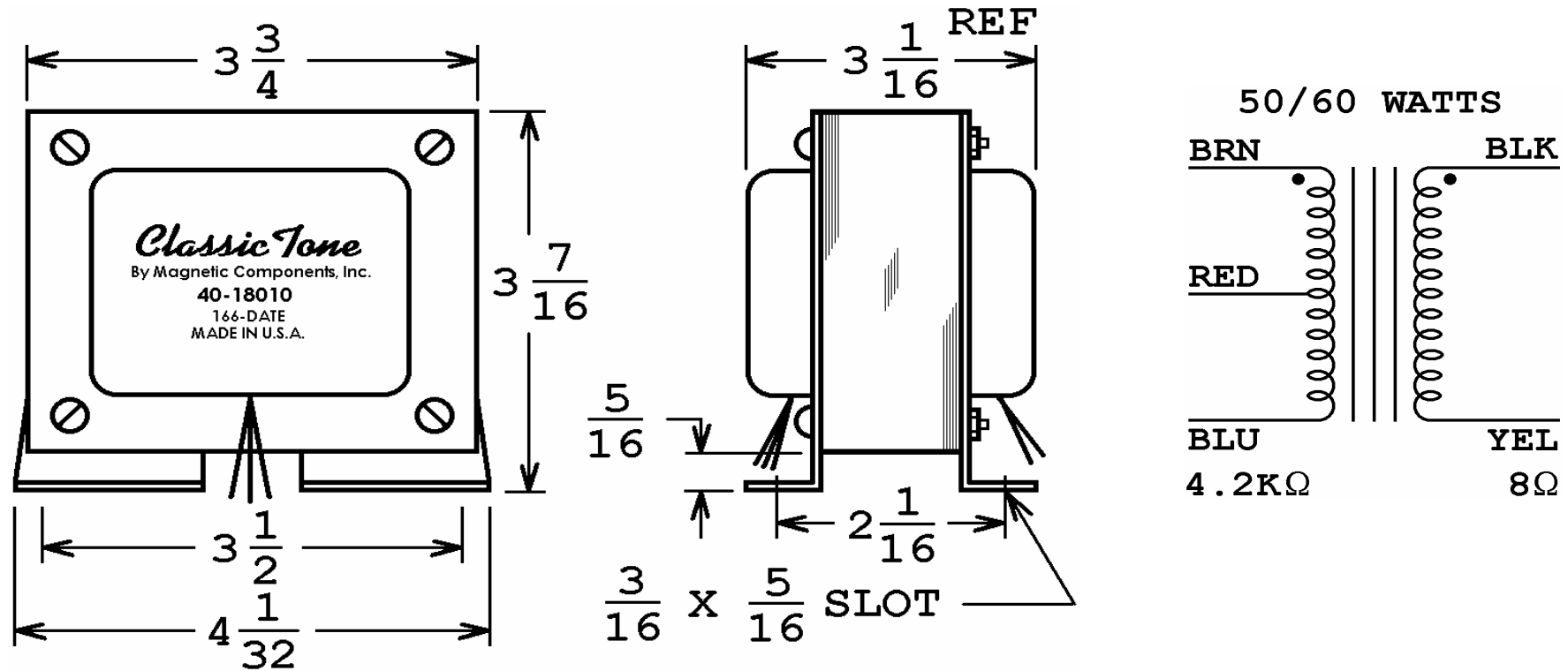


40-18010

This drawing is the property of Magnetic Components, Inc. and shall not be reproduced, in whole or in part, without the written permission of Magnetic Components, Inc.

LTR		DESCRIPTION		DATE	APPROVED
A		WAS 60W		09/13/11	M. Sacketti



UNLESS OTHERWISE SPECIFIED ALL DIMENSIONS IN INCHES DO NOT SCALE DRAWING FRACTIONS +/- .X = +/- .XX = +/- .XXX = +/- ANGLES = +/-	SIGNATURES		DATE	MAGNETIC COMPONENTS, INC.		DIV : LOC : SCHILLER PK	
	DRAWN : <i>M. Sacketti</i>		26 AUG 09	TITLE 50/60W OUTPUT			
	CHECK :						
	APPR : <i>M. Sacketti</i>		26 AUG 09	CAGE 50508	SIZE A	PART No. 40-18010	REV A
			SCALE NONE	SHEET :			