

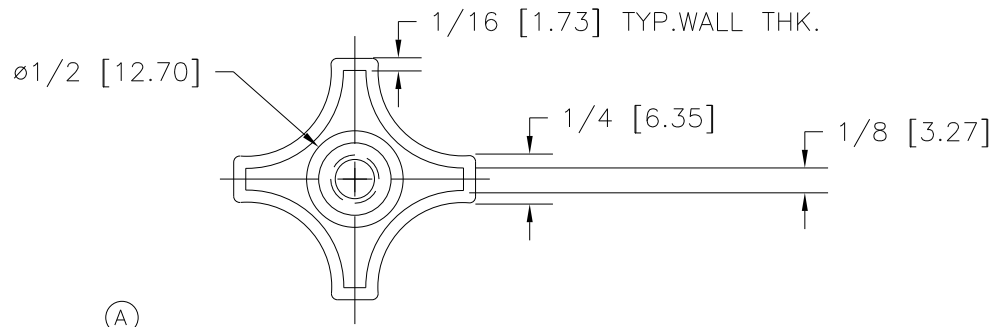
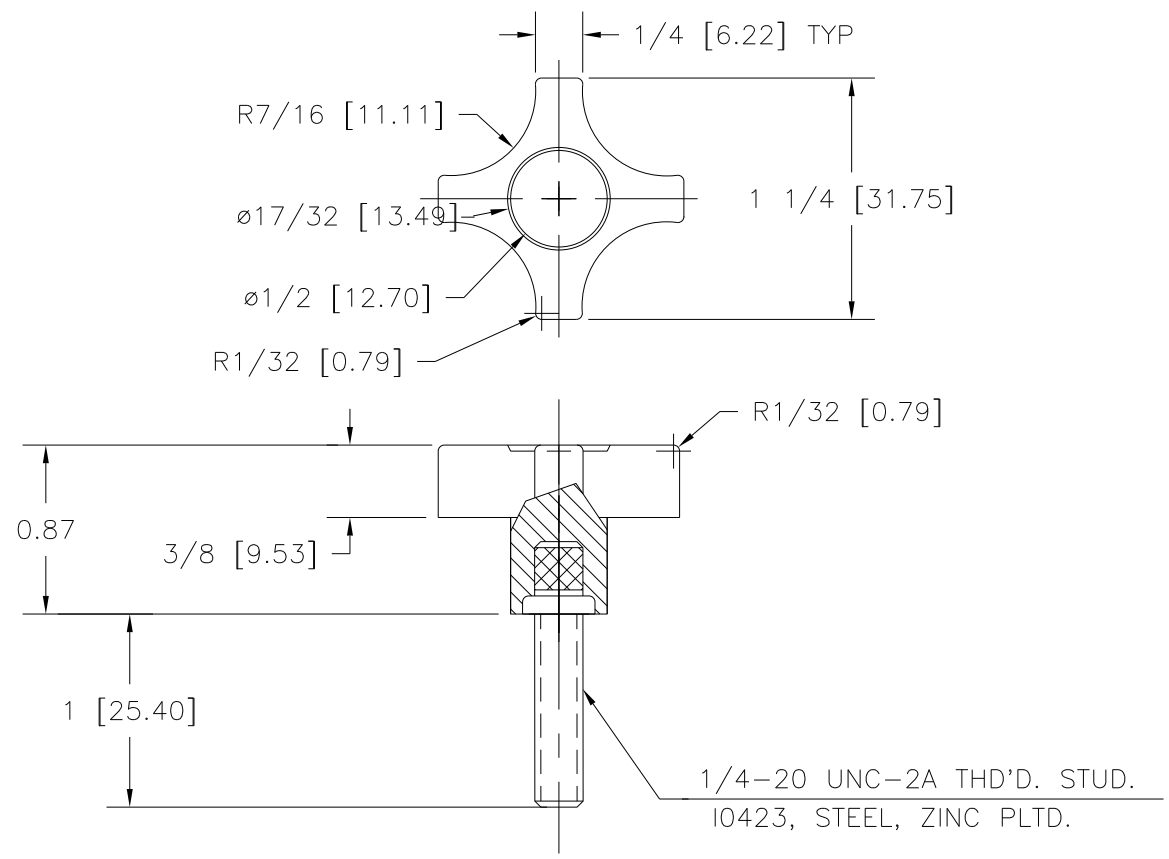
PART NAME: KNOB SCALE: 1:1 DATE: 3/17/94 DR. BY HD

THIS DRAWING IS THE PROPERTY OF DAVIES MOLDING COMPANY, IS SUBMITTED SOLELY AS A DESIGN OR ENGINEERING PROJECT. WE ACCEPT NO RESPONSIBILITY WHATSOEVER FOR THE PRACTICAL APPLICATION OF THE PIECES MADE TO THIS DESIGN.



DESIGNERS & MANUFACTURERS OF KNOBS, HANDLES, CASES & CUSTOM PLASTIC COMPONENTS

P/N	2810-R
M NO.	75
CAV.	2810
CORE	2810
CAV.PLUG	2810
SLEEVE	2810
PIN	2810-G
INSERT	I0423



(B) MATERIAL: NYLON 6/6 (ZY2), (ZY6)  
OR ENGINEERING APPROVED EQUIVALENT  
COLOR: BLACK

TOLERANCES: UNLESS OTHERWISE SPECIFIED	DO NOT SCALE DRAWING				
DECIMALS: X.XXX ± .005 X.XX ± .015	MM: X.XX ± 0.15MM X.X ± 0.4MM	B	ADDED ZY6	JAM	7/13/12
FRACTIONS ± 1/64	ANG. ± 1°	A	ADDED MAT. CODE	JAM	12/28/06
CHANGES					