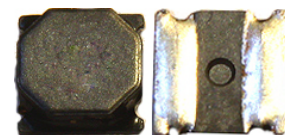


LOW PROFILE SHIELDED SMD CHIP POWER INDUCTOR



4.0 x 4.0 x 1.0mm

ASPI-0410FS



RoHS/RoHS II Compliant

FEATURES:

- Small size and low profile: 1.0mm
- Small DCR and high rated current
- High reliability to mechanical stress
- Magnetically shielded by magnetic powder molding
- Suitable for RoHS reflow profile

APPLICATIONS:

- Mobile phones
- MP3 & 4 and other portable communication equipment
- Digital cameras.

ELECTRICAL SPECIFICATIONS:

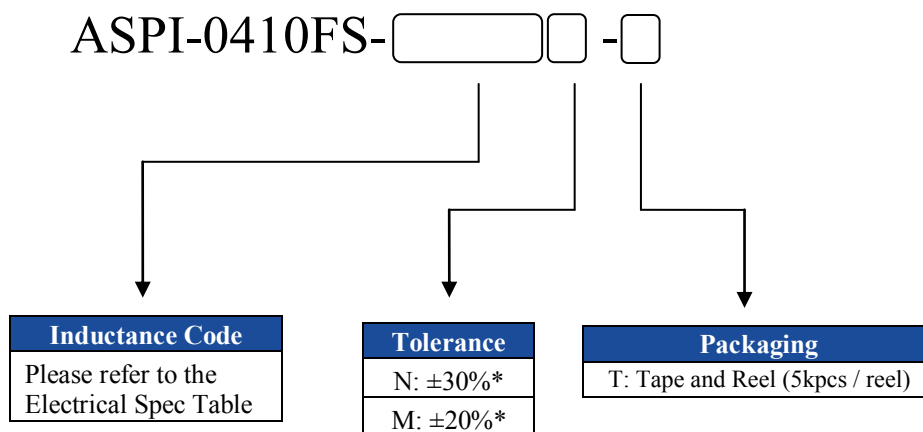
Abrakon P/N:	ASPI-0410FS Series
Operating Temperature & Humidity	-40°C to +125°C (Including self generated heat)
Storage Temperature and Humidity in Tape and Reel	-40°C to +125°C

Part Number ASPI-0410FS- Inductance Code	Inductance	Inductance Tolerance	DCR max	Rated DC Current max.
Units	μH	%	mΩ	A
Symbol	L	M	DCR	IDC
ASPI-0410FS-1R0	1.0	N	100	1.80
ASPI-0410FS-2R2	2.2	N	150	1.15
ASPI-0410FS-3R3	3.3	M	180	1.10
ASPI-0410FS-4R7	4.7	M	210	0.90
ASPI-0410FS-6R8	6.8	M	300	0.74
ASPI-0410FS-100	10	M	380	0.56
ASPI-0410FS-150	15	M	510	0.47
ASPI-0410FS-220	22	M	870	0.36

Test Conditions and Equipments

1. Rated DC Current: The current when the inductance becomes 30% lower than its initial value.
2. L: HP4284A LCR meter, 100KHz, 0.25Vrms
3. DCR: milli-ohm meter

PART IDENTIFICATIONS:

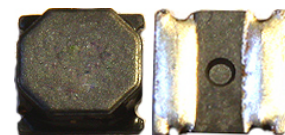


*N for L = 1.0 and 2.2μH

*M for L = 2.2 ~ 47μH

REVISED: 12.03.2019

LOW PROFILE SHIELDED SMD CHIP POWER INDUCTOR

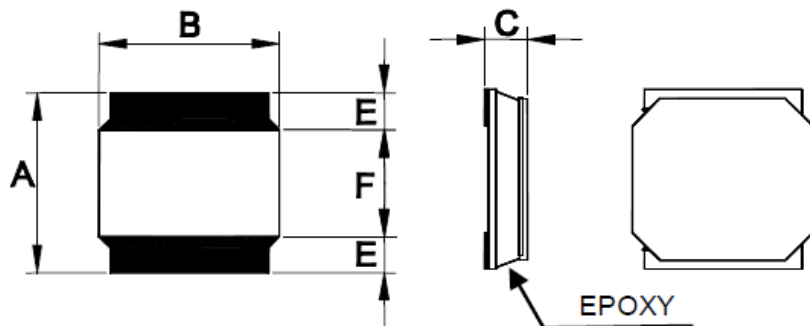


4.0 x 4.0 x 1.0mm

ASPI-0410FS

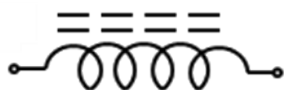
Pb | RoHS/RoHS II Compliant

OUTLINE DIMENSION:



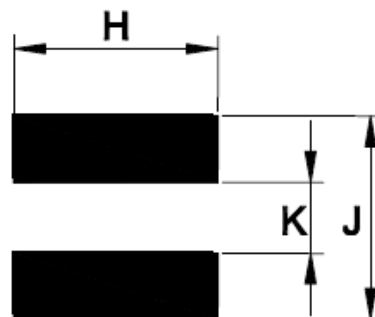
A	B	C max.	E	F
4.0±0.2	4.0±0.2	1.0	1.1±0.2	2.5±0.2

Circuit Schematic



No Polarity

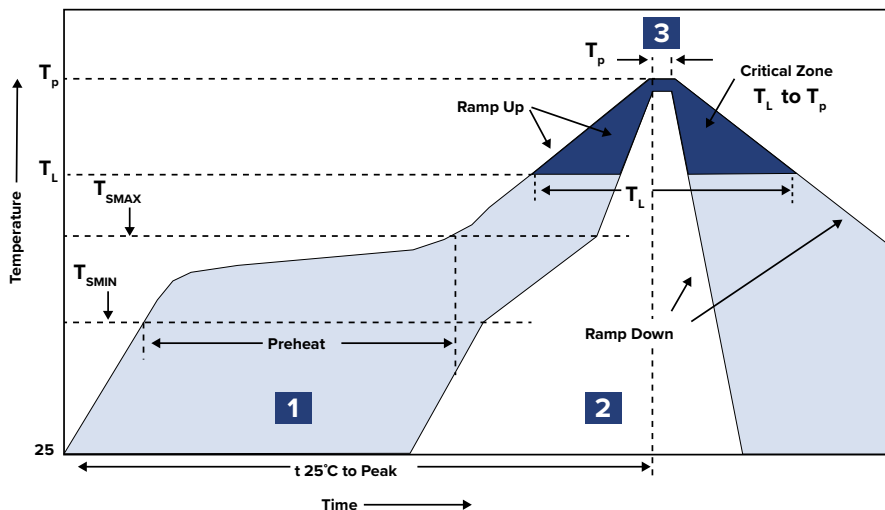
Recommended Land Pattern



H	J	K
3.7	4.0	1.2

Dimension: mm

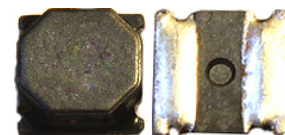
REFLOW PROFILE:



Zone	Description	Temperature	Time
1	Preheat / Soak	$T_{S\text{MAX}}$ 150°C ~ 180°C	90 ~ 120 sec.
2	Reflow	T_L 220°C	60 sec. MAX
3	Peak heat	T_P 265°C	10 sec. MAX

REVISED: 12.03.2019

LOW PROFILE SHIELDED SMD CHIP POWER INDUCTOR



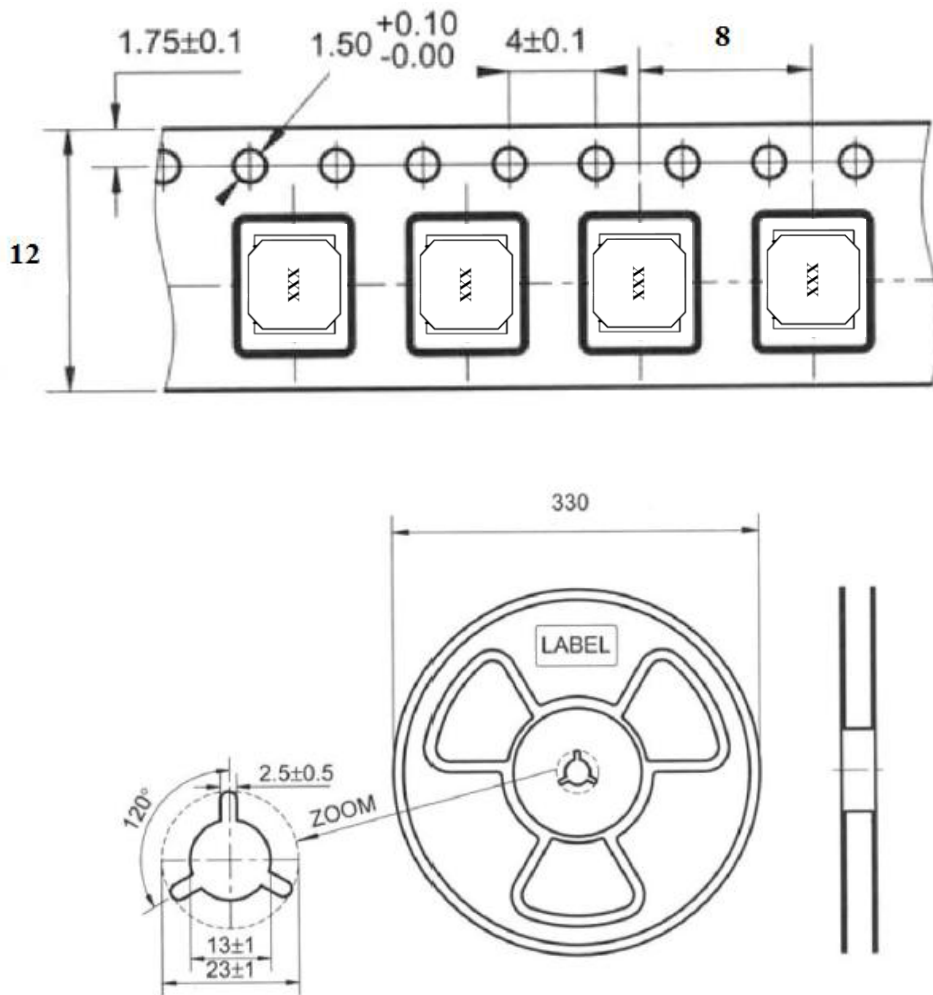
4.0 x 4.0 x 1.0mm

ASPI-0410FS

 RoHS/RoHS II Compliant

TAPE & REEL:

T: 5,000pcs / reel



Dimension: mm

ATTENTION: Abracon LLC's products are COTS – Commercial-Off-The-Shelf products; suitable for Commercial, Industrial and, where designated, Automotive Applications. Abracon's products are not specifically designed for Military, Aviation, Aerospace, Life-dependent Medical applications or any application requiring high reliability where component failure could result in loss of life and/or property. For applications requiring high reliability and/or presenting an extreme operating environment, written consent and authorization from Abracon LLC is required. Please contact Abracon LLC for more information.

REVISED: 12.03.2019



5101 Hidden Creek Lane Spicewood TX 78669
Phone: 512-371-6159 | Fax: 512-351-8858
For terms and conditions of sale please visit:
www.abracon.com

ABRACON IS
ISO9001-2015
CERTIFIED