

# MANUAL PULSE GENERATOR

## (PANEL-MOUNTED HANDWHEEL)

### iHDW-AX Series

**Suitable for CNC lathes or small machines.**  
**Easy for operators to do axial adjustment.**



### Features

- Oil & waterproof design
- 25 PPR or 100 PPR available
- Short body and light weight design
- Power supply system DC 5V / DC 12V / DC 24V
- Provide  $\varnothing 60$  and  $\varnothing 80$ mm handle wheels to choose
- Multiple output types suit for many CNC controllers
- Protect inversion of polarity



**FUTURE LIFE TECHNOLOGY CO., LTD.**

13Fl, No. 963, Jong-Jeng Rd., Jong-Ho Dist., New Taipei City, Taiwan 23544

TEL : 886 + 2-8227-5339 FAX : 886 + 2-8227-5572 Email : amaker@ms24.hinet.net



MANUAL PULSE GENERATOR

## Ordering Information

iHDW	A	A	60
SERIES NAME	MODEL	TYPE	DIAMETER
iHDW	A		
		Type	Diameter
		Specification	Handwheel Diameter
		Power	60
		Pulse	Ø60mm
		Output	80
			Ø80mm
		A	5V
			100PPR
			R330
		B	5V
			25PPR
			R330
		C	12V
			100PPR
			R2.0K
		D	12V
			25PPR
			R2.0K
		E	5V
			100PPR
			DIFF
		F	5V
			25PPR
			DIFF
		G	24V
			100PPR
			R2.0K
		H	24V
			25PPR
			R2.0K

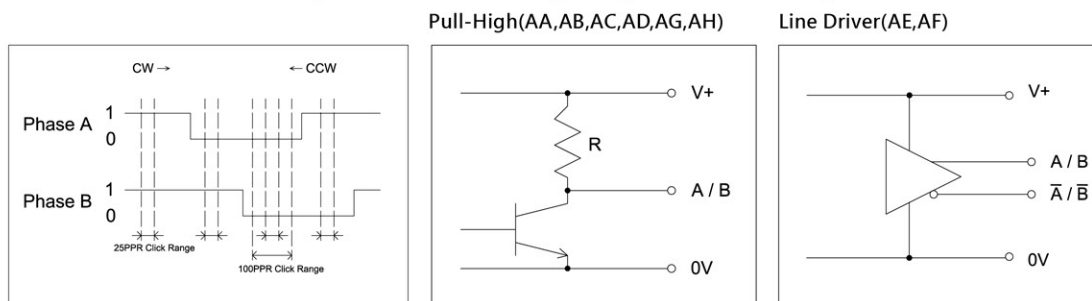
## Specification

Type	AA, AB	AC, AD	AG, AH	AE, AF
Power Source Current : Standard	DC 5V±10% 100mA max	DC 12V±10% 100mA max	DC 24V±10% 100mA max.	DC 5V±10% 150mA max.(90mA typ.)
Output Type	330Ω Pull-High	2.0KΩ Pull-High	Line Driver Terminal Resistor at receiving end 100Ω	
Output Voltage (Pull-High)	High Level : Voltage -0.5V min. Low Level : 0.4V max. (Unloaded)			
Pulse	100 Pulse / 100 PPR or 25 Pulse / 100 PPR			
Response	5KHz			
Rotating Torque	250 ~ 450 gf•cm			
Rotating Life	1,000,000 min.			
Operating Temperature	0°C / + 50°C			
Storage Temperature	-10°C / +60°C (w/o condensation)			
Shock	0.5G - Vibration , 2G - Shock			
Weight	150g (AX-60) , 250g (AX-80)			

## Waveform

Clockwise, phase A is rising as phase B is low (0).

Counter-clockwise, phase A is rising as phase B is high (1).



## External Dimensions & Cutout (mm)

