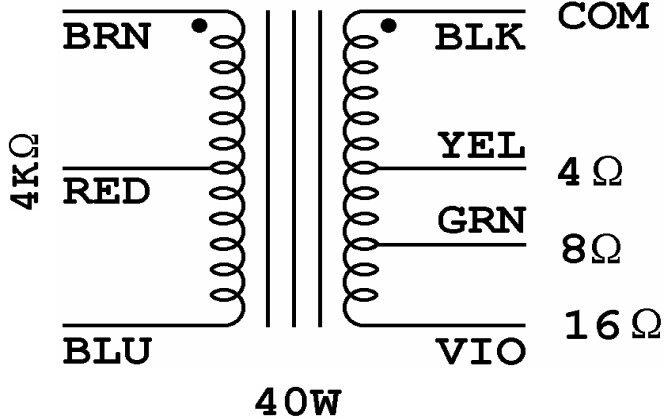
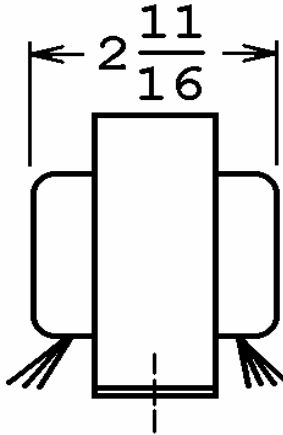
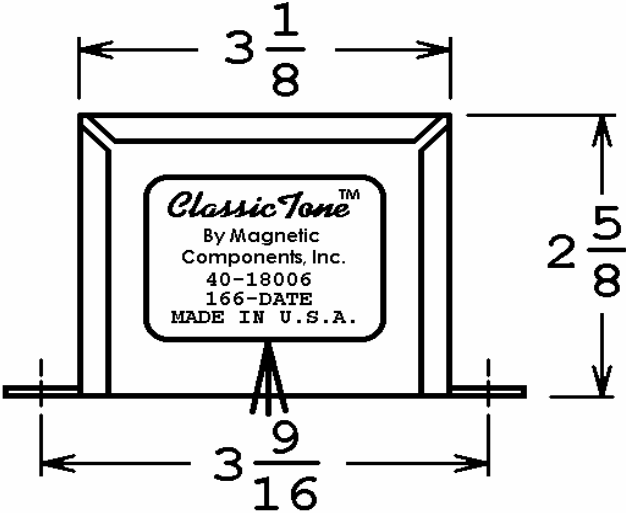


40-18006

This drawing is the property of Magnetic Components, Inc. and shall not be reproduced, in whole or in part, without the written permission of Magnetic Components, Inc.

REVISIONS			
LTR	DESCRIPTION	DATE	APPROVED
A	ADD PRIMARY IMPEDANCE	9/2/2009	M.S.
B	ADD ClassicTone, 40W	1/6/2010	M.S.



UNLESS OTHERWISE SPECIFIED ALL DIMENSIONS IN INCHES DO NOT SCALE DRAWING FRACTIONS +/- .X = +/- .XX = +/- .XXX = +/- ANGLES = +/-	SIGNATURES		DATE	MAGNETIC COMPONENTS, INC.	DIV : LOC : SCHILLER PK		
	DRAWN : <i>M.S.</i>		07 AUG 09	TITLE OUTPUT TRANSFORMER			
	CHECK :						
	APPR : <i>M. S. Lopez</i>		07 AUG 09	CAGE 50508	SIZE A	PART No. 40-18006	REV B
				SCALE NONE			SHEET :