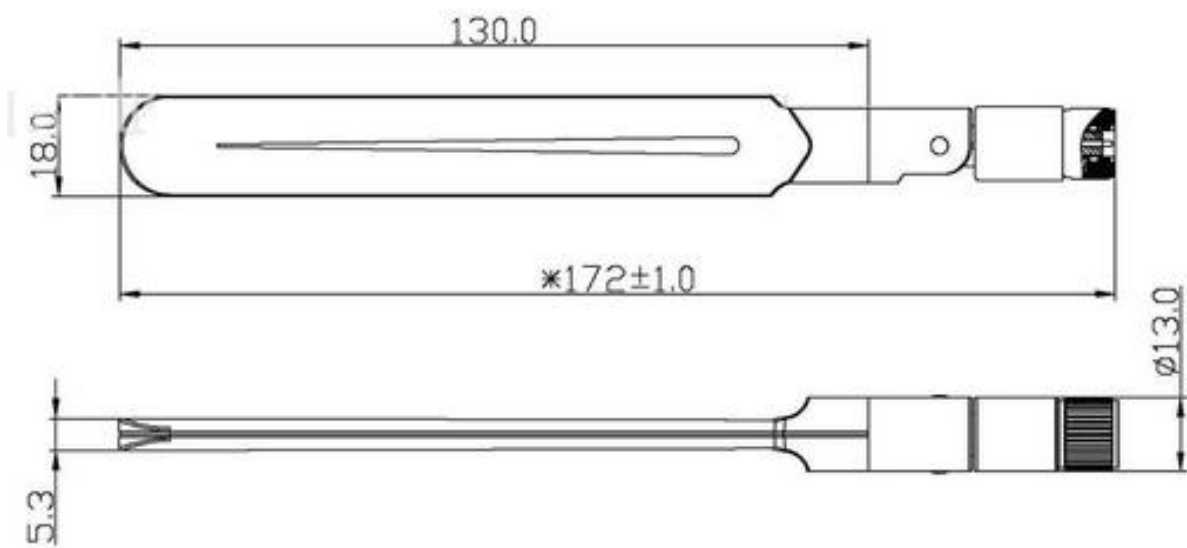


LTE Antenna

JCG913L



DIMENSIONS





Jinchang Electron Global Service

SPECIFICATIONS

Item		Specifications
Antenna	Frequency Range	698~960MHz/1.71~2.7GHz
	Polarization	Linear
	Gain	5dBi
	V.S.W.R	<2.0
	Impedance	50 Ω
	Connector	SMA Male
Environmental	Operating Temperature	-10°C~+60°C
	Vibration	10 to 55Hz with 1.5mm amplitude 2hours
	Environmentally Friendly	ROHS Compliant

JIAXING JINCHANG ELECTRONIC TECHNOLOGY CO.,LTD

Add: 398#, Zhenye Road, South Street, Jiaying, Zhejiang, China

Http:// www.jinchanggps.com

E-mail: jcgps@vip.163.com

Tel: 86-0573-83692157/83692605/83958637 Fax: 86-0573-83958635