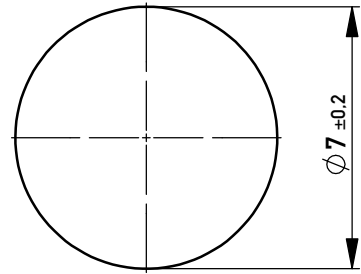
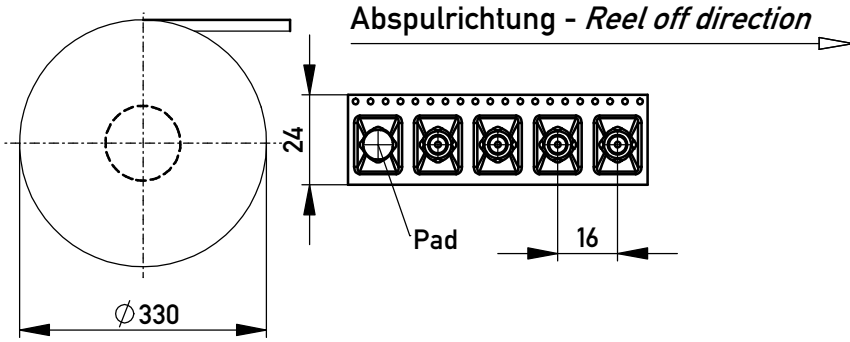
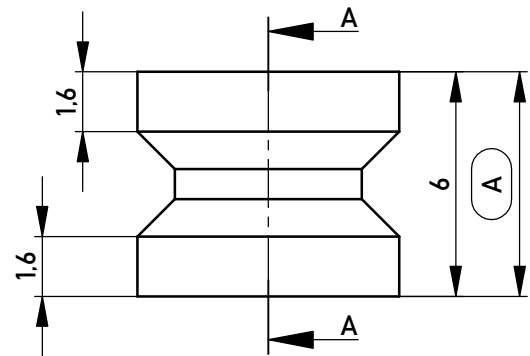
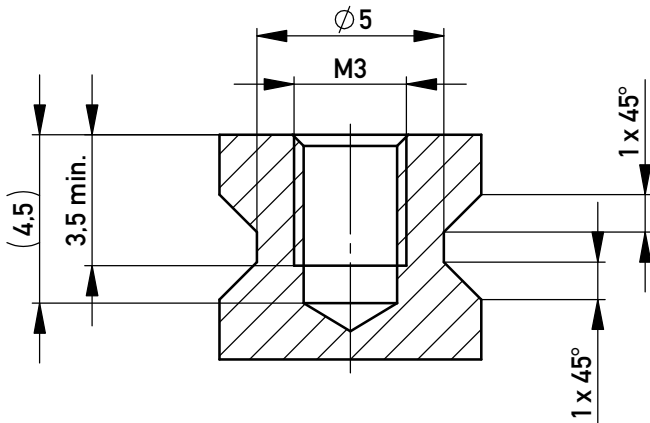


Verpackt im Gurt in Anlehnung an DIN IEC 60286-3  
*tape on reel packaging according to DIN IEC 60286-3*  
 Verpackungseinheit: 400 Stück  
*packaging unit: 400 pcs*

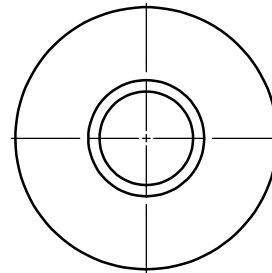
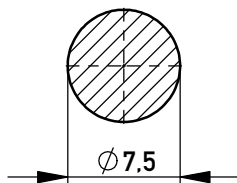


Schnitt A-A /  
*cross section A-A*



Layout - Vorschlag  
*PCB - Layout proposal*  
 M 2:1  
*scale 2:1*

M 2:1 / *scale 2:1*



5-10µm Sn matt über 1-3µm Ni /  
 5-10µm sn matt over 1-3µm ni

Oberfläche (A) / *plating (A)*

Copyright by ERNI Production GmbH & Co. KG  
 Proprietary notice pursuant to ISO 16016 to be observed.

Information:		Tolerances	Scale	5:1
All rights reserved. Only for Information. To ensure that this is the latest version of this drawing, please contact one of the ERNI companies before using.		 All Dimensions in mm	Material:	CuZn39Pb3
			Designation	<b>PowerElement SMD</b> <b>female thread M3</b>
b	09.05.2017	 www.ERNI.com	<b>225856</b>	
Index	Date			
			I A4	