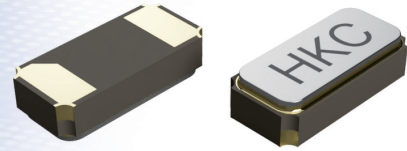




## Ceramic SMD Crystals 3215SX Series

Model M8 3.2 x 1.5 Ceramic SMD



**Frequency Range :** 32.768KHz

### Features :

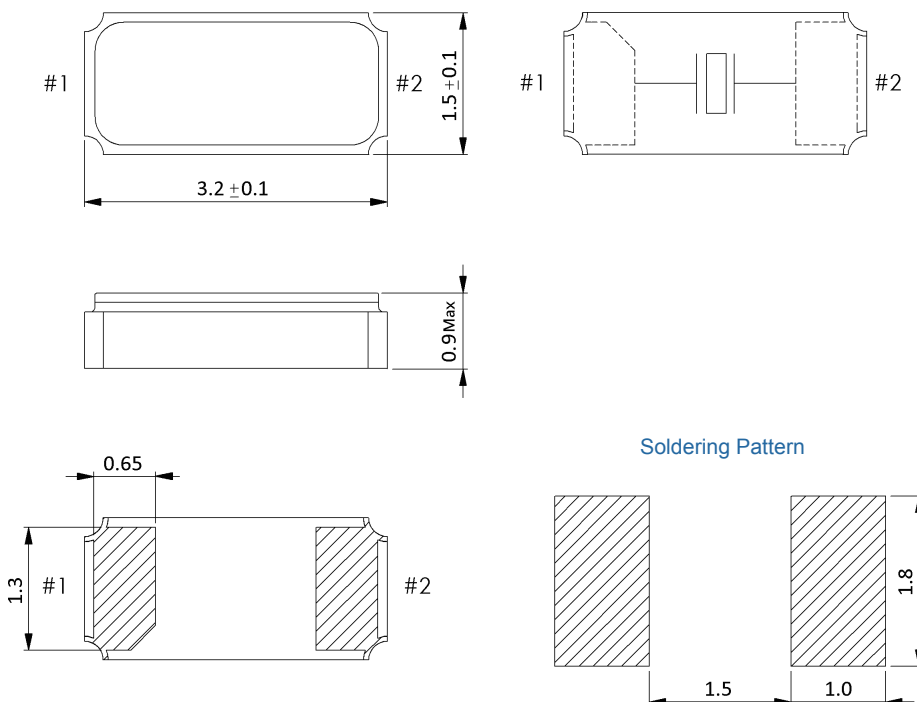
- High reliability & low cost unit
- Compact design
- RoHS compliant
- Lead free
- 260°C reflow compatible
- For automotive applications, please contact our sales representatives

QUARTZ  
CRYSTALS

### Standard Specifications

Item	Value
Frequency Range	32.768KHz
ESR	70kOhm Max.
Frequency Tolerance	±20ppm (or specify)
Temperature Coefficient	-0.040±0.006ppm/°C <sup>2</sup>
Operating Temperature Range	-20°C to +70°C (or specify)
Operable Temperature Range	-40°C to +85°C
Turnover Temperature	25°C±5°C
Drive Level	0.1uW Typ. (0.5uW Max.)
Load Capacitance	12.5pF (or specify)
Shunt Capacitance	1.8pF Max.

### Dimension



Note :

1. Manufacturer reserves the right to change the specification and content of this product for improvement without notification.
2. Custom specification is welcome. Please contact our sales representative for further details.
3. If the crystal is intended for applications which have direct impact on human life and properties, and require a high degree of reliability and safety concerns, customers must provide full information such as but not limit to the application, electrical and reliability specification at the inquiry beginning stage.
4. Customers have to agree to the "Guideline for handling crystal units" and "Standard Terms and Condition of Sales" which is printed this catalog before placing orders to our company or our distributors. There are also unpredictable factors such as applied condition, oscillation margin and etc and customers must check them beforehand. In case of queries, please do not fail to send inquiry to our company before ordering.

