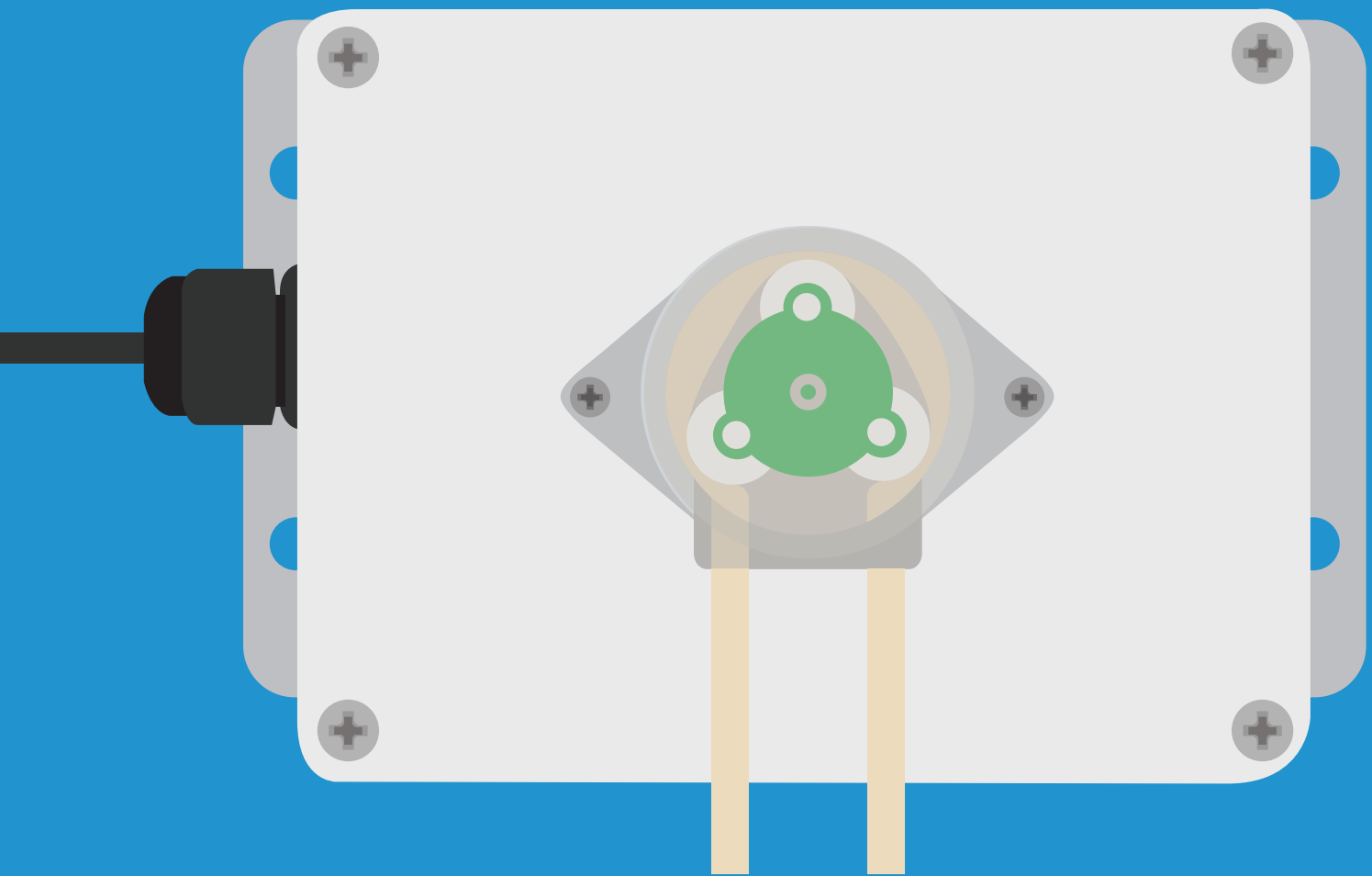
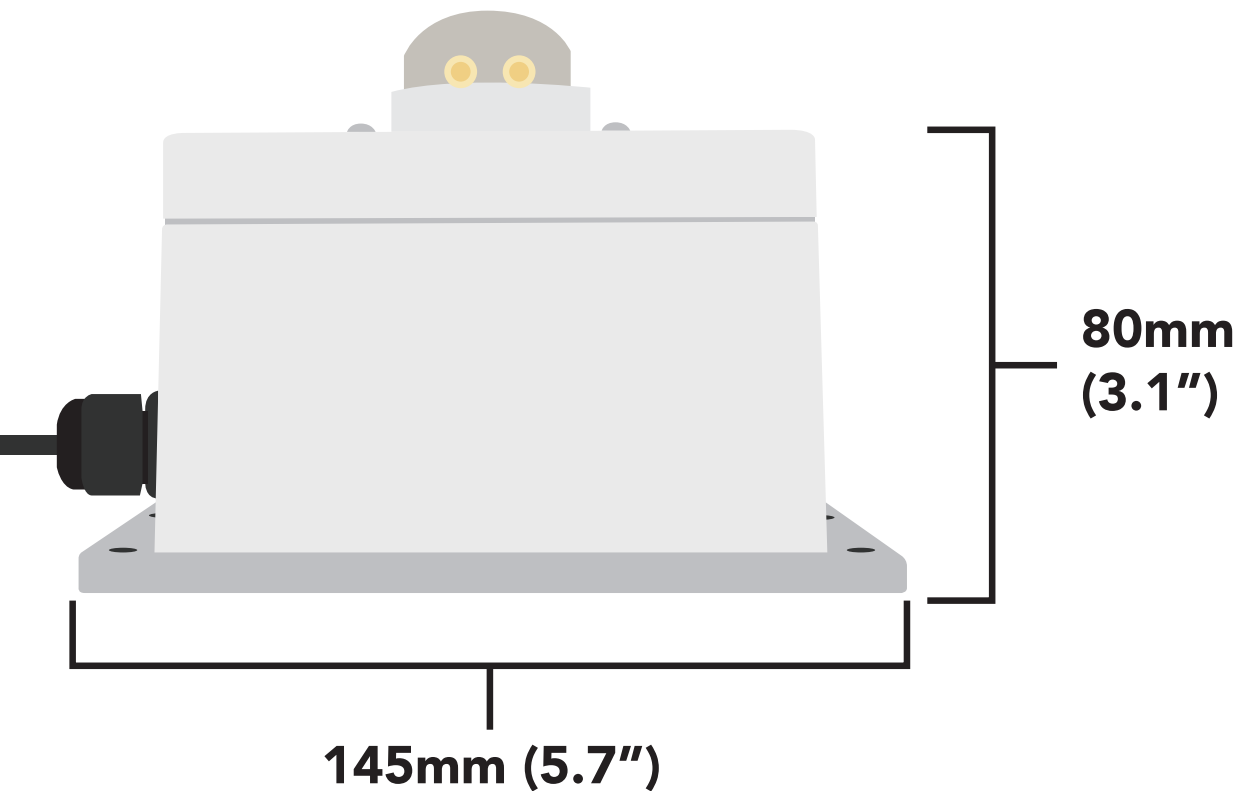
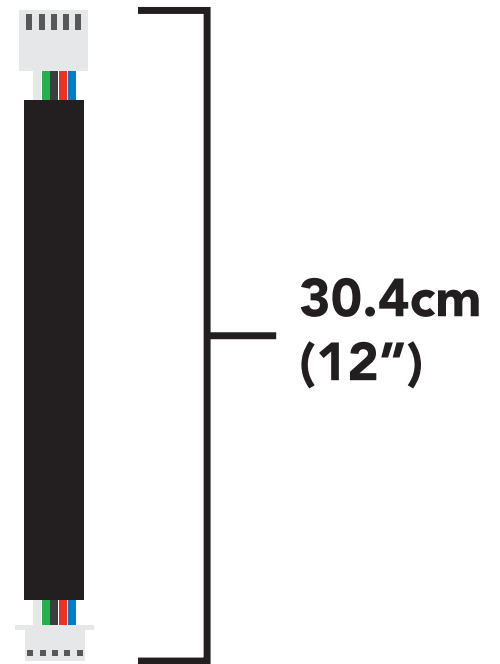
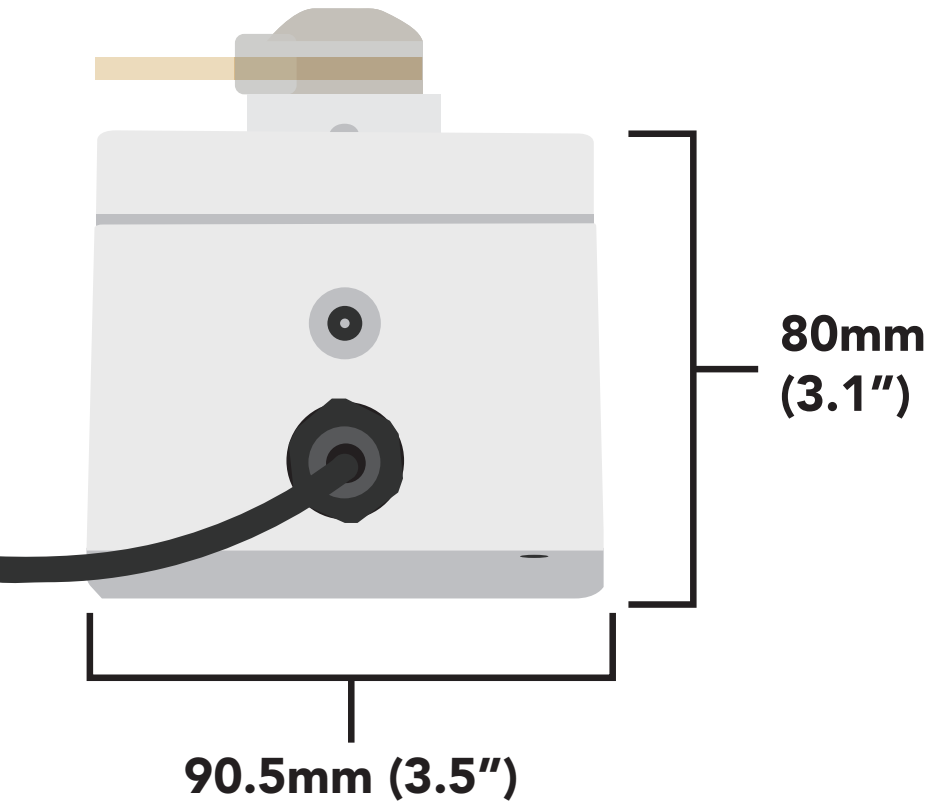


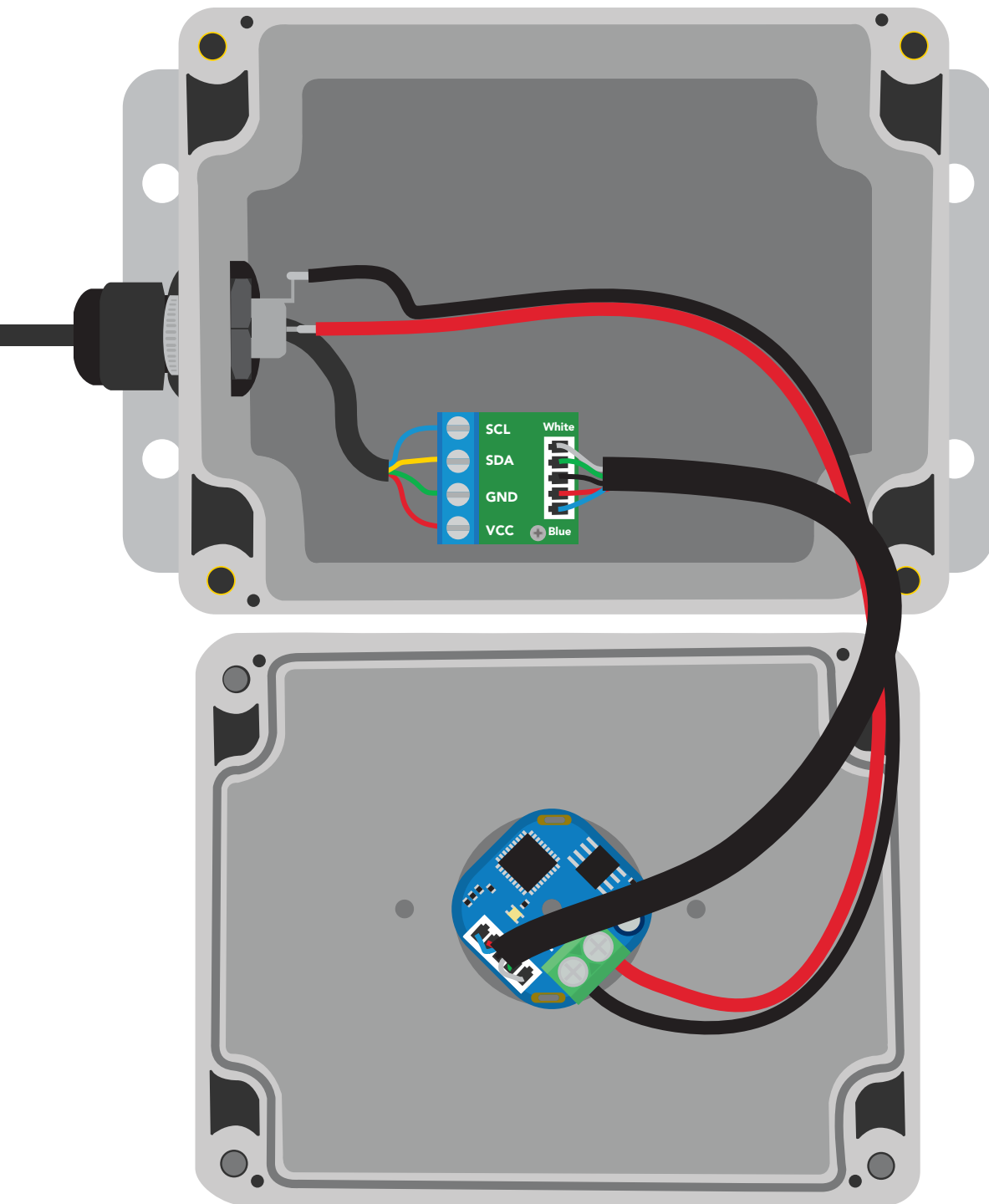
EZO-PMPTM

Advanced Kit



Enclosure Measurements





Attention

The EZO-PMP™ in this kit is set to I2C mode as its default. Protocol lock is enabled; For more information about how to communicate with the pump and to disable the Protocol lock, refer to the datasheet found [here](#).

Remember, this pump is set to I2C mode by default. You can change it to UART mode by following the instructions in the linked datasheet.