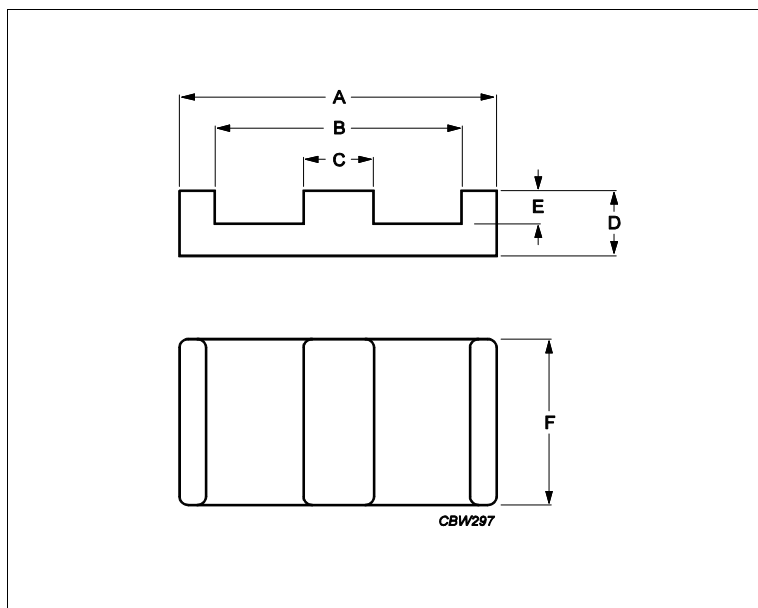
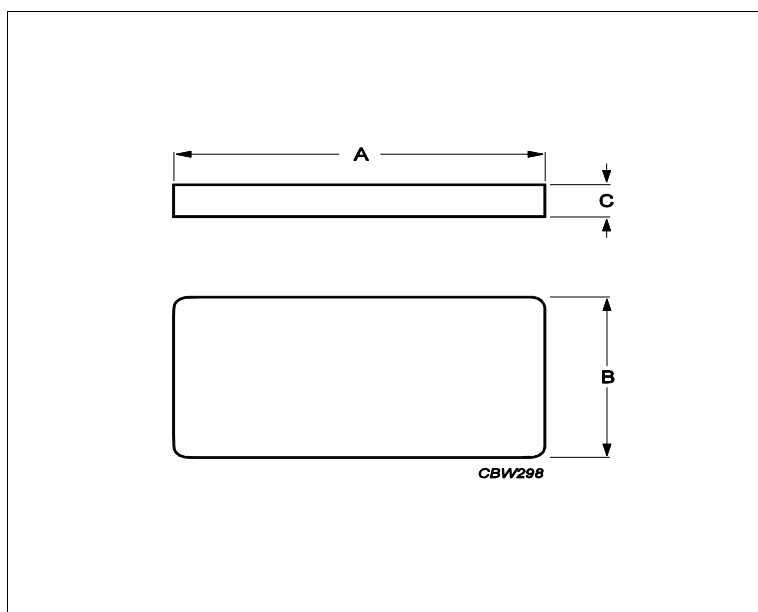


Core **E58/11/38 + PLT58/38/4**



Effective parameters			
	Parameter	Value	Unit
$\Sigma(I/A)$	core factor (C1)	0.224	mm ⁻¹
Ve	effective volume	20800	mm ³
Le	effective length	67.7	mm
Ae	effective area	310	mm ²
Amin	minimum area	310	mm ²
m	E58/11/38	≈ 62	g/pcs
m	PLT58/38/4	≈ 44	g/pcs



Dimensions for product: E58/11/38						
	Nom	Tol +	Tol -	Max	Min	Unit
A	58.40	1.20	1.20	59.60	57.20	mm
B					50.00	mm
C	8.10	0.20	0.20	8.30	7.90	mm
D	10.50	0.13	0.13	10.63	10.37	mm
E	6.50	0.13	0.13	6.63	6.37	mm
F	38.10	0.80	0.80	38.90	37.30	mm
Dimensions for product: PLT58/38/4						
	Nom	Tol +	Tol -	Max	Min	Unit
A	58.40	1.20	1.20	59.60	57.20	mm
B	38.10	0.80	0.80	38.90	37.30	mm

Core **E58/11/38 + PLT58/38/4**

Dimensions for product: PLT58/38/4						
	Nom	Tol +	Tol -	Max	Min	Unit
C	4.10	0.13	0.13	4.23	3.97	mm

Inductance factor					
Material	Value	Tol +	Tol -	Unit	
3C92	7770	25%	25%	nH/turns ²	
3C95	12090	25%	25%	nH/turns ²	
3C96	9070	25%	25%	nH/turns ²	
3C97	12090	25%	25%	nH/turns ²	
3F36	6300	25%	25%	nH/turns ²	
3F4	4780	25%	25%	nH/turns ²	

Power loss: 3C92				
Measuring conditions			Max	Unit
100 kHz	200 mT	100 °C	10.000	W/set

Power loss: 3C95				
Measuring conditions			Max	Unit
100 kHz	200 mT	100 °C	10.000	W/set
100 kHz	200 mT	25 °C	11.000	W/set

Power loss: 3C96				
Measuring conditions			Max	Unit
100 kHz	200 mT	100 °C	9.400	W/set
400 kHz	50 mT	100 °C	3.800	W/set

Power loss: 3C97				
Measuring conditions			Max	Unit
100 kHz	200 mT	60 °C	10.000	W/set
100 kHz	200 mT	120 °C	10.000	W/set
100 kHz	200 mT	140 °C	12.000	W/set

Power loss: 3F36				
Measuring conditions			Max	Unit
500 kHz	50 mT	100 °C	3.100	W/set
500 kHz	100 mT	100 °C	24.000	W/set

Power loss: 3F4				
Measuring conditions			Max	Unit
1000 kHz	30 mT	100 °C	6.200	W/set
3000 kHz	10 mT	100 °C	10.000	W/set

Bsat					
Measuring conditions			Material	Min	Unit
25 kHz	250 A/m	100 °C	3C92	370	mT
25 kHz	250 A/m	100 °C	3C95	330	mT
25 kHz	250 A/m	100 °C	3C96	340	mT

Core **E58/11/38 + PLT58/38/4**

25 kHz	250 A/m	100 °C	3C97	330	mT
25 kHz	250 A/m	100 °C	3F36	340	mT
25 kHz	250 A/m	100 °C	3F4	330	mT