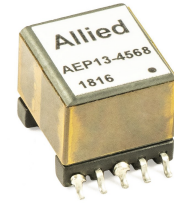




EP13 Transformer

AEP13-4568



- Operating temperature range: -40°C to +125°C
- EP13 SMD Package
- Reflow Condition: T_p is 250°C +0/-5°C for 30 Sec
(Refer to IPC/JEDEC J-STD-20 Standard)

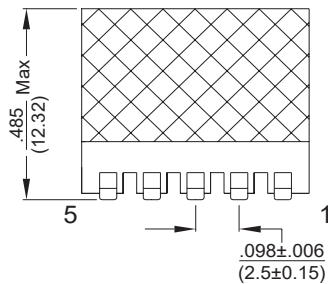
Electrical Specifications @25°C			
Inductance @ 10KHz, 0.1V (3-5)	Leakage Inductance @ 100KHz, 0.1V (3-5) (Short Pins 6, 7, 9, 10)	Turns Ratio @ Un-gapped Core (3-5) : (6-10)	Turns Ratio @ Un-gapped Core (3-5) : (7-9)
40µH±10%	1.0µH Max	2 : 1±2%	2 : 1±2%

Electrical Specifications @25°C				
DCR (3-5) mΩ Max	DCR (6-10) mΩ Max	DCR (7-9) mΩ Max	Isat (20% Rolloff from initial)	Hi-Pot Pri-Sec
100	95	75	3.8A	1500VAC

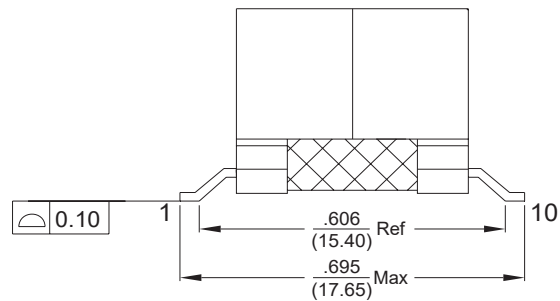
All specifications subject to change without notice.

MECHANICAL

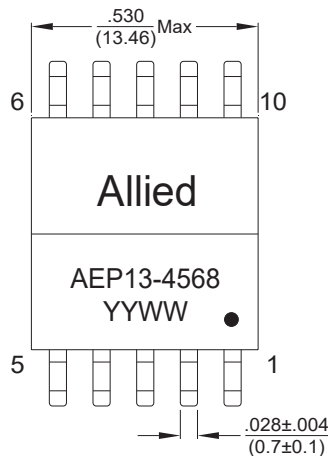
Dimensions: $\frac{\text{inch}}{\text{(mm)}}$



FRONT VIEW



SIDE VIEW



TOP VIEW

SCHEMATICS

