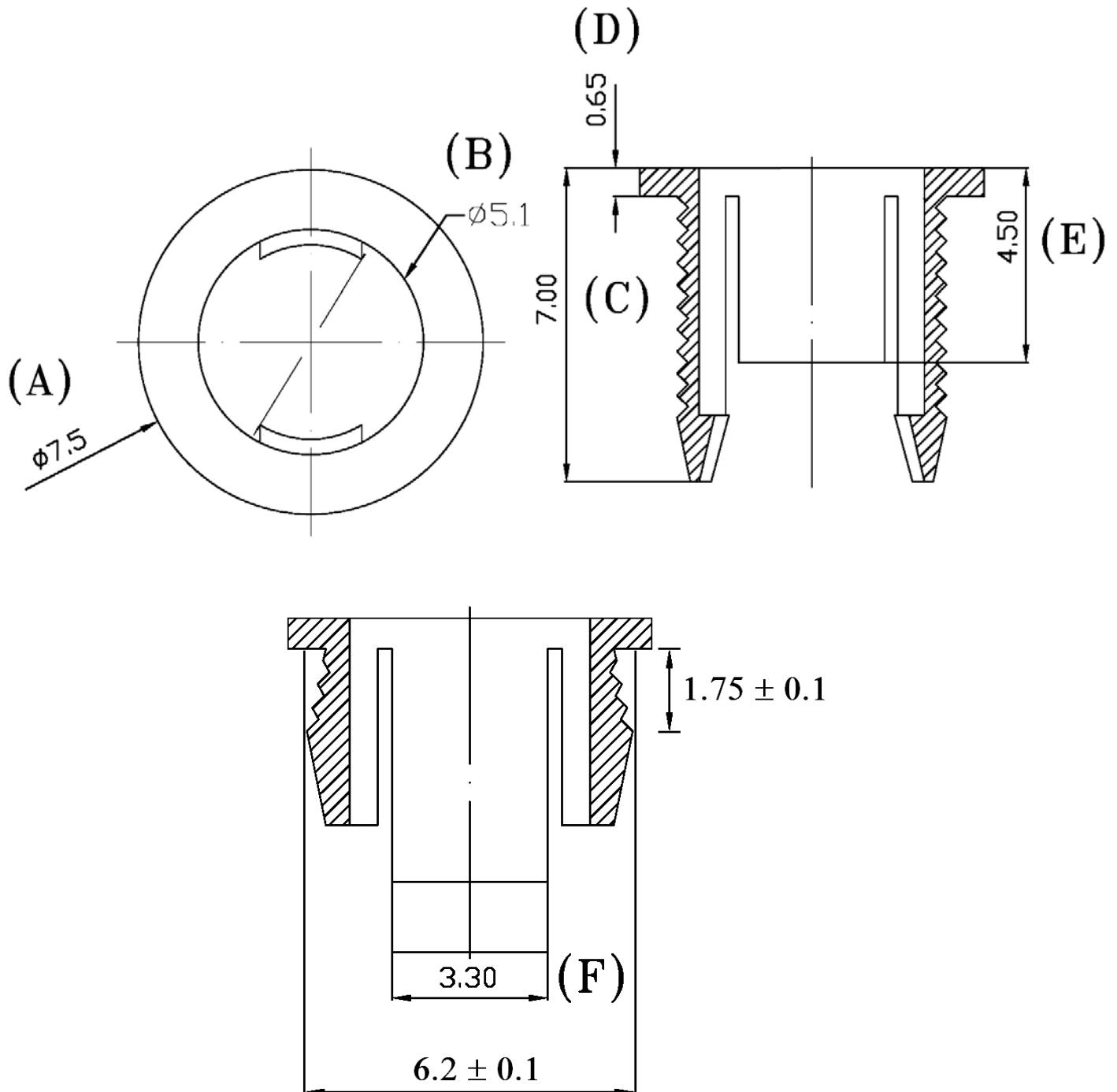




# American Opto Plus LED H503

5mm PP+ Black Holder



Notes: Unit = mm; Tolerance =  $\pm$  0.15mm unless otherwise specified