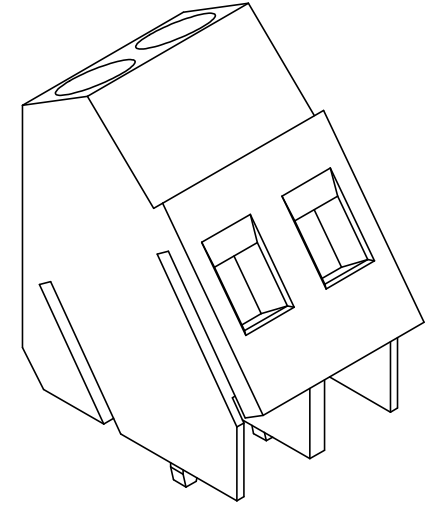
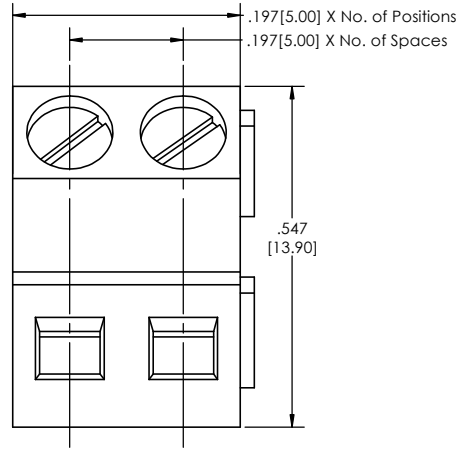
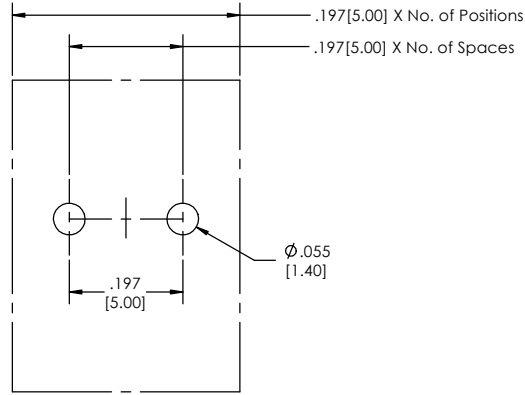


Recommended P.C. Board Layout
SCALE 6:1



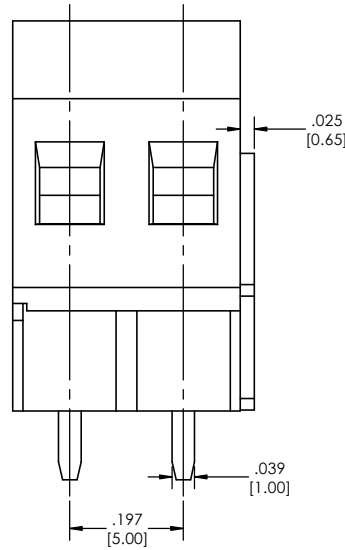
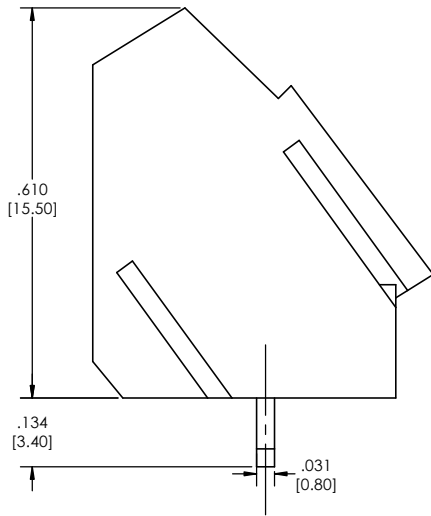
TBR - 00 - **197** - **XX** - **XX** - **LF**
(A) (B) (C) (D)

- A. Pitch
- $.197$ (5.00) cl
- B. No. of Positions
- 02-24
- C. Color
- GR= Green (Standard)
- BK= Black
- BL= Blue
- WH= White
- GY= Grey
- OR= Orange
- YW= Yellow
- RD= Red
- BR= Brown
- D. Lead Free
- Specifications:
Current Rating: 10 Ampere
Voltage Rating: A 250V
Wire Range: 12-26 AWG
Insulation Resistance: 500Mohm/ 500V
Dielectric Withstanding Voltage: AC 2500V/1 minute
Temperature Range: -33°C to +105°C
Max Torque: 3.5lb-in (4.03kgf.cm)
Strip Length: .236-.315 (6-8mm)

- Materials:
1. Body: PA66 (Nylon), UL94V-0
2. Screw: M2.5, C1018 Steel, Blue Zinc Plated
3. Contact: Brass, Nickel Plated
4. Terminal: Brass, Tin Plated

Tails may be clipped to achieve specific dimensions.

Products cut to specific sizes are uncancellable/ nonreturnable.
Parts are subject to change without notice.



PROPRIETARY AND CONFIDENTIAL
THE INFORMATION CONTAINED IN THIS DRAWING IS THE SOLE PROPERTY OF Major League Electronics. ANY REPRODUCTION IN PART OR AS A WHOLE WITHOUT THE WRITTEN PERMISSION OF Major League Electronics IS PROHIBITED.

UNLESS OTHERWISE SPECIFIED:		NAME	DATE
DRAWN	EOW		04/16/14
CHECKED	GWE		04/16/14
ENG APPR.			
MFG APPR.			
INTERPRET GEOMETRIC TOLERANCING PER:		ADDRESS:	
MATERIAL:		2533 Centennial Blvd. Jeffersonville, IN 47130	
FINISH:		Phone: 812-670-4174	
APPLICATION		Fax: 812-670-4175	
DO NOT SCALE DRAWING		E-Mail: mle@milelectronics.com	
DIMENSIONS ARE IN INCHES		TITLE: TBR-00-197 Series	
TOLERANCES:		SIZE DWG. NO.	
ONE DECIMALS $\pm .100$		C	
TWO DECIMALS $\pm .010$		REV	
THREE DECIMALS $\pm .002$		A	
FOUR DECIMALS $\pm .002$		SCALE 6:1	
		SHEET 1 OF 1	