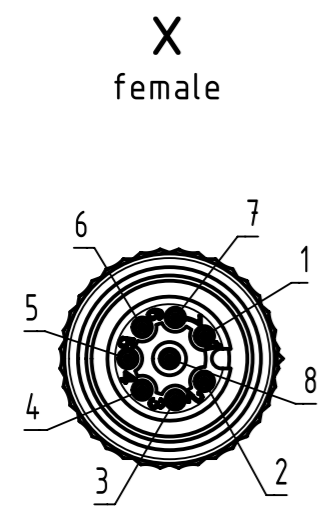
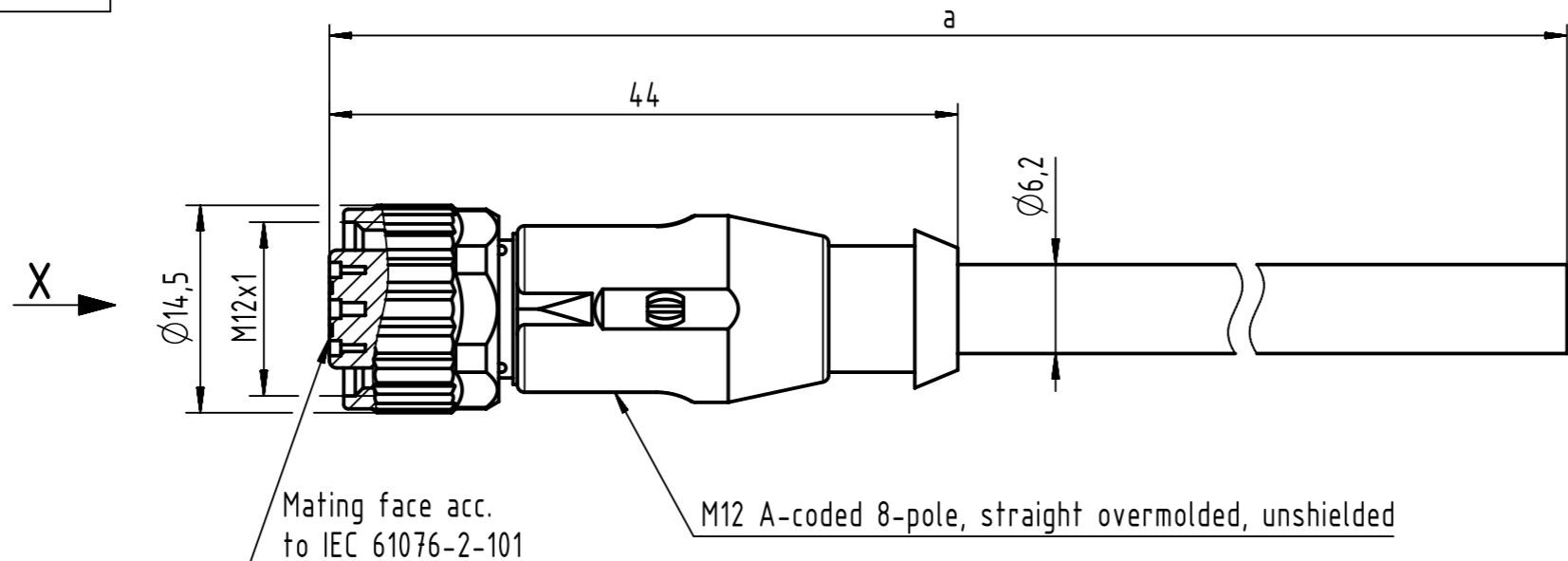


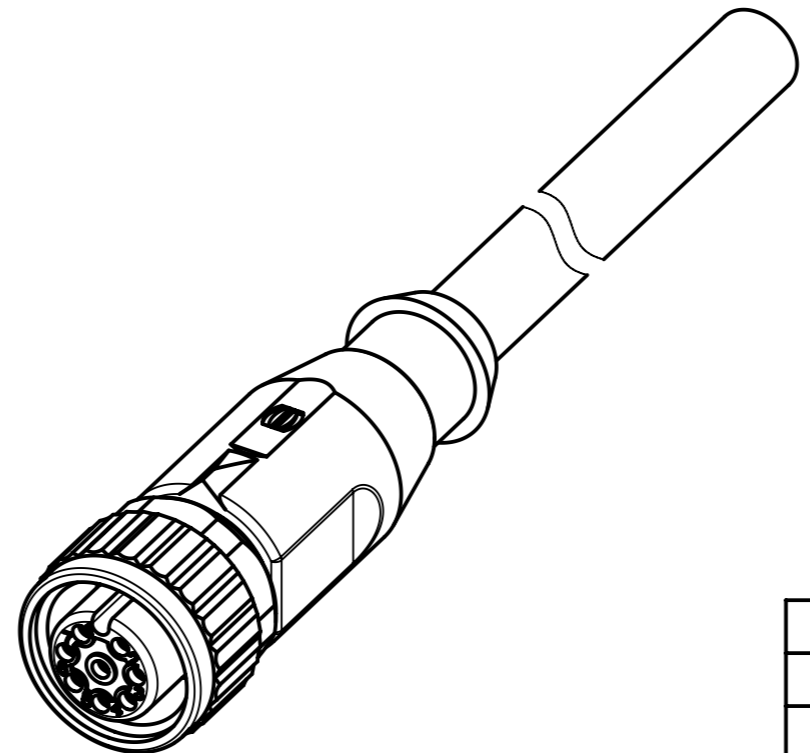
Connector Location A

Connector Location B



**Loading Plan**

1	white
2	brown
3	green
4	yellow
5	grey
6	pink
7	blue
8	red



4.0 to 40	±1%
0.1 to 3.9	+0.04
<b>a [m]</b>	<b>Tolerance</b>

length in "1m" step	40	XXX=400
	39	XXX=390
	.	.
	12	XXX=120
length in "0.1m" step	11	XXX=110
	10	XXX=100
	9.9	XXX=099
	9.8	XXX=098
	.	.
	0.4	XXX=004
	0.3	XXX=003
	0.2	XXX=002
0.1	XXX=001	
<b>Step</b>	<b>a [m]</b>	<b>XXX</b>

- Protection level: IP67  
 - Temperature range: -25°C ... +80°C

PVC grey, 8x0.25mm <sup>2</sup>	21348500882XXX
<b>Type of cable</b>	<b>Part no.</b>

All rights reserved Department HCS - RO HARTING Customised Solutions D-32339 Espelkamp	All Dimensions in mm Tech. Character. Free size tol. According to production drawing	Created by COSTEA Costea	Inspected by STOCHECIC Stocheci	Standardisation MUNTEANV Muntean	Date 2019-05-06	State Final Release	Doc-Key / ECM-Nr. 100578933/UGD/009/B 500000151656
	Title M12 Cable Assembly A-cod st/- f/-	Type TB	Number 21348500882XXX	Rev. B	Page 1/1		