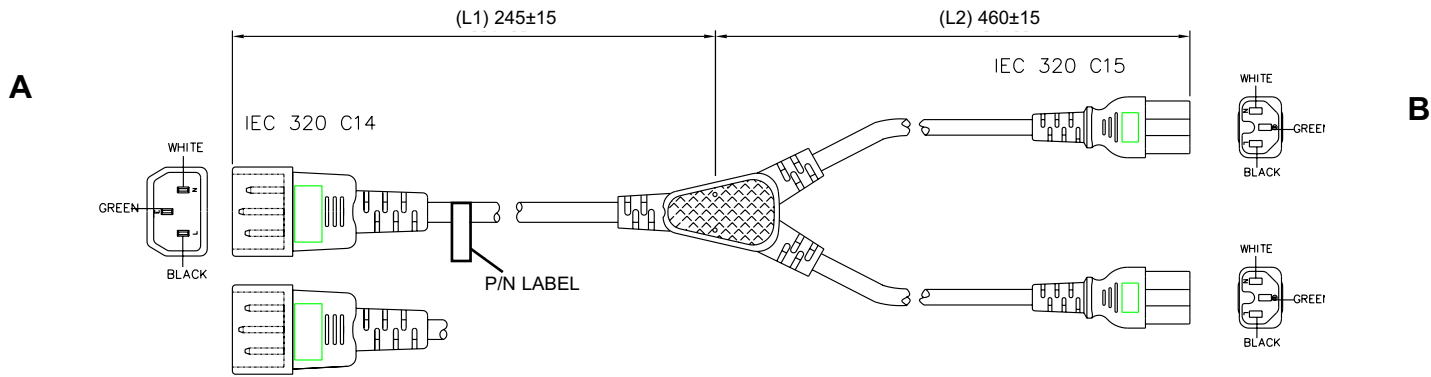


PROPRIETARY INFORMATION:
 PROPRIETARY OF GLOBTEK, INC. ANY REPRODUCTION, DISCLOSURE OR USE OF THIS DRAWING, IN WHOLE OR IN PART, IS HEREBY PROHIBITED EXCEPT AS SPECIFIED IN WRITING BY GLOBTEK, INC.

REVISION			
REV	DESCRIPTION	DATE	APPROVED
A	INITIAL RELEASE	05/08/00	PS
B	REDRAW TO NEW FORMAT, RFS.5805, DMR	03/23/05	DMR
C	UPDATE LI TO 245 mm, RFS.5833, GC	03/29/05	DMR
D	ADD ROHS, RFS. 15924, JN	03/31/09	DMR



GENERAL SPECIFICATIONS:

RATING: 15A / 250V AC
 CABLE TYPE / SIZE: SJT AWG 14 X 3C
 TEMPERATURE RATING: 60° C MIN.
 CONDUCTOR COLORS: BLACK / WHITE / GREEN
 CABLE JACKET COLOR: BLACK
 LENGTH (L1): 245 ± 15mm
 LENGTH (L2): 460 ± 15 mm
 CABLE OUTER DIAMETER: 9.3 ± 0.15 mm
 END 'A' : IEC 320 / C14
 END 'B' (2): IEC 320 / C15 (HOT CONDITION)
 APPROVALS PLUG: UL, CSA or cUL
 APPROVALS CABLE: UL, CSA or cUL
 APPROVALS CONNECTOR: UL, CSA or cUL

NOTES:

1. CORD, PLUG AND CONNECTOR MUST BE MARKED WITH APPROVAL SYMBOLS OR FILE NUMBER(S).



PACKING:
 BULK



DASH NO.	PART NO	REV.	DESCRIPTION	NOTES
TABULATION BLOCK				
		TOLERANCES: DECIMALS ANGULAR .xx +/- 0.1 +/- 1° .xxx +/- .005		GlobTek, Inc. www.globtek.com 186 Veterans Dr. Northvale, NJ 07647 Tel. 201-784-1000 Fax 201.784.0111
		MILLIMETERS ANGULAR .xx +/- 0.3 +/- 1° .xxx +/- .013		
INIT.BY: DMR	DATE: 09/22/04	FSCN No.: G, CC	SIZE: A	DWG TITLE: DETACHABLE JUMPER CORDSET
DRAWN: NF	DATE: 09/22/04	SCALE: NONE		REV. D
APRVD: DMR	DATE: 09/22/04	PART NO: 7051042F701HX2(R)		SHEET 1/1

Foot Note:
 Globtek Inc. will not be liable for the safety and performance of these power product if unauthorized access and repair occurs. End user should consult the applicable UL, CSA or EN Standards for proper installation instruction.

Limitation of Use:
 Globtek product are not authorized for use as mission critical components in life support, hazardous environment, nuclear or aircraft applications without prior written approval from the CEO of Globtek Inc.

Contents of this document are subject to change without prior notice