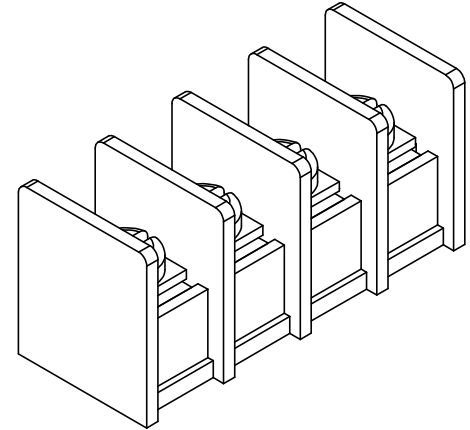
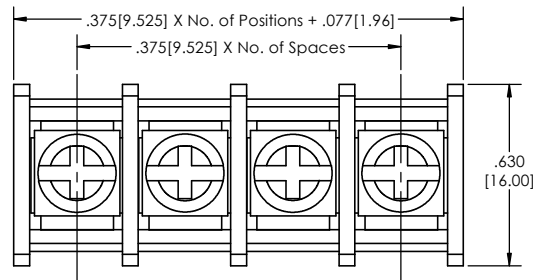
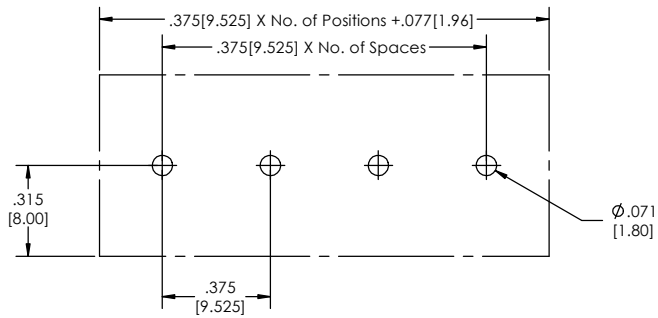


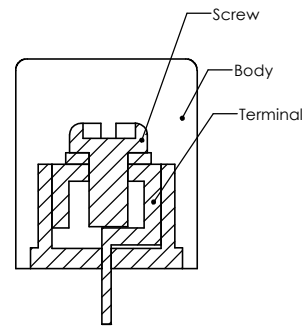
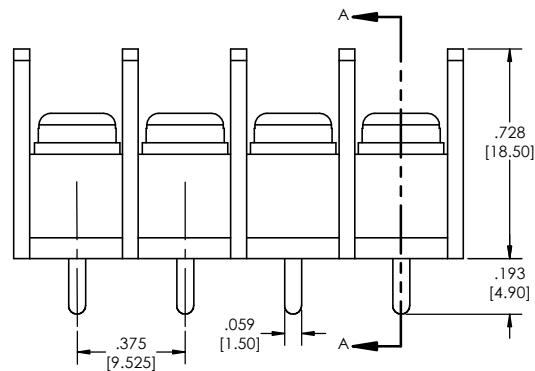
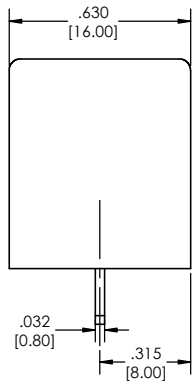
Recommended P.C. Board Layout
SCALE 3:1



TBB - 06 - **375** - **XX** - **XX** - **LF**
(A) (B) (C) (D)

- A. Pitch
- 375= .375(9.525) cl
- B. No. of Positions
- 02-24
- C. Color
- GR= Green (Standard)
- BK= Black
- BL= Blue
- WH= White
- GY= Grey
- OR= Orange
- YW= Yellow
- RD= Red
- BR= Brown
- D. Lead Free
- Specifications:
Current Rating: 25 Ampere
Voltage Rating: AC 300V
Wire Range: 12-22 AWG
Insulation Resistance: DC 500V 1000M ohms
Dielectric Withstanding Voltage: AC 2500V/1 minute
Operation Temperature: -30°C to +105°C
Strip Length: .394-.472 (10-12mm)

- Materials:
1. Body: PA66 (Nylon), UL94 V-0
 2. Screw: M3.5, C1018 Steel, Nickel Plated
 3. Terminal: H62 Brass, Tin Plated



SECTION A-A

Tails may be clipped to achieve specific dimensions.
Products cut to specific sizes are uncancellable/ nonreturnable.
Parts are subject to change without notice.



PROPRIETARY AND CONFIDENTIAL
THE INFORMATION CONTAINED IN THIS DRAWING IS THE SOLE PROPERTY OF Major League Electronics. ANY REPRODUCTION IN PART OR AS A WHOLE WITHOUT THE WRITTEN PERMISSION OF Major League Electronics IS PROHIBITED.

| | | | | | |
|-----------------------------|--|--|-----|--------------------------|--------------|
| UNLESS OTHERWISE SPECIFIED: | | NAME | | DATE | |
| DIMENSIONS ARE IN INCHES | | DRAWN | EOW | 04/16/14 | |
| TOLERANCES: | | CHECKED | GWG | 04/16/14 | |
| ONE DECIMALS ±.100 | | ENG APPR. | | | |
| TWO DECIMAL ±.010 | | MFG APPR. | | | |
| THREE DECIMAL ±.005 | | ADDRESS: | | | |
| FOUR DECIMAL ±.002 | | 2533 Centennial Blvd. Jeffersonville, IN 47130 Phone: 812-670-4174 Fax: 812-670-4175 E-Mail: mle@mlelectronics.com | | | |
| NEXT ASSY | | USED ON | | TITLE: TBB-06-375 Series | |
| APPLICATION | | DO NOT SCALE DRAWING | | SIZE | DWG. NO. |
| | | | | C | |
| | | | | SCALE 3:1 | SHEET 1 OF 1 |
| | | | | REV | A |

