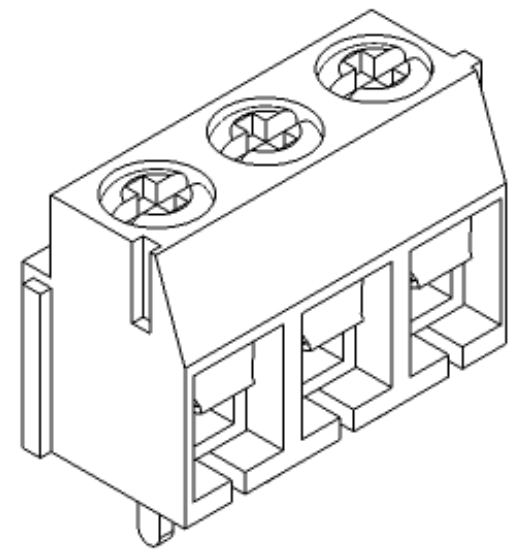
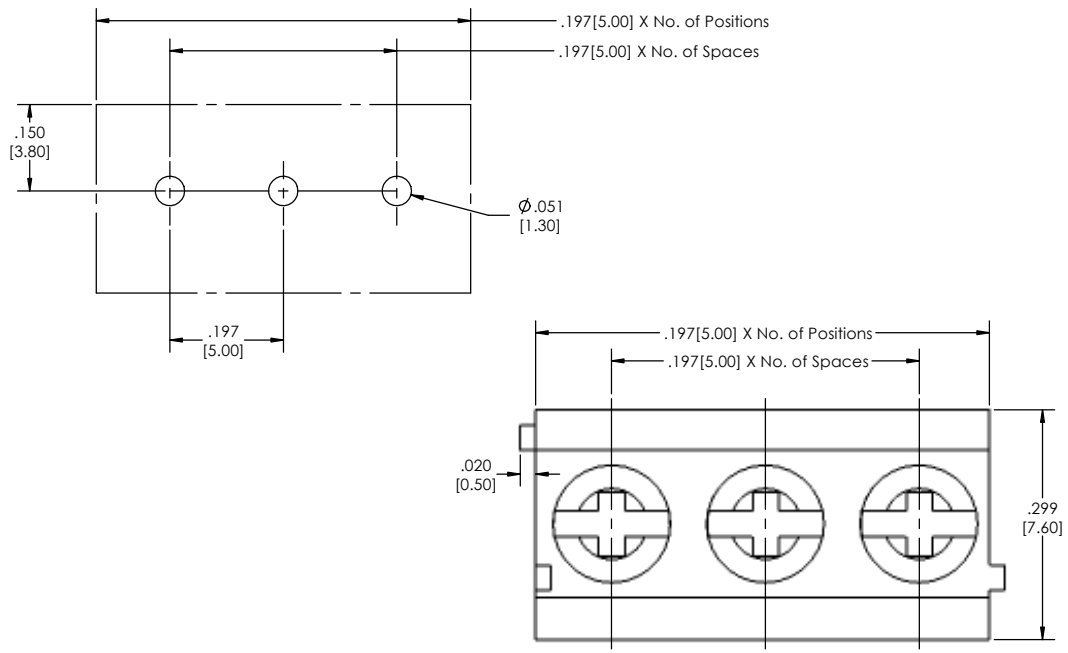


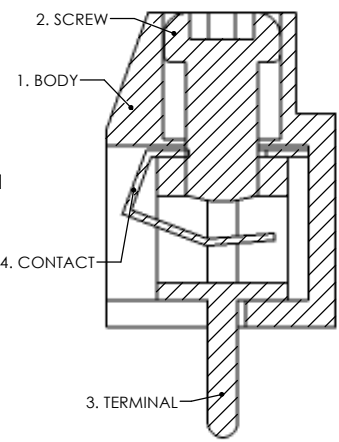
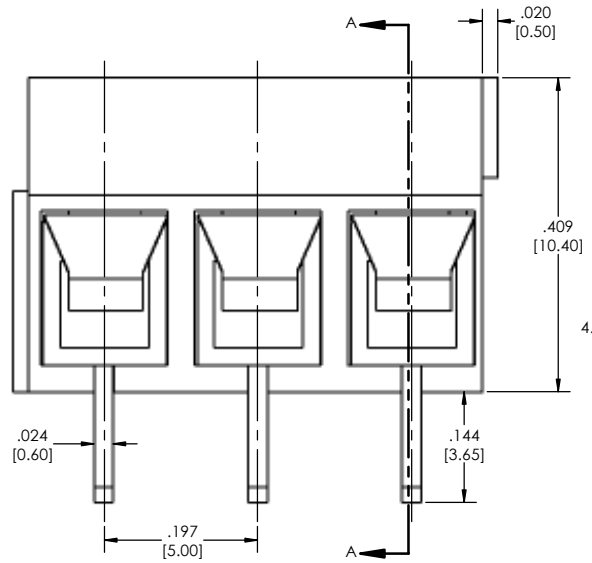
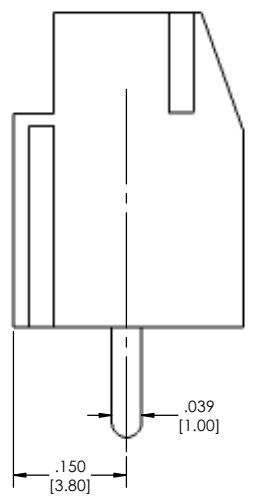
Recommended P.C. Board Layout
SCALE 6:1



TBW - 04 - **197** - **XX** - **XX** - **LF**
(A) (B) (C) (D)

- A. Pitch**
 - 197= .197(5.00) cl
- B. No. of Positions**
 - 02-24
- C. Color**
 - GR= Green (Standard)
 - BK= Black
 - BL= Blue
 - WH= White
 - GY= Grey
 - OR= Orange
 - YW= Yellow
 - RD= Red
 - BR= Brown
- D. Lead Free**
- Specifications:**
 Current Rating: 10 Ampere
 Voltage Rating: AC 250V
 Wire Range: 14-24 AWG
 Insulation Resistance: DC 500V 500M ohms
 Dielectric Withstanding Voltage: AC 1500V/1 minute
 Operation Temperature: -33°C to +105°C
 Max Torque: 3.04 lb-in (3.5kgf. cm)
 Strip Length: .236-.276 (4.5-5mm)
- Materials:**
 1. Body: PA66 (Nylon), UL94 V-0
 2. Screw: M2.5, C1018 Steel, Zinc Plated
 3. Terminal: H62 Brass, Tin Plated
 4. Contact: SUS301 Stainless Steel

Tails may be clipped to achieve specific dimensions.
 Products cut to specific sizes are uncancelable/ nonreturnable.
 Parts are subject to change without notice.



PROPRIETARY AND CONFIDENTIAL
 THE INFORMATION CONTAINED IN THIS DRAWING IS THE SOLE PROPERTY OF Major League Electronics. ANY REPRODUCTION IN PART OR AS A WHOLE WITHOUT THE WRITTEN PERMISSION OF Major League Electronics IS PROHIBITED.

UNLESS OTHERWISE SPECIFIED:		NAME		DATE	
DIMENSIONS ARE IN INCHES		DRAWN		EOW	
TOLERANCES:		CHECKED		GWE	
ONE DECIMALS ±.100		ENG APPR.			
TWO DECIMAL ±.010		MFG APPR.			
THREE DECIMAL ±.002		ADDRESS:		2533 Centennial Blvd.	
FOUR DECIMAL ±.002		MATERIAL:		Jeffersonville, In 47130	
NEXT ASSY		FINISH:		Phone: 812-670-4174	
USED ON		DO NOT SCALE DRAWING		Fax: 812-670-4175	
APPLICATION		E-Mail: mle@mlelectronics.com		E-Mail: mle@mlelectronics.com	
TITLE: TBW-04-197 Series				REV	
SIZE DWG. NO.				A	
SCALE 8:1				SHEET 1 OF 1	

