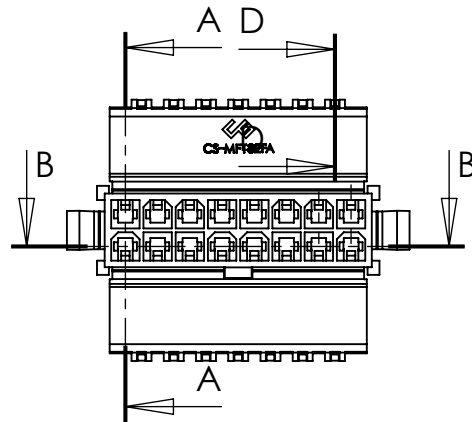
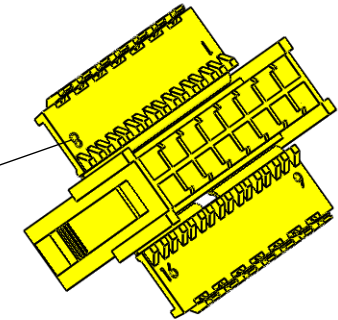
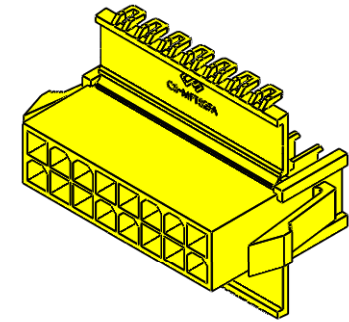


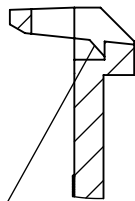
SEZIONE A-A



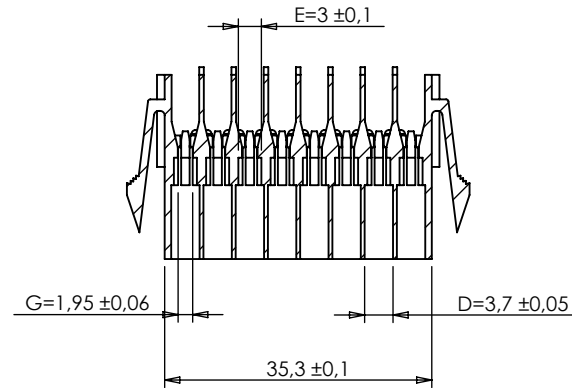
SEZIONE D-D



Way number in the housing, thickness 0,05 mm



Dettaglio F
Scala 4:1
Rev.1



SEZIONE B-B

DIMENSIONS WITHOUT TOLERANCES		CS-MFT82FAV0	PA66 UL94 V-0
$\angle \pm 2^\circ$	0 - 6	$\pm 0,1$	CS-MFT82FAV0750NF PA66 UL94 V-0 GWIT 775
	6 - 30	$\pm 0,2$	CS-MFT82FA-G PA6 UL94 V-2 GWIT 775
	> 30	$\pm 0,3$	PART NUMBER MATERIAL

INDEX	MODIFICATION	DATE
1	Aggiunto rinforzo ganci di chiusura sportello. dettaglio F	10-12-2012
 COLOMBO SERGIO e Figli S.r.l. 20063 CERNUSCO S/N - VIA COMO, 11 TEL +39.02.9210.7404 - FAX +39.02.9210.0217 http://www.cscolombo.com - e-mail: info@cscolombo.com		
CHECKED BY Stefano Galimberti		DATE 15-02-2012
DRAWN BY Stefano Querzoli		DATE 15-02-2012
SCALE	CAD REFER	DESIGN UNITS
1:1	Y:\dis\cs\mft\mftxxf\mftxxfa sec lock\tavole\	METRIC
SIZE	INDEX 0	WEIGHT
A4	15-02-2012	
BASE CODE		DESCRIPTION
CS-MFT82FA		MFT FEMALE CONNECTOR FOR PANEL, 8X2 POLES