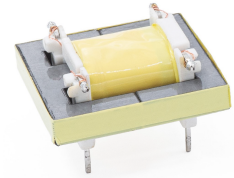




EE21 Transformer

AEE21-4621

- EE21 Through Hole Design
- 3000VAC/5SEC/5mA Hi-Pot
- UL Approved Materials
- Operating Temperature Range: -40°C to +125°C



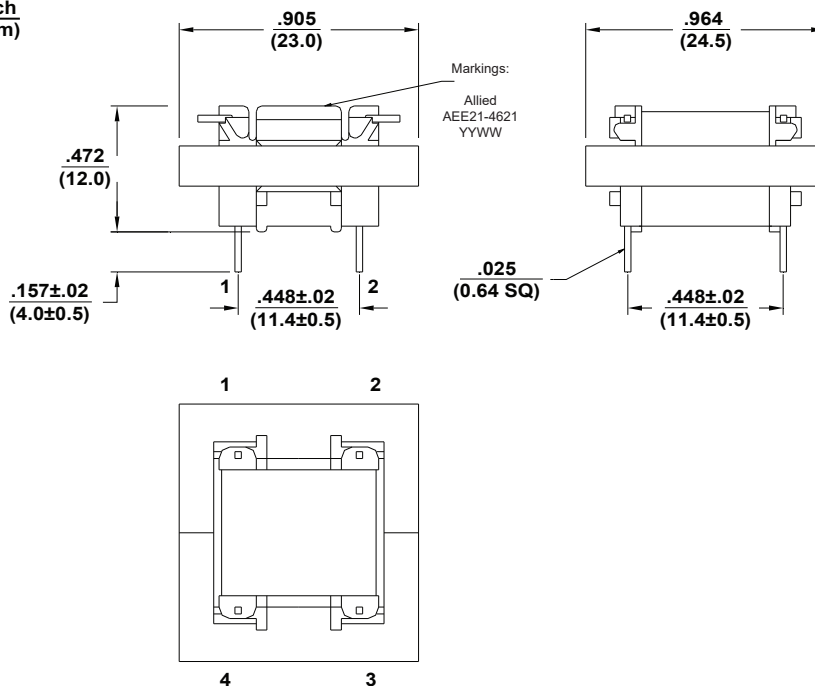
Electrical Specifications @ 25°C

Inductance @10KHz, .02V		DCR R (1-2) Max	DCR R (4-3) Max	Turns Ratio @ 10.0KHz, 0.1V (1,2) : (4,3)	Hi Pot 5mA, 5Sec (1,2) : (4,3)	Resistance @1KHz, 0.25V (1-2) , @(4-3) 470Ω Load
L (1-2)	L (4-3)					
125mH ± 30°	125mH ± 30°	150Ω±10°	190Ω±10°	1 : 1 ±2%	3000VAC	600Ω±10°

All specifications subject to change without notice.

MECHANICAL

DIMENSIONS:  $\frac{\text{inch}}{\text{mm}}$



SCHEMATICS

