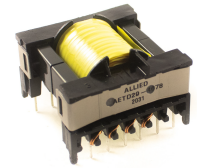




ETD29 Transformer

AETD29-4678



● Operating Temp Range: -30°C to +120°C

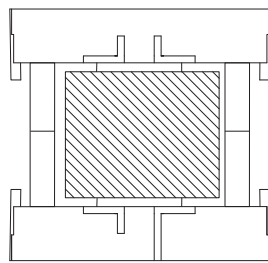
Electrical Specifications @25°C

Inductance @100KHz, 1.0V (3 - 1)	Leakage Inductance @100KHz, 1.0V (Short other pins) (3 - 1)	Turns Ratio (3-1) : (5-4) : (9-8)	DC Resistance (mΩ Max)			Hi-Pot (50Hz/60Hz) 5mA / 3Sec VAC			Insulation Resistance 100mΩ Min		
			(3-1)	(5-4)	(9-8)	Pri-Sec	Pri-Core	Sec-Core	Pri-Sec	Pri-Core	Sec-Core
385μH ±10%	9.64μH Max	1 : .143 : .365	350	58	82	3000	1000	1000	500	500	500

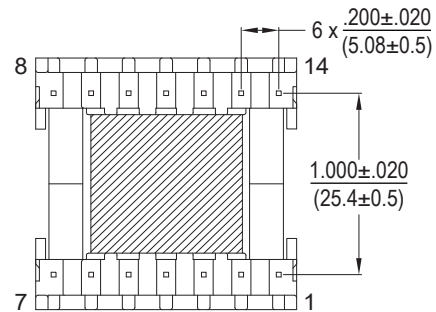
All specifications subject to change without notice

MECHANICAL

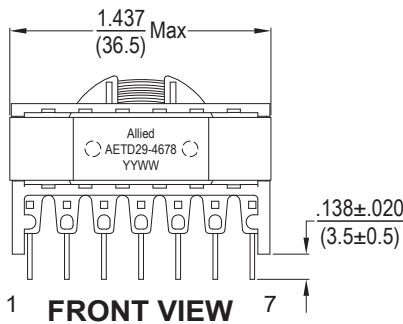
Dimensions: $\frac{\text{inch}}{\text{mm}}$



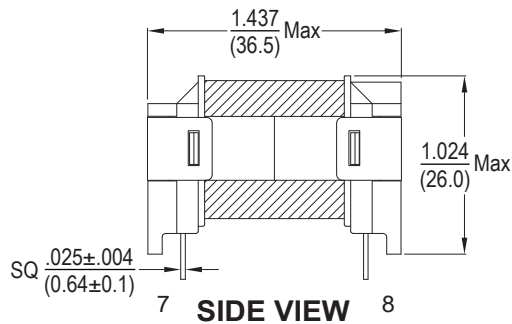
TOP VIEW



BOTTOM VIEW

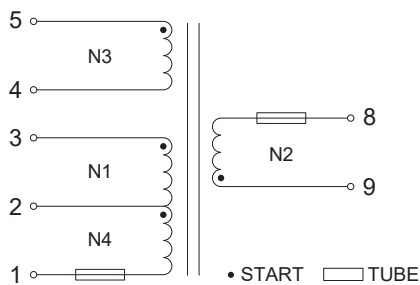


FRONT VIEW



SIDE VIEW

SCHEMATIC



WINDING CONSTRUCTION

