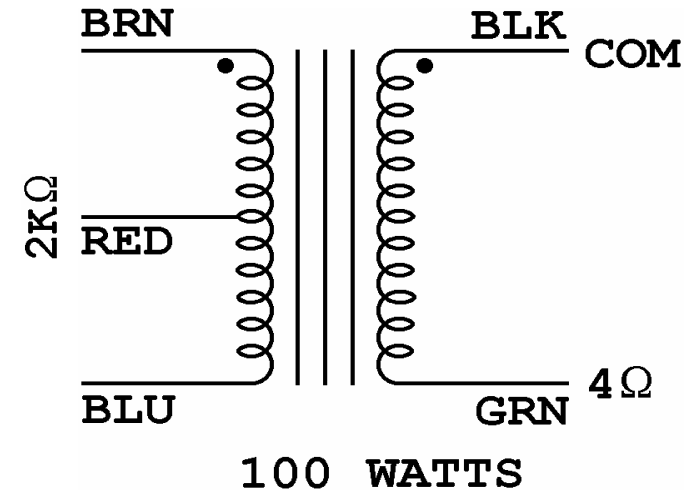
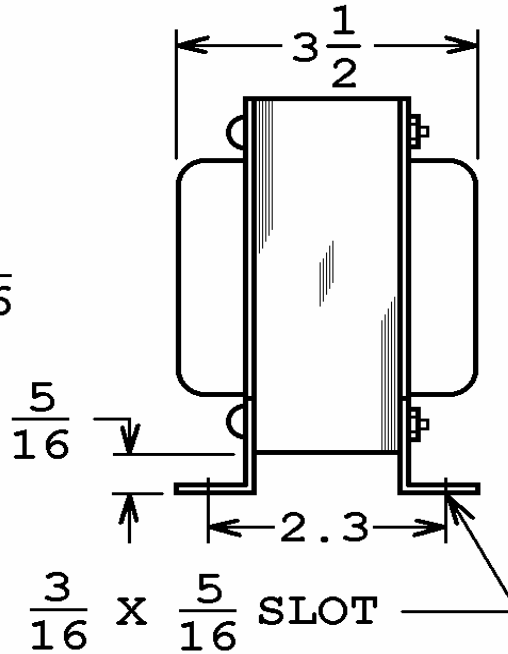
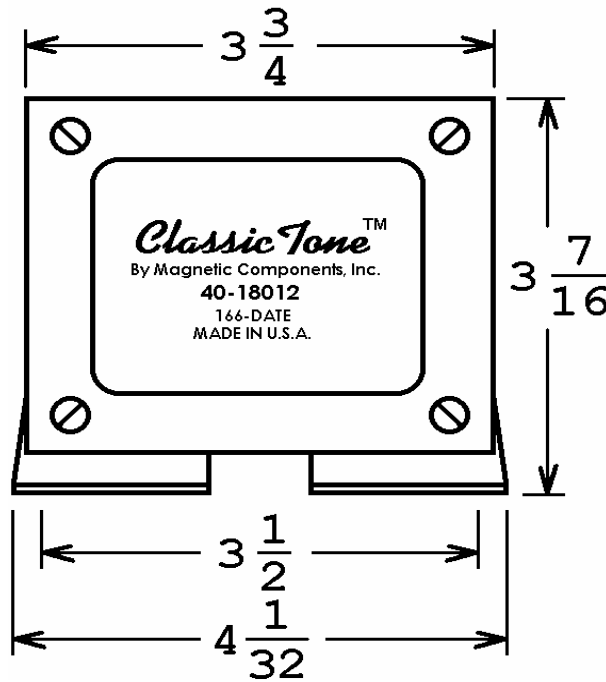


This drawing is the property of Magnetic Components, Inc. and shall not be reproduced, in whole or in part, without the written permission of Magnetic Components, Inc.

REVISIONS			
LTR	DESCRIPTION	DATE	APPROVED
A	ADD PRIMARY IMPEDANCE	09/02/09	M.S.
B	ADD ClassicTone, FENDER P/N	01/07/10	M.S.



DRAWING No. :
OOA-85214
DIV :
LOC : SCHILLER PK

UNLESS OTHERWISE SPECIFIED		SIGNATURES		DATE	MAGNETIC COMPONENTS, INC.		TITLE	
ALL DIMENSIONS IN INCHES DO NOT SCALE DRAWING		DRAWN : <i>M.S.</i>		25 JUN 09	100W OUTPUT			
FRACTIONS +/-		CHECK :						
.X = +/-		APPR : <i>M. Sacketa</i>		25 JUN 09	CAGE	50508	SIZE	PART No.
.XX = +/-					SCALE	NONE	A	40-18012
.XXX = +/-								REV
ANGLES = +/-								B
								SHEET :

FENDER P/N :
022889 (CORRECT P/N)
022899
125A29A