

# 710 Series

## Electromechanical Hour Meter



The model 710 AC hour meters are widely used in panel applications where number size and visibility are critical. Its tough, Lexan bezel and distinctive styling enhance appearance and durability.

### Key Features

- Ideal for a wide range of applications and requirements
- Large figures provide an easy-to-read display
- Tough Lexan case for improved durability
- Non-reset
- Options include:
  - Private label faceplates
  - Bracket mount (721-0003)
  - Gasket (721-0004)

### Applications

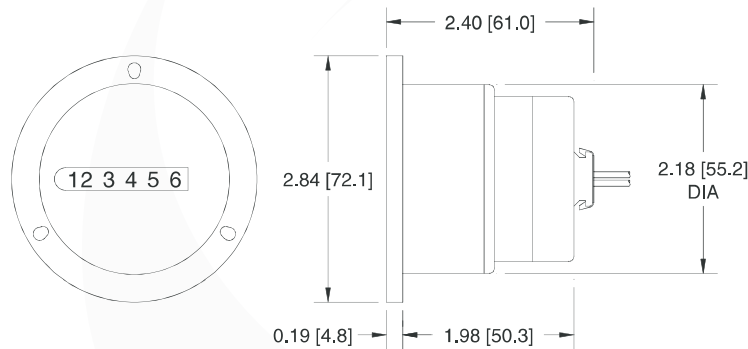
- Office equipment
- Control Panels
- Industrial Equipment
- Test Equipment
- Compressors
- plus many more...

## Specification

<b>Figures</b>	6 figure, 99999.9 (non-reset), 0.19" [5mm] high
<b>Reset</b>	Non-reset
<b>Voltages</b>	24, 115 or 230VAC, (+/-10%), 50 or 60 Hz.
<b>Power</b>	3 watts
<b>Mount</b>	Panel (3-hole)
<b>Terminations</b>	8" [203.2mm] wire leads or terminal block
<b>Temp. Range</b>	-20°F to +160°F [-29°C to +71°C]
<b>Approvals</b>	UL recognised, CE compliant, ROHS, UKCA
<b>Weight</b>	6 oz. [170g]

## Dimensions

### 8" [203mm] Wire Leads



Mounting holes: For #4 screws on 2.44" [62.0] B.C. and #6 screws pm 2.53" [64.3] B.C.  
Panel cutout: 2.21" [56.1] Dia.

## Part Numbers

<b>710-0001</b>	115VAC/60Hz, non-reset, 99,999.9 hrs, 8" [203mm] wire leads
<b>710-0002</b>	115VAC/60Hz, non-reset, 99,999.9 hrs, terminal block
<b>710-0003</b>	230VAC/60Hz, non-reset, 99,999.9 hrs, 8" [203mm] wire leads
<b>710-0006</b>	24VAC/60Hz, non-reset, 99,999.9 hrs, 8" [203mm] wire leads
<b>710-0024</b>	24VAC/60Hz, non-reset, 99,999.9 hrs, terminal block

