

National Semiconductor is now part of
Texas Instruments.

Search <http://www.ti.com/> for the latest technical
information and details on our current products and services.

LM2852

2A 500/1500kHz Synchronous SIMPLE SWITCHER® Buck Regulator

General Description

The LM2852 SIMPLE SWITCHER® synchronous buck regulator is a high frequency step-down switching voltage regulator capable of driving up to a 2A load with excellent line and load regulation. The LM2852 can accept an input voltage between 2.85V and 5.5V and deliver an output voltage that is factory programmable from 0.8V to 3.3V in 100mV increments. The LM2852 is available with a choice of two switching frequencies - 500kHz (LM2852Y) or 1.5MHz (LM2852X). It also features internal, type-three compensation to deliver a low component count solution. The exposed-pad TSSOP-14 package enhances the thermal performance of the LM2852.

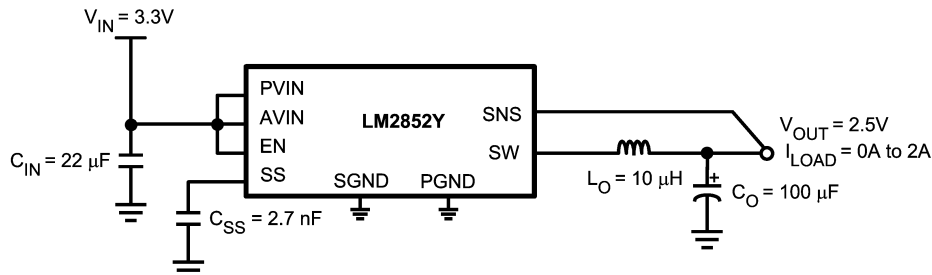
Features

- Input voltage range of 2.85 to 5.5V
- Factory EEPROM set output voltages from 0.8V to 3.3V in 100mV increments
- Maximum load current of 2A
- Voltage Mode Control
- Internal type-three compensation
- Switching frequency of 500kHz or 1.5MHz
- Low standby current of 10µA
- Internal 60 mΩ MOSFET switches
- Standard voltage options 0.8/1.0/1.2/1.5/1.8/2.5/3.3 volts

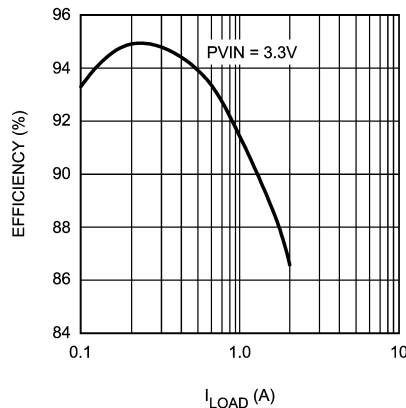
Applications

- Low voltage point of load regulation
- Local solution for FPGA/DSP/ASIC core power
- Broadband networking and communications infrastructure
- Portable computing

Typical Application Circuit



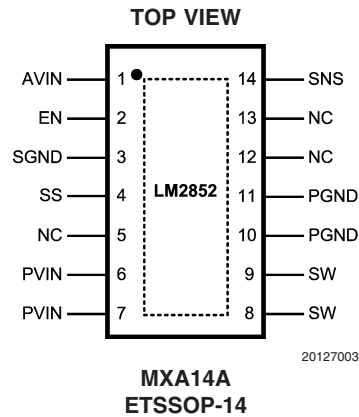
20127001



20127002

SIMPLE SWITCHER®
SIMPLE SWITCHERReg; is a registered trademark of National Semiconductor Corporation

Connection Diagram



Pin Descriptions

AVIN (Pin 1): Chip bias input pin. This provides power to the logic of the chip. Connect to the input voltage or a separate rail.

EN (Pin 2): Enable. Connect this pin to ground to disable the chip; connect to AVIN or leave floating to enable the chip; enable is internally pulled up.

SGND (Pin 3): Signal ground.

SS (Pin 4): Soft-start pin. Connect this pin to a small capacitor to control startup. The soft-start capacitance range is restricted to values 1 nF to 50 nF.

NC (Pins 5, 12 and 13): No connect. These pins must be tied to ground or left floating in the application.

PVIN (Pins 6, 7): Input supply pin. PVIN is connected to the input voltage. This rail connects to the source of the internal power PFET.

SW (Pins 8, 9): Switch pin. Connect to the output inductor.

PGND (Pins 10, 11): Power ground. Connect this to an internal ground plane or other large ground plane.

SNS (Pin 14): Output voltage sense pin. Connect this pin to the output voltage as close to the load as possible.

Exposed Pad: Connect to ground.

Ordering Information

| Order Number | Frequency | Voltage Option | Package Type | Package Drawing | Supplied As |
|-----------------|-----------|----------------|----------------------|-----------------|---------------------------|
| LM2852YMXA-0.8 | 500kHz | 0.8 | TSSOP-14 exposed pad | MXA14A | 94 Units, Rail |
| LM2852YMXAX-0.8 | | | | | 2500 Units, Tape and Reel |
| LM2852YMXA-1.0 | | 1.0 | | | 94 Units, Rail |
| LM2852YMXAX-1.0 | | | | | 2500 Units, Tape and Reel |
| LM2852YMXA-1.2 | | 1.2 | | | 94 Units, Rail |
| LM2852YMXAX-1.2 | | | | | 2500 Units, Tape and Reel |
| LM2852YMXA-1.5 | | 1.5 | | | 94 Units, Rail |
| LM2852YMXAX-1.5 | | | | | 2500 Units, Tape and Reel |
| LM2852YMXA-1.8 | | 1.8 | | | 94 Units, Rail |
| LM2852YMXAX-1.8 | | | | | 2500 Units, Tape and Reel |
| LM2852YMXA-2.5 | | 2.5 | | | 94 Units, Rail |
| LM2852YMXAX-2.5 | | | | | 2500 Units, Tape and Reel |
| LM2852YMXA-3.0 | | 3.0 | | | 94 Units, Rail |
| LM2852YMXAX-3.0 | | | | | 2500 Units, Tape and Reel |
| LM2852YMXA-3.3 | | 3.3 | | | 94 Units, Rail |
| LM2852YMXAX-3.3 | | | | | 2500 Units, Tape and Reel |
| LM2852XMXA-0.8 | 1500kHz | 0.8 | TSSOP-14 exposed pad | MXA14A | 94 Units, Rail |
| LM2852XMXAX-0.8 | | | | | 2500 Units, Tape and Reel |
| LM2852XMXA-1.0 | | 1.0 | | | 94 Units, Rail |
| LM2852XMXAX-1.0 | | | | | 2500 Units, Tape and Reel |
| LM2852XMXA-1.2 | | 1.2 | | | 94 Units, Rail |
| LM2852XMXAX-1.2 | | | | | 2500 Units, Tape and Reel |
| LM2852XMXA-1.5 | | 1.5 | | | 94 Units, Rail |
| LM2852XMXAX-1.5 | | | | | 2500 Units, Tape and Reel |
| LM2852XMXA-1.8 | | 1.8 | | | 94 Units, Rail |
| LM2852XMXAX-1.8 | | | | | 2500 Units, Tape and Reel |
| LM2852XMXA-2.5 | | 2.5 | | | 94 Units, Rail |
| LM2852XMXAX-2.5 | | | | | 2500 Units, Tape and Reel |
| LM2852XMXA-3.0 | | 3.0 | | | 94 Units, Rail |
| LM2852XMXAX-3.0 | | | | | 2500 Units, Tape and Reel |
| LM2852XMXA-3.3 | | 3.3 | | | 94 Units, Rail |
| LM2852XMXAX-3.3 | | | | | 2500 Units, Tape and Reel |

Note: Contact factory for other voltage options.

Absolute Maximum Ratings (Note 1)

If Military/Aerospace specified devices are required, please contact the National Semiconductor Sales Office/Distributors for availability and specifications.

| | |
|-----------------------------|--------------------|
| PVIN, AVIN, EN, SNS | -0.3V to 6.5V |
| ESD Susceptibility (Note 2) | 2kV |
| Power Dissipation | Internally Limited |
| Storage Temperature Range | -65°C to +150°C |
| Maximum Junction Temp. | 150°C |
| 14-Pin Exposed Pad TSSOP | |
| Package | 220°C |
| Infrared (15 sec) | 215°C |
| Vapor Phase (60 sec) | 260°C |
| Soldering (10 sec) | |

Operating Ratings

| | |
|----------------------|-----------------|
| PVIN to GND | 1.5V to 5.5V |
| AVIN to GND | 2.85V to 5.5V |
| Junction Temperature | -40°C to +125°C |
| θ_{JA} | 38°C/W |

Electrical Characteristics

AVIN = PVIN = 5V unless otherwise indicated under the **Conditions** column.

Limits in standard type are for $T_J = 25^\circ\text{C}$ only; limits in **boldface type** apply over the junction temperature (T_J) range of -40°C to $+125^\circ\text{C}$. Minimum and Maximum limits are guaranteed through test, design, or statistical correlation. Typical values represent the most likely parametric norm at $T_J = 25^\circ\text{C}$, and are provided for reference purposes only.

| Symbol | Parameter | Conditions | Min | Typ | Max | Units |
|------------------------------|--------------------------------|---|---------------|------|---------------|---------------|
| SYSTEM PARAMETERS | | | | | | |
| V_{OUT} | Voltage Tolerance ³ | $V_{OUT} = 0.8\text{V}$ option | 0.782 | | 0.818 | V |
| | | $V_{OUT} = 1.0\text{V}$ option | 0.9775 | | 1.0225 | |
| | | $V_{OUT} = 1.2\text{V}$ option | 1.1730 | | 1.2270 | |
| | | $V_{OUT} = 1.5\text{V}$ option | 1.4663 | | 1.5337 | |
| | | $V_{OUT} = 1.8\text{V}$ option | 1.7595 | | 1.8405 | |
| | | $V_{OUT} = 2.5\text{V}$ option | 2.4437 | | 2.5563 | |
| | | $V_{OUT} = 3.0\text{V}$ option | 2.9325 | | 3.0675 | |
| | | $V_{OUT} = 3.3\text{V}$ option | 3.2257 | | 3.3743 | |
| $\Delta V_{OUT}/\Delta AVIN$ | Line Regulation ³ | $V_{OUT} = 0.8\text{V}, 1.0\text{V}, 1.2\text{V}, 1.5\text{V}, 1.8\text{V}$ or 2.5V $2.85\text{V} \leq AVIN \leq 5.5\text{V}$ | | 0.2 | 0.6 | % |
| | | $V_{OUT} = 3.3\text{V}$ $3.5\text{V} \leq AVIN \leq 5.5\text{V}$ | | 0.2 | 0.6 | % |
| $\Delta V_{OUT}/\Delta I_O$ | Load Regulation | Normal operation | | 8 | | mV/A |
| V_{ON} | UVLO Threshold (AVIN) | Rising | | 2.47 | 2.85 | V |
| | | Falling Hysteresis | 85 | 150 | 210 | mV |
| $r_{DS(on)-P}$ | PFET On Resistance | $I_{sw} = 2\text{A}$ | | 75 | 140 | m Ω |
| $r_{DS(on)-N}$ | NFET On Resistance | $I_{sw} = 2\text{A}$ | | 55 | 120 | m Ω |
| R_{SS} | Soft-start resistance | | | 400 | | k Ω |
| I_{CL} | Peak Current Limit Threshold | LM2852X | 2.75 | 4 | 4.95 | A |
| | | LM2852Y | 2.25 | 3 | 3.65 | |
| I_Q | Operating Current | Non-switching | | 0.85 | 2 | mA |
| I_{SD} | Shutdown Quiescent Current | EN = 0V | | 10 | 25 | μA |
| R_{SNS} | Sense pin resistance | | | 400 | | k Ω |
| PWM | | | | | | |
| f_{osc} | LM2852X | 1500kHz option. | 1050 | 1500 | 1825 | kHz |
| | LM2852Y | 500kHz option. | 325 | 500 | 625 | kHz |

Electrical Characteristics AVIN = PVIN = 5V unless otherwise indicated under the **Conditions** column.

Limits in standard type are for $T_J = 25^\circ\text{C}$ only; limits in **boldface type** apply over the junction temperature (T_J) range of -40°C to $+125^\circ\text{C}$. Minimum and Maximum limits are guaranteed through test, design, or statistical correlation. Typical values represent the most likely parametric norm at $T_J = 25^\circ\text{C}$, and are provided for reference purposes only. (Continued)

| Symbol | Parameter | Conditions | Min | Typ | Max | Units |
|-----------------------------------|---------------------------------|------------|-----------|-----|------------|------------------|
| D_{range} | Duty Cycle Range | | 0 | | 100 | % |
| ENABLE CONTROL⁴ | | | | | | |
| V_{IH} | EN Pin Minimum High Input | | 75 | | | % of AVIN |
| V_{IL} | EN Pin Maximum Low Input | | | | 25 | % of AVIN |
| I_{EN} | EN Pin Pullup Current | EN = 0V | | 1.2 | | μA |
| THERMAL CONTROLS | | | | | | |
| T_{SD} | T_J for Thermal Shutdown | | | 165 | | $^\circ\text{C}$ |
| $T_{\text{SD-HYS}}$ | Hysteresis for Thermal Shutdown | | | 10 | | $^\circ\text{C}$ |

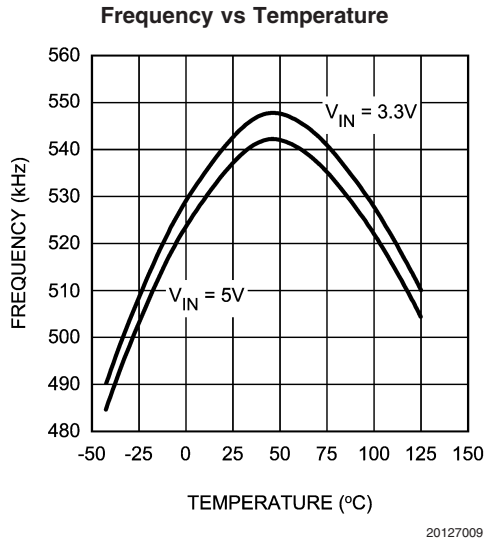
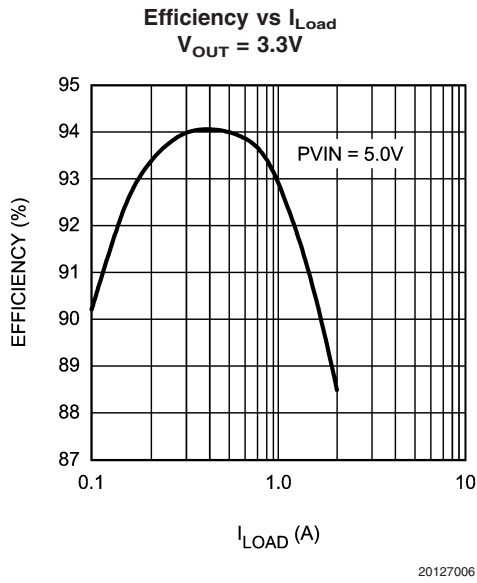
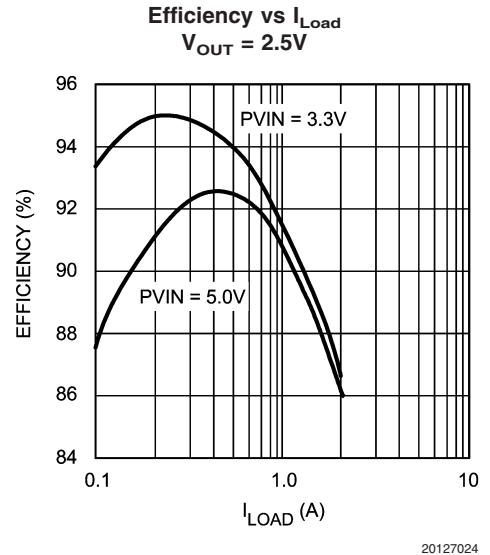
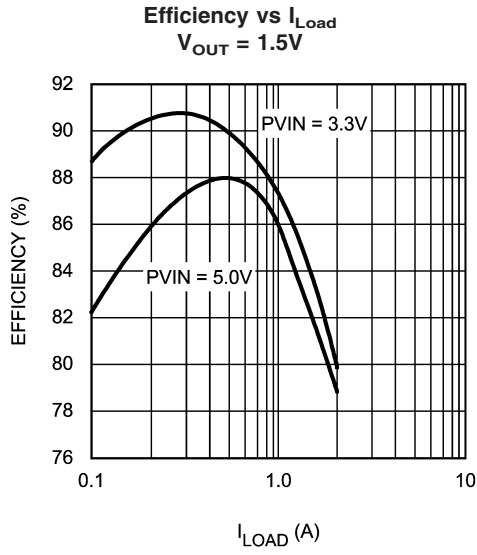
Note 1: Absolute maximum ratings indicate limits beyond which damage to the device may occur. Operating Range indicates conditions for which the device is intended to be functional, but does not guarantee specific performance limits. For guaranteed specifications and test conditions, see the Electrical Characteristics.

Note 2: Human body model: 1.5k Ω in series with 100pF. SW and PVIN pins are derated to 1.5kV

Note 3: V_{OUT} measured in a non-switching, closed-loop configuration at the SNS pin.

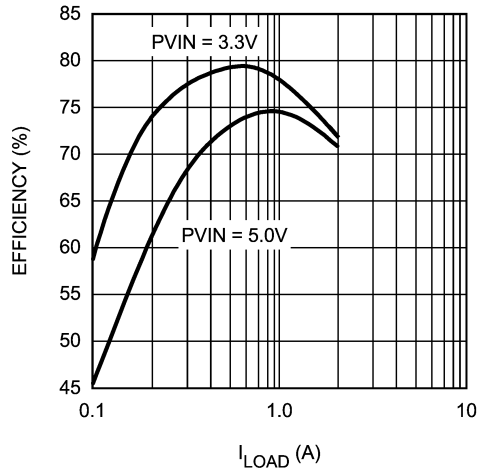
Note 4: The enable pin is internally pulled up, so the LM2852 is automatically enabled unless an external enable voltage is applied.

LM2852Y Typical Performance Characteristics (500kHz)



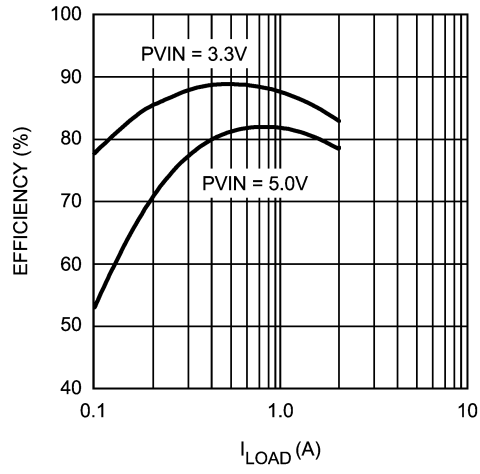
LM2852X Typical Performance Characteristics (1500kHz)

Efficiency vs I_{Load}
 $V_{OUT} = 1.5V$



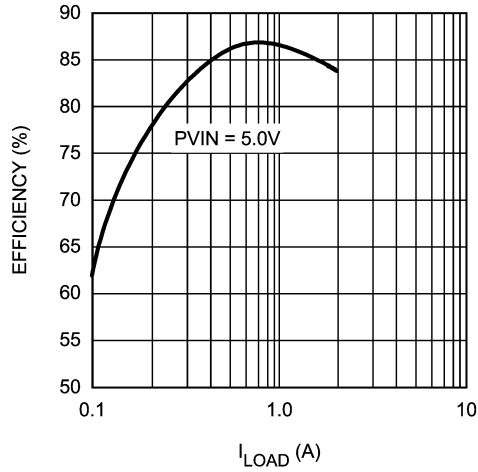
20127025

Efficiency vs I_{Load}
 $V_{OUT} = 2.5V$



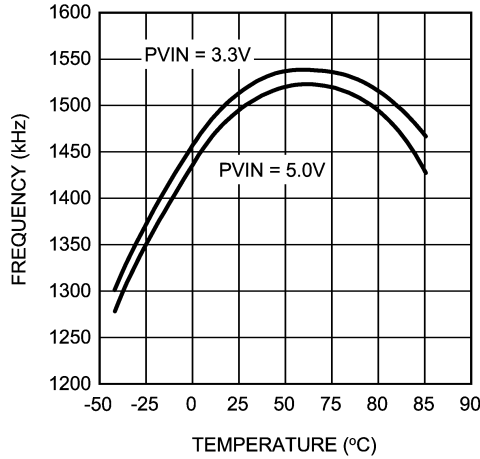
20127026

Efficiency vs I_{Load}
 $V_{OUT} = 3.3V$



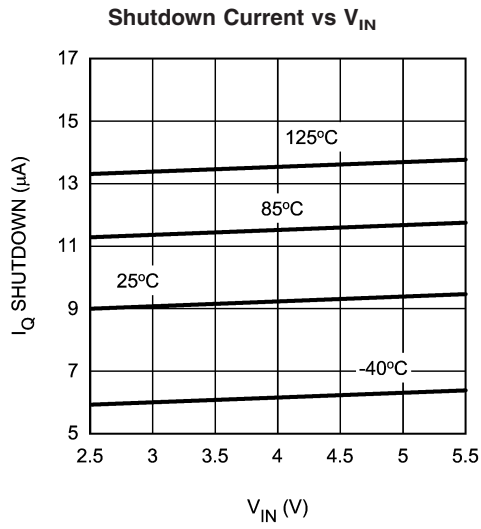
20127027

Frequency vs Temperature

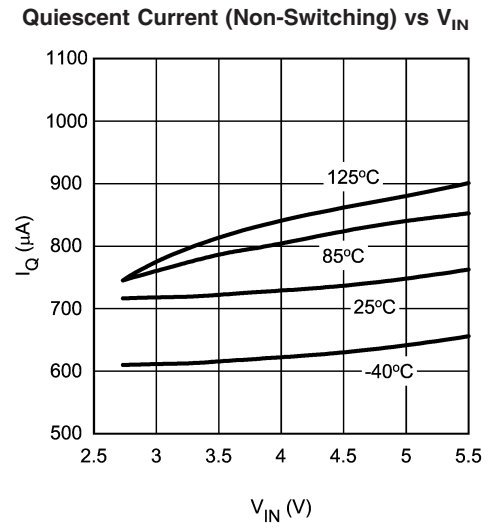


20127028

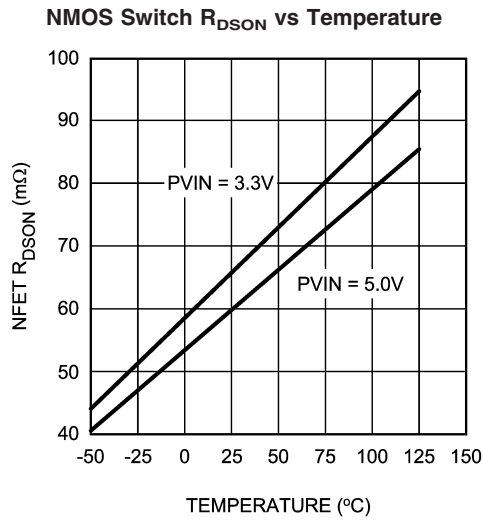
LM2852 Typical Performance Characteristics (Both Y and X Versions)



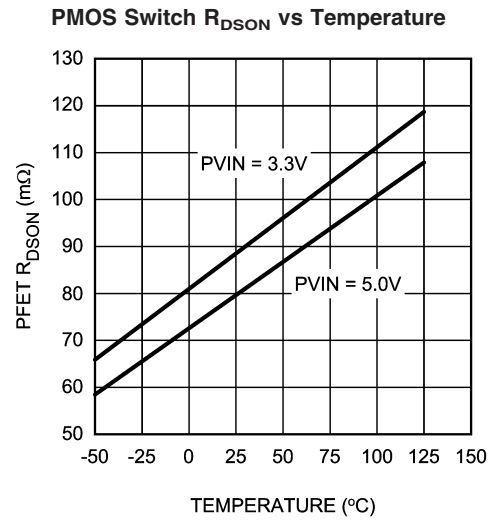
20127008



20127007

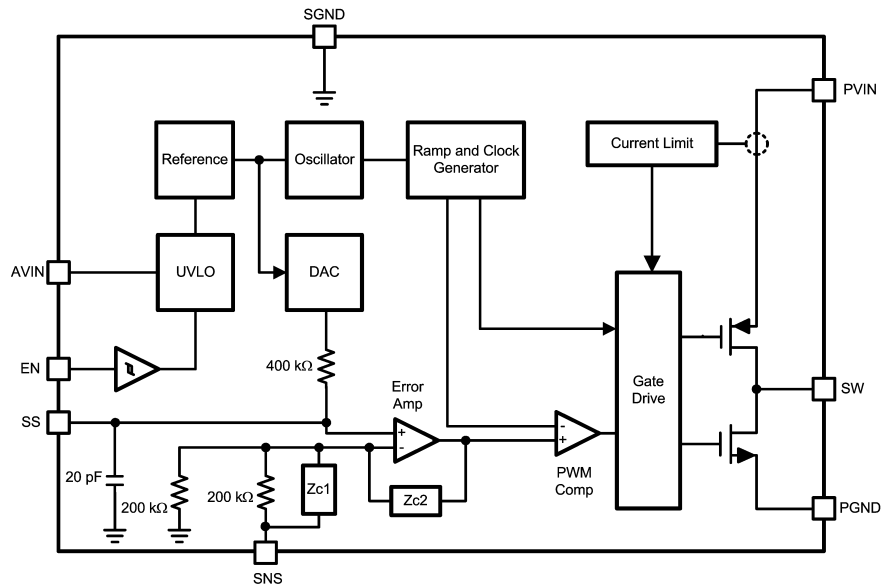


20127010



20127011

Block Diagram



20127012

Applications Information

The LM2852 is a DC-DC synchronous buck regulator belonging to National Semiconductor's SIMPLE SWITCHER® family. Integration of the PWM controller, power switches and compensation network greatly reduces the component count required to implement a switching power supply. A typical application requires only four components: an input capacitor, a soft-start capacitor, an output filter capacitor and an output filter inductor.

INPUT CAPACITOR (C_{IN})

Fast switching of large currents in the buck converter places a heavy demand on the voltage source supplying PVIN. The input capacitor, C_{IN} , supplies extra charge when the switcher needs to draw a burst of current from the supply. The RMS current rating and the voltage rating of the C_{IN} capacitor are therefore important in the selection of C_{IN} . The RMS current specification can be approximated by:

$$I_{RMS} = I_{LOAD} \sqrt{D(1-D)}$$

where D is the duty cycle, V_{OUT}/V_{IN} . C_{IN} also provides filtering of the supply. Trace resistance and inductance degrade the benefits of the input capacitor, so C_{IN} should be placed very close to PVIN in the layout. A 22 μ F or 47 μ F ceramic capacitor is typically sufficient for C_{IN} . In parallel with the large input capacitance a smaller capacitor may be added such as a 1 μ F ceramic for higher frequency filtering.

SOFT-START CAPACITOR (C_{SS})

The DAC that sets the reference voltage of the error amp sources a current through a resistor to set the reference voltage. The reference voltage is one half of the output voltage of the switcher due to the 200k Ω divider connected to the SNS pin. Upon start-up, the output voltage of the switcher tracks the reference voltage with a two to one ratio as the DAC current charges the capacitance connected to the reference voltage node. Internal capacitance of 20pF is permanently attached to the reference voltage node which is

also connected to the soft-start pin, SS. Adding a soft-start capacitor externally increases the time it takes for the output voltage to reach its final level.

The charging time required for the reference voltage can be estimated using the RC time constant of the DAC resistor and the capacitance connected to the SS pin. Three RC time constant periods are needed for the reference voltage to reach 95% of its final value. The actual start-up time will vary with differences in the DAC resistance and higher-order effects.

If little or no soft-start capacitance is connected, then the start-up time may be determined by the time required for the current limit current to charge the output filter capacitance. The capacitor charging equation $I = C \Delta V / \Delta t$ can be used to estimate the start-up time in this case. For example, a part with a 3V output, a 100 μ F output capacitance and a 3A current limit threshold would require a time of 100 μ s:

$$\Delta t = C \frac{\Delta V}{I} = 100 \mu\text{F} \frac{3\text{V}}{3\text{A}} = 100 \mu\text{s}$$

Since it is undesirable for the power supply to start up in current limit, a soft-start capacitor must be chosen to force the LM2852 to start up in a more controlled fashion based on the charging of the soft-start capacitance. In this example, suppose a 3 ms start time is desired. Three time constants are required for charging the soft-start capacitor to 95% of the final reference voltage. So in this case $RC=1\text{ms}$. The DAC resistor, R , is 400 k Ω so C can be calculated to be 2.5nF. A 2.7nF ceramic capacitor can be chosen to yield approximately a 3ms start-up time.

SOFT-START CAPACITOR (C_{SS}) AND FAULT CONDITIONS

Various fault conditions such as short circuit and UVLO of the LM2852 activate internal circuitry designed to control the voltage on the soft-start capacitor. For example, during a short circuit current limit event, the output voltage typically

Applications Information (Continued)

falls to a low voltage. During this time, the soft-start voltage is forced to track the output so that once the short is removed, the LM2852 can restart gracefully from whatever voltage the output reached during the short circuit event. The range of soft-start capacitors is therefore restricted to values 1nF to 50nF.

COMPENSATION

The LM2852 provides a highly integrated solution to power supply design. The compensation of the LM2852, which is

type-three, is included on-chip. The benefit to integrated compensation is straightforward, simple power supply design. Since the output filter capacitor and inductor values impact the compensation of the control loop, the range of L, C and C_{ESR} values is restricted in order to ensure stability.

OUTPUT FILTER VALUES

Table 1 details the recommended inductor and capacitor ranges for the LM2852 that are suggested for various typical output voltages. Values slightly different than those recommended may be used, however the phase margin of the power supply may be degraded.

TABLE 1. Output Filter Values

| Frequency Option | V_{OUT} (V) | P_{VIN} (V) | L (μ H) | | C (μ F) | | C_{ESR} (m Ω) | |
|----------------------|---------------|---------------|--------------|-----|--------------|-----|-------------------------|-----|
| | | | Min | Max | Min | Max | Min | Max |
| LM2852Y (500kHz) | 0.8 | 3.3 | 10 | 15 | 100 | 220 | 70 | 200 |
| | 0.8 | 5.0 | 10 | 15 | 100 | 120 | 70 | 200 |
| | 1.0 | 3.3 | 10 | 15 | 100 | 180 | 70 | 200 |
| | 1.0 | 5.0 | 10 | 15 | 100 | 180 | 70 | 200 |
| | 1.2 | 3.3 | 10 | 15 | 100 | 180 | 70 | 200 |
| | 1.2 | 5.0 | 15 | 22 | 100 | 120 | 70 | 200 |
| | 1.5 | 3.3 | 10 | 15 | 100 | 120 | 70 | 200 |
| | 1.5 | 5.0 | 22 | 22 | 100 | 120 | 70 | 200 |
| | 1.8 | 3.3 | 10 | 15 | 100 | 120 | 100 | 200 |
| | 1.8 | 5.0 | 22 | 33 | 100 | 120 | 100 | 200 |
| | 2.5 | 3.3 | 6.8 | 10 | 68 | 120 | 95 | 275 |
| | 2.5 | 5.0 | 15 | 22 | 68 | 120 | 95 | 275 |
| | 3.3 | 5.0 | 15 | 22 | 68 | 100 | 100 | 275 |
| LM2852X (1500kHz) | 0.8 | 3.3 | 1 | 10 | 10 | 10 | 100 | 200 |
| | 0.8 | 5.0 | | | | | | |
| | 1.0 | 3.3 | | | | | | |
| | 1.0 | 5.0 | | | | | | |
| | 1.2 | 3.3 | | | | | | |
| | 1.2 | 5.0 | | | | | | |
| | 1.5 | 3.3 | | | | | | |
| | 1.5 | 5.0 | | | | | | |
| | 1.8 | 3.3 | | | | | | |
| | 1.8 | 5.0 | | | | | | |
| | 2.5 | 3.3 | | | | | | |
| | 2.5 | 5.0 | | | | | | |
| 3.3 | 5.0 | | | | | | | |

The 1500kHz version is designed for ceramic output capacitors which typically have very low ESR (<10m Ω .)

Applications Information (Continued)

CHOOSING AN INDUCTANCE VALUE

The current ripple present in the output filter inductor is determined by the input voltage, output voltage, switching frequency and inductance according to the following equation:

$$\Delta I_L = \frac{D \times (V_{IN} - V_{OUT})}{f \times L}$$

where ΔI_L is the peak-to-peak current ripple, D is the duty cycle V_{OUT}/V_{IN} , V_{IN} is the input voltage applied to the PVIN pin, V_{OUT} is the output voltage of the switcher, f is the switching frequency and L is the inductance of the output filter inductor. Knowing the current ripple is important for inductor selection since the peak current through the inductor is the load current plus one half the ripple current. Care must be taken to ensure the peak inductor current does not reach a level high enough to trip the current limit circuitry of the LM2852.

As an example, consider a 5V to 1.2V conversion and a 500kHz switching frequency. According to *Table 1*, a 15 μ H inductor may be used. Calculating the expected peak-to-peak ripple,

$$\Delta I_L = \frac{\frac{1.2V}{5V} \times (5V - 1.2V)}{500 \text{ kHz} \times 15 \mu\text{H}} = 121.6 \text{ mA}$$

The maximum inductor current for a 2A load would therefore be 2A plus 60.8 mA, 2.0608A. As shown in the ripple equation, the current ripple is inversely proportional to inductance.

OUTPUT FILTER INDUCTORS

Once the inductance value is chosen, the key parameter for selecting the output filter inductor is its saturation current (I_{sat}) specification. Typically I_{sat} is given by the manufacturer as the current at which the inductance of the coil falls to a certain percentage of the nominal inductance. The I_{sat} of an inductor used in an application should be greater than the maximum expected inductor current to avoid saturation. Below is a table of inductors that may be suitable in LM2852 applications.

TABLE 2. LM2852 Output Filter Inductors

| Inductance (μ H) | Part Number | Vendor |
|-----------------------|----------------|-----------|
| 1 | DO1608C-102 | Coilcraft |
| 1 | DO1813P-102HC | Coilcraft |
| 6.8 | DO3316P-682 | Coilcraft |
| 7 | MSS1038-702NBC | Coilcraft |
| 10 | DO3316P-103 | Coilcraft |
| 10 | MSS1038-103NBC | Coilcraft |
| 12 | MSS1038-123NBC | Coilcraft |
| 15 | D03316P-153 | Coilcraft |
| 15 | MSS1038-153NBC | Coilcraft |
| 18 | MSS1038-183NBC | Coilcraft |
| 22 | DO3316P-223 | Coilcraft |
| 22 | MSS1038-223NBC | Coilcraft |
| 22 | DO3340P-223 | Coilcraft |
| 27 | MSS1038-273NBC | Coilcraft |
| 33 | MSS1038-333NBC | Coilcraft |
| 33 | DO3340P-333 | Coilcraft |

Applications Information (Continued)

Table 1. Below are some examples of capacitors that can typically be used in an LM2852 application.

OUTPUT FILTER CAPACITORS

The capacitors that may be used in the output filter with the LM2852 are limited in value and ESR range according to

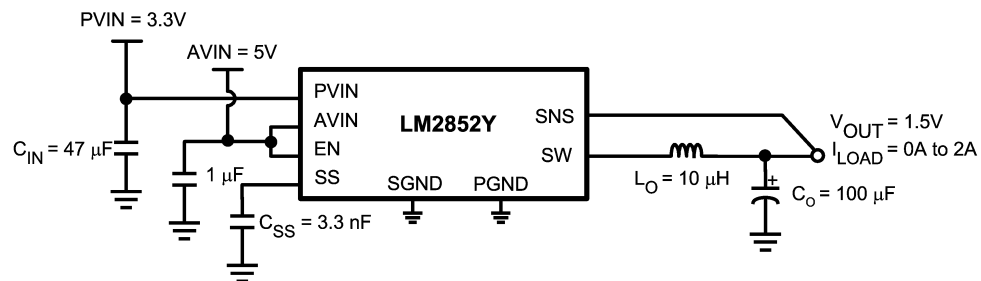
TABLE 3. LM2852 Output Filter Capacitors

| Capacitance (μF) | Part Number | Chemistry | Vendor |
|-------------------------------|-------------------|---------------|------------------|
| 10 | GRM31MR61A106KE19 | Ceramic | Murata |
| 10 | GRM32DR61E106K | Ceramic | Murata |
| 68 | 595D686X_010C2T | Tantalum | Vishay - Sprague |
| 68 | 595D686X_016D2T | Tantalum | Vishay - Sprague |
| 100 | 595D107X_6R3C2T | Tantalum | Vishay - Sprague |
| 100 | 595D107X_016D2T | Tantalum | Vishay - Sprague |
| 100 | NOSC107M004R0150 | Niobium Oxide | AVX |
| 100 | NOSD107M006R0100 | Niobium Oxide | AVX |
| 120 | 595D127X_004C2T | Tantalum | Vishay - Sprague |
| 120 | 595D127X_010D2T | Tantalum | Vishay - Sprague |
| 150 | 595D157X_004C2T | Tantalum | Vishay - Sprague |
| 150 | 595D157X_016D2T | Tantalum | Vishay - Sprague |
| 150 | NOSC157M004R0150 | Niobium Oxide | AVX |
| 150 | NOSD157M006R0100 | Niobium Oxide | AVX |
| 220 | 595D227X_004D2T | Tantalum | Vishay - Sprague |
| 220 | NOSD227M004R0100 | Niobium Oxide | AVX |
| 220 | NOSE227M006R0100 | Niobium Oxide | AVX |

SPLIT-RAIL OPERATION

The LM2852 can be powered using two separate voltages for AVIN and PVIN. AVIN is the supply for the control logic; PVIN is the supply for the power FETs. The output filter

components need to be chosen based on the value of PVIN. For PVIN levels lower than 3.3V, use output filter component values recommended for 3.3V. PVIN must always be equal to or less than AVIN.



20127014

SWITCH NODE PROTECTION

The LM2852 includes protection circuitry that monitors the voltage on the switch pin. Under certain conditions, switching is disabled in order to protect the switching devices. One result of the protection circuitry may be observed when

power to the LM2852 is applied with no or light load on the output. The output regulates to the rated voltage, but no switching may be observed. As soon as the output is loaded, the LM2852 begins normal switching operation.

Applications Information (Continued)

LAYOUT HINTS

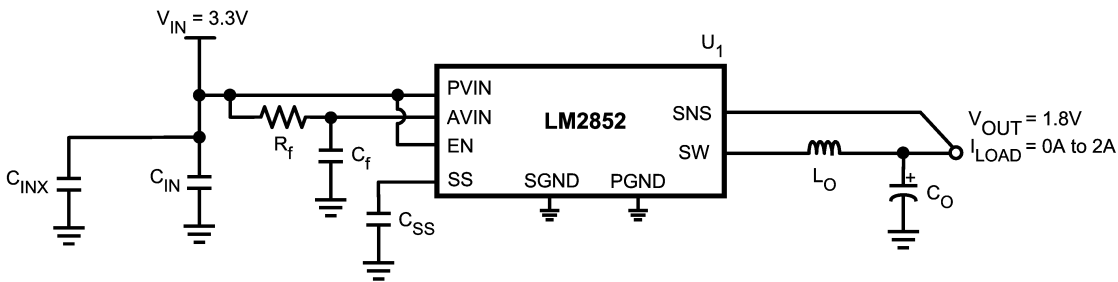
These are several guidelines to follow while designing the PCB layout for an LM2852 application.

1. The input bulk capacitor, C_{IN} , should be placed very close to the PVIN pin to keep the resistance as low as possible between the capacitor and the pin. High current levels will be present in this connection.
2. All ground connections must be tied together. Use a broad ground plane, for example a completely filled back plane, to establish the lowest resistance possible between all ground connections.
3. The sense pin connection should be made as close to the load as possible so that the voltage at the load is the

expected regulated value. The sense line should not run too close to nodes with high EMI (such as the switch node) to minimize interference.

4. The switch node connections should be low resistance to reduce power losses. Low resistance means the trace between the switch pin and the inductor should be wide. However, the area of the switch node should not be too large since EMI increases with greater area. So connect the inductor to the switch pin with a short, but wide trace. Other high current connections in the application such as PVIN and V_{OUT} assume the same trade off between low resistance and EMI.
5. Allow area under the chip to solder the entire exposed die attach pad to ground for improved thermal and electrical performance.

LM2852 Example Circuit Schematic



20127020

FIGURE 1.

Bill of Materials for 500kHz (LM2852Y) 3.3V_{IN} to 1.8 V_{OUT} Conversion

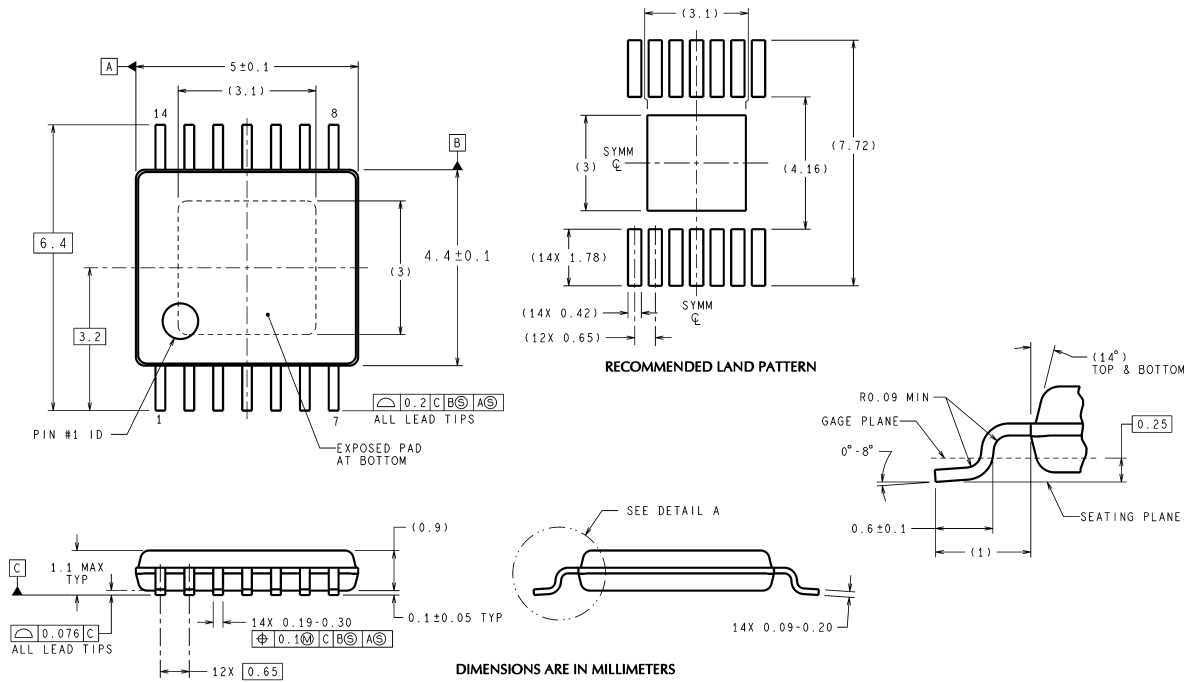
| ID | Part Number | Type | Size | Parameters | Qty | Vendor |
|------------------|--------------------|-----------|---------------|---------------|-----|-----------------|
| U ₁ | LM2852YMXA-1.8 | 2A Buck | ETSSOP-14 | | 1 | NSC |
| L _O | DO3316P-153 | Inductor | | 15 μH | 1 | Coilcraft |
| C _O * | 595D107X_6R3C2T | Capacitor | Case Code "C" | 100 μF ±20% | 1 | Vishay-Sprague |
| C _{IN} | GRM32ER60J476ME20B | Capacitor | 1210 | 47μF/X5R/6.3V | 1 | Murata |
| C _{INX} | GRM21BR71C105KA01B | Capacitor | 0805 | 1μF/X7R/16V | 1 | Murata |
| C _{SS} | VJ0805Y272KXXA | Capacitor | 0805 | 2.7nF ±10% | 1 | Vishay-Vitramon |
| R _f | CRCW060310R0F | Resistor | 0603 | 10Ω ±10% | 1 | Vishay-Dale |
| C _f | GRM21BR71C105KA01B | Capacitor | 0805 | 1μF/X7R/16V | 1 | Murata |

* If a "non-tantalum" solution is desired use an NOSC107M004R0150, 100 μF capacitor from AVX for C_O.

Bill of Materials for 1500kHz (LM2852X) 3.3V to 1.8V Conversion

| ID | Part Number | Type | Size | Parameters | Qty | Vendor |
|------------------|--------------------|-----------|-----------|---------------|-----|-----------------|
| U ₁ | LM2852XMXA-1.8 | 2A Buck | ETSSOP-14 | | 1 | NSC |
| L _O | DO1813P-102HC | Inductor | | 1 μH | 1 | Coilcraft |
| C _O | GRM32DR61E106K | Capacitor | 1210 | 10 μF/X5R/25V | 1 | Murata |
| C _{IN} | GRM32ER60J476ME20B | Capacitor | 1210 | 47μF/X5R/6.3V | 1 | Murata |
| C _{INX} | GRM21BR71C105KA01B | Capacitor | 0805 | 1μF/X7R/16V | 1 | Murata |
| C _{SS} | VJ0805Y272KXXA | Capacitor | 0805 | 2.7nF ±10% | 1 | Vishay-Vitramon |
| R _f | CRCW060310R0F | Resistor | 0603 | 10Ω ±10% | 1 | Vishay-Dale |
| C _f | GRM21BR71C105KA01B | Capacitor | 0805 | 1μF/X7R/16V | 1 | Murata |

Physical Dimensions inches (millimeters) unless otherwise noted



14-Lead ETSSOP Package
NS Package Number MXA14A

MXA14A (Rev A)

National does not assume any responsibility for use of any circuitry described, no circuit patent licenses are implied and National reserves the right at any time without notice to change said circuitry and specifications.

For the most current product information visit us at www.national.com.

LIFE SUPPORT POLICY

NATIONAL'S PRODUCTS ARE NOT AUTHORIZED FOR USE AS CRITICAL COMPONENTS IN LIFE SUPPORT DEVICES OR SYSTEMS WITHOUT THE EXPRESS WRITTEN APPROVAL OF THE PRESIDENT AND GENERAL COUNSEL OF NATIONAL SEMICONDUCTOR CORPORATION. As used herein:

1. Life support devices or systems are devices or systems which, (a) are intended for surgical implant into the body, or (b) support or sustain life, and whose failure to perform when properly used in accordance with instructions for use provided in the labeling, can be reasonably expected to result in a significant injury to the user.
2. A critical component is any component of a life support device or system whose failure to perform can be reasonably expected to cause the failure of the life support device or system, or to affect its safety or effectiveness.

BANNED SUBSTANCE COMPLIANCE

National Semiconductor follows the provisions of the Product Stewardship Guide for Customers (CSP-9-111C2) and Banned Substances and Materials of Interest Specification (CSP-9-111S2) for regulatory environmental compliance. Details may be found at: www.national.com/quality/green.

Lead free products are RoHS compliant.



National Semiconductor
Americas Customer
Support Center
Email: new.feedback@nsc.com
Tel: 1-800-272-9959

National Semiconductor
Europe Customer Support Center
Fax: +49 (0) 180-530 85 86
Email: europa.support@nsc.com
Deutsch Tel: +49 (0) 69 9508 6208
English Tel: +44 (0) 870 24 0 2171
Français Tel: +33 (0) 1 41 91 8790

National Semiconductor
Asia Pacific Customer
Support Center
Email: ap.support@nsc.com

National Semiconductor
Japan Customer Support Center
Fax: 81-3-5639-7507
Email: jpn.feedback@nsc.com
Tel: 81-3-5639-7560