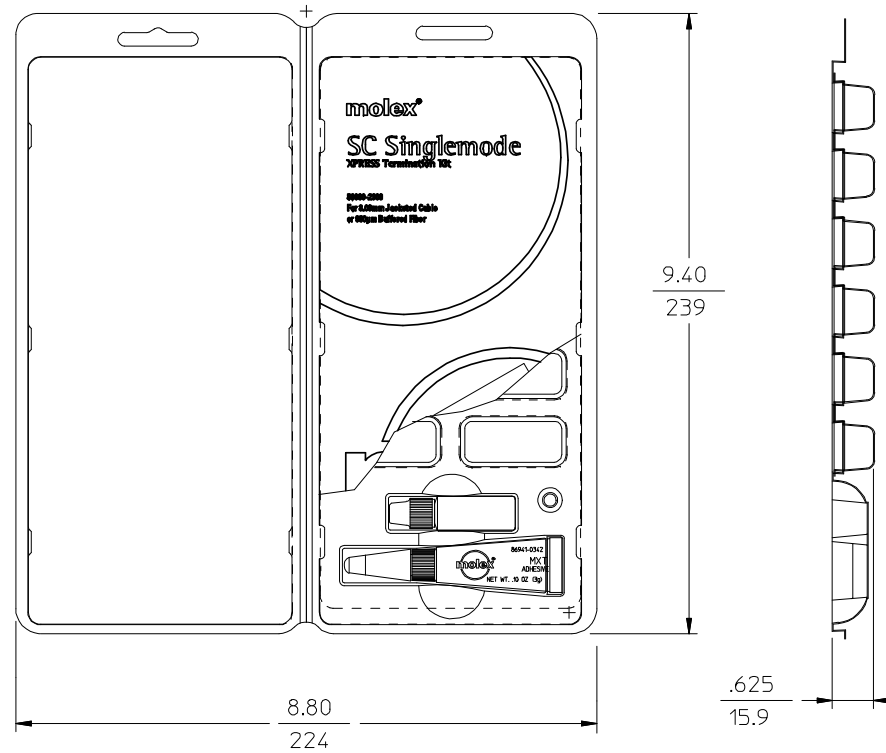


10 9 8 7 6 5 4 3 2 1



NOTES:

1. THE TWELVE SMALL COMPARTMENTS EACH CONTAIN THE COMPONENTS FOR ONE COMPLETE SC MXT CONNECTOR.
2. THE LARGE COMPARTMENTS CONTAIN ONE TUBE OF "MXT ADHESIVE" AND ONE BOTTLE OF ACCELERANT.

ENTER DESCRIPTION EEC NO: MF2008-0513 DRAWN:KPEVZNER CHKD: APPR:IGUMIN 2008/05/20 2008/05/20 2008/05/20	QUALITY SYMBOLS ▽=0 ▽=0	GENERAL TOLERANCES (UNLESS SPECIFIED)		DIMENSION STYLE IN/MM		SCALE 1:2	DESIGN UNITS INCH	THIRD ANGLE PROJECTION	
		4 PLACES	±---	±---	DRAWN BY	DATE	TITLE XPRESS TERMINATION PACKAGE SC VERSION, SM		
		3 PLACES	±---	±---	CHECKED BY	DATE			
		2 PLACES	±---	±---	APPROVED BY	DATE	MOLEX MOLEX INCORPORATED		
DRAFT WHERE APPLICABLE MUST REMAIN WITHIN DIMENSIONS		ANGULAR ±1/2°		MATERIAL NO. 1060002300		DOCUMENT NO. SD-106000-2300		SHEET NO. 1 OF 01	
A1	REV	THIS DRAWING CONTAINS INFORMATION THAT IS PROPRIETARY TO MOLEX INCORPORATED AND SHOULD NOT BE USED WITHOUT WRITTEN PERMISSION							

9 8 7 6 5 4 3 2 1