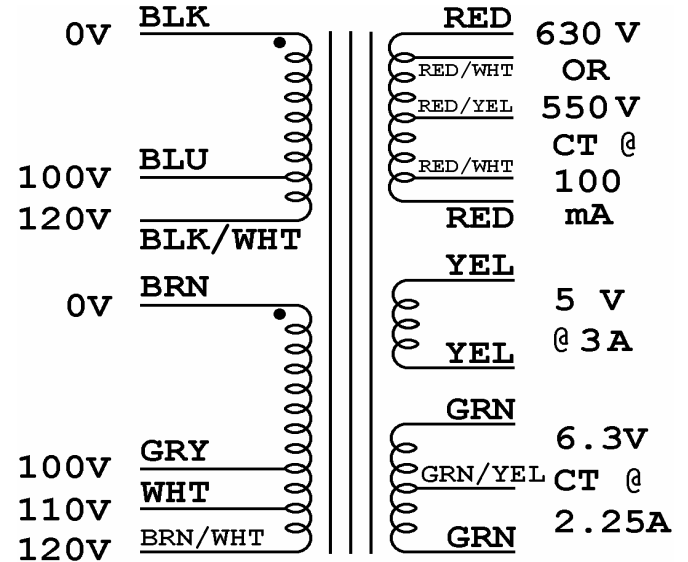
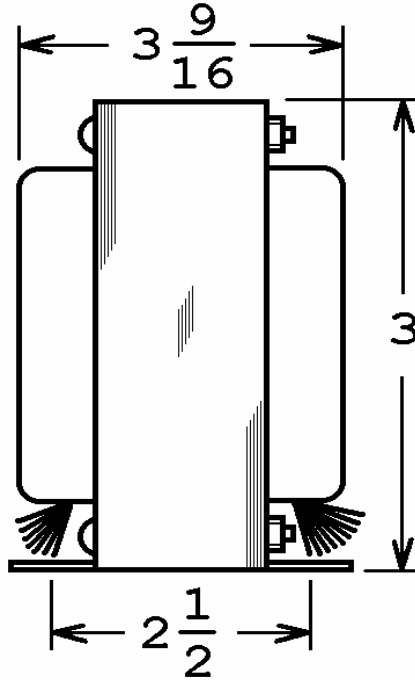
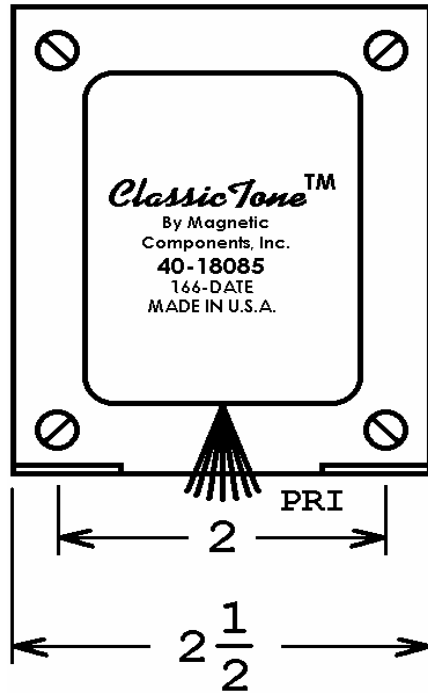


This drawing is the property of Magnetic Components, Inc. and shall not be reproduced, in whole or in part, without the written permission of Magnetic Components, Inc.

| REVISIONS |                         |          |             |
|-----------|-------------------------|----------|-------------|
| LTR       | DESCRIPTION             | DATE     | APPROVED    |
| A         | 5V @ 3A WAS 2A IN ERROR | 08/08/14 | M. SACKETTI |
| B         | 6.3V WAS 2A             | 02/02/17 | M. SACKETTI |



SEE SHEET 2 FOR PRIMARY CONNECTIONS

**PLATE WINDING :**

315V-0-315V (630V CT) RED-RED/YEL-RED OR  
275V-0-275V (550V CT) RED/WHT-RED/YEL-RED/WHT

SEE CHART BELOW FOR B+ VOLTAGES

**PLATE VOLTAGES**

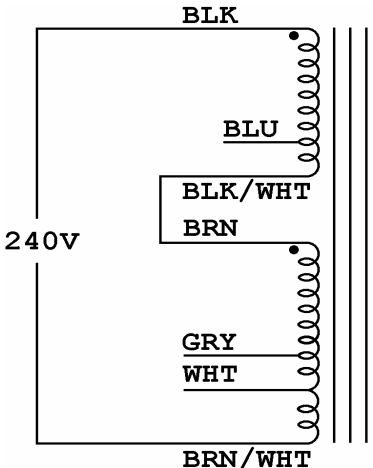
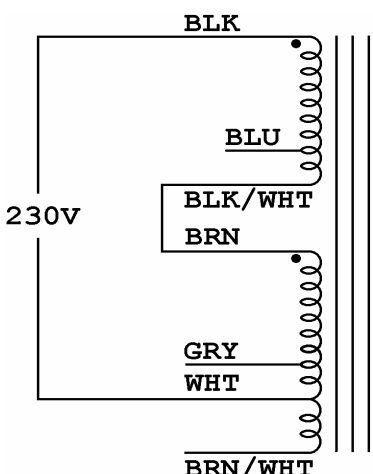
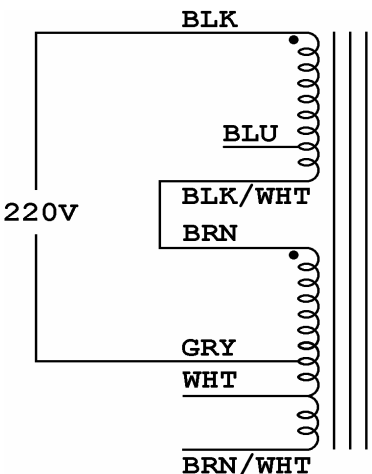
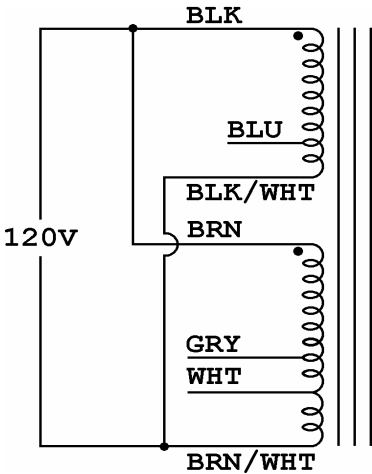
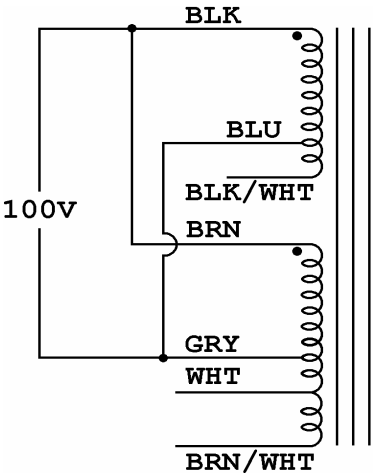
VALUES BELOW @ 100mADC LOAD WITH 120V, 60CY INPUT

| TAPS | RECT.  | B+     |
|------|--------|--------|
| RED  | 5Y3GT  | 363VDC |
| RED  | 5AR4   | 375VDC |
| RED  | 1N4007 | 398VDC |
| R/W  | 5Y3GT  | 315VDC |
| R/W  | 5AR4   | 326VDC |
| R/W  | 1N4007 | 349VDC |

| UNLESS OTHERWISE SPECIFIED                    |  | SIGNATURES                 |  | DATE        | MAGNETIC COMPONENTS, INC. |          |   | DIV :             |  |
|---|--|----------------------------|--|-------------|---------------------------|----------|---|-------------------|--|
| ALL DIMENSIONS IN INCHES DO NOT SCALE DRAWING |  | DRAWN : <i>M. Sacketti</i> |  | 03 FEB 2012 | TITLE                     |          |   | LOC : SCHILLER PK |  |
| CHECK :                                       |  | APPR : <i>M. Sacketti</i>  |  | 03 FEB 2012 | POWER TRANSFORMER         |          |   | REV               |  |
| FRACTIONS +/-                                 |  | CAGE                       |  | 50508       | SIZE                      | PART No. |   | A                 |  |
| .X = +/-                                      |  | SCALE                      |  | NONE        | 40-18085                  |          | B |                   |  |
| .XX = +/-                                     |  | SHEET :                    |  | 1 OF 2      |                           |          |   |                   |  |
| .XXX = +/-                                    |  |                            |  |             |                           |          |   |                   |  |
| ANGLES = +/-                                  |  |                            |  |             |                           |          |   |                   |  |

This drawing is the property of Magnetic Components, Inc. and shall not be reproduced, in whole or in part, without the written permission of Magnetic Components, Inc.

| REVISIONS |             |      |          |
|-----------|-------------|------|----------|
| LTR       | DESCRIPTION | DATE | APPROVED |



|  |                          |  |             |                                  |                  |                             |                 |
|--|--------------------------|--|-------------|----------------------------------|------------------|-----------------------------|-----------------|
| UNLESS OTHERWISE SPECIFIED<br>ALL DIMENSIONS IN INCHES<br>DO NOT SCALE DRAWING<br>FRACTIONS +/-<br>.X = +/-<br>.XX = +/-<br>.XXX = +/-<br>ANGLES = +/- | SIGNATURES               |  | DATE        | MAGNETIC COMPONENTS, INC.        |                  | DIV :<br>LOC : SCHILLER PK  |                 |
|  | DRAWN : <i>Muf</i>       |  | 03 FEB 2012 | TITLE<br>PRIMARY WIRING DIAGRAMS |                  |                             |                 |
|  | CHECK :                  |  |             |                                  |                  |                             |                 |
|  | APPR : <i>M. Locketa</i> |  | 03 FEB 2012 | CAGE 50508                       | SIZE<br><b>A</b> | PART No.<br><b>40-18085</b> | REV<br><b>B</b> |
|  |                          |  | SCALE NONE  | SHEET : 2 OF 2                   |                  |                             |                 |