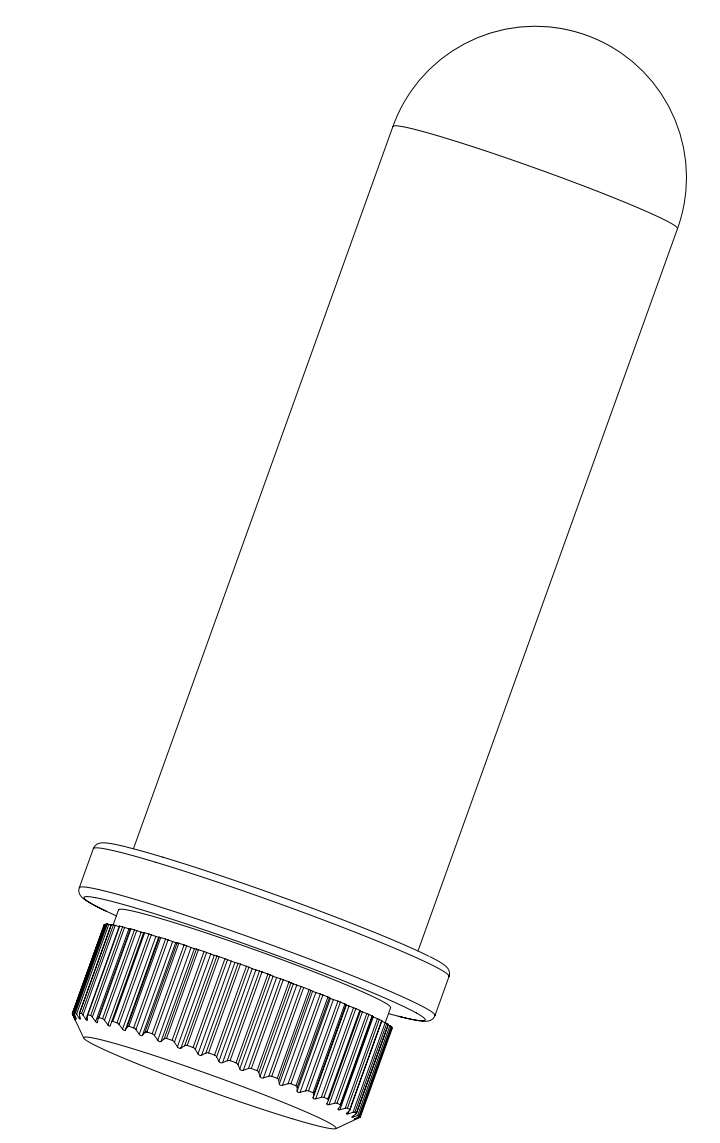
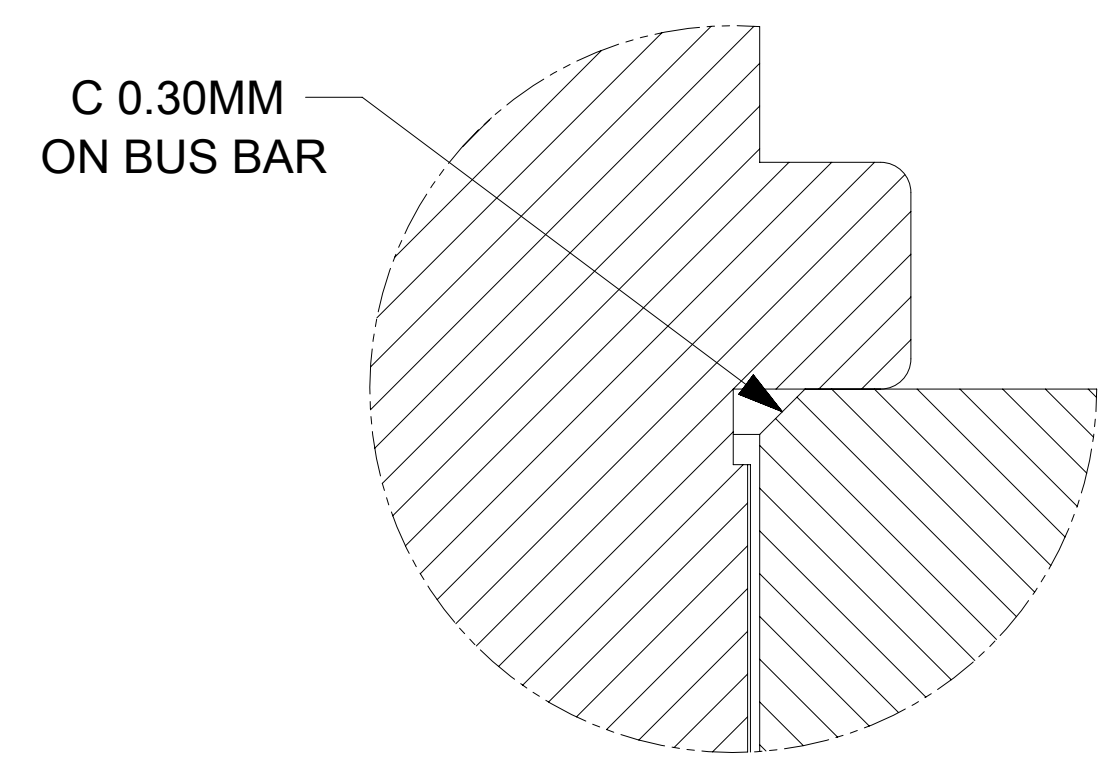
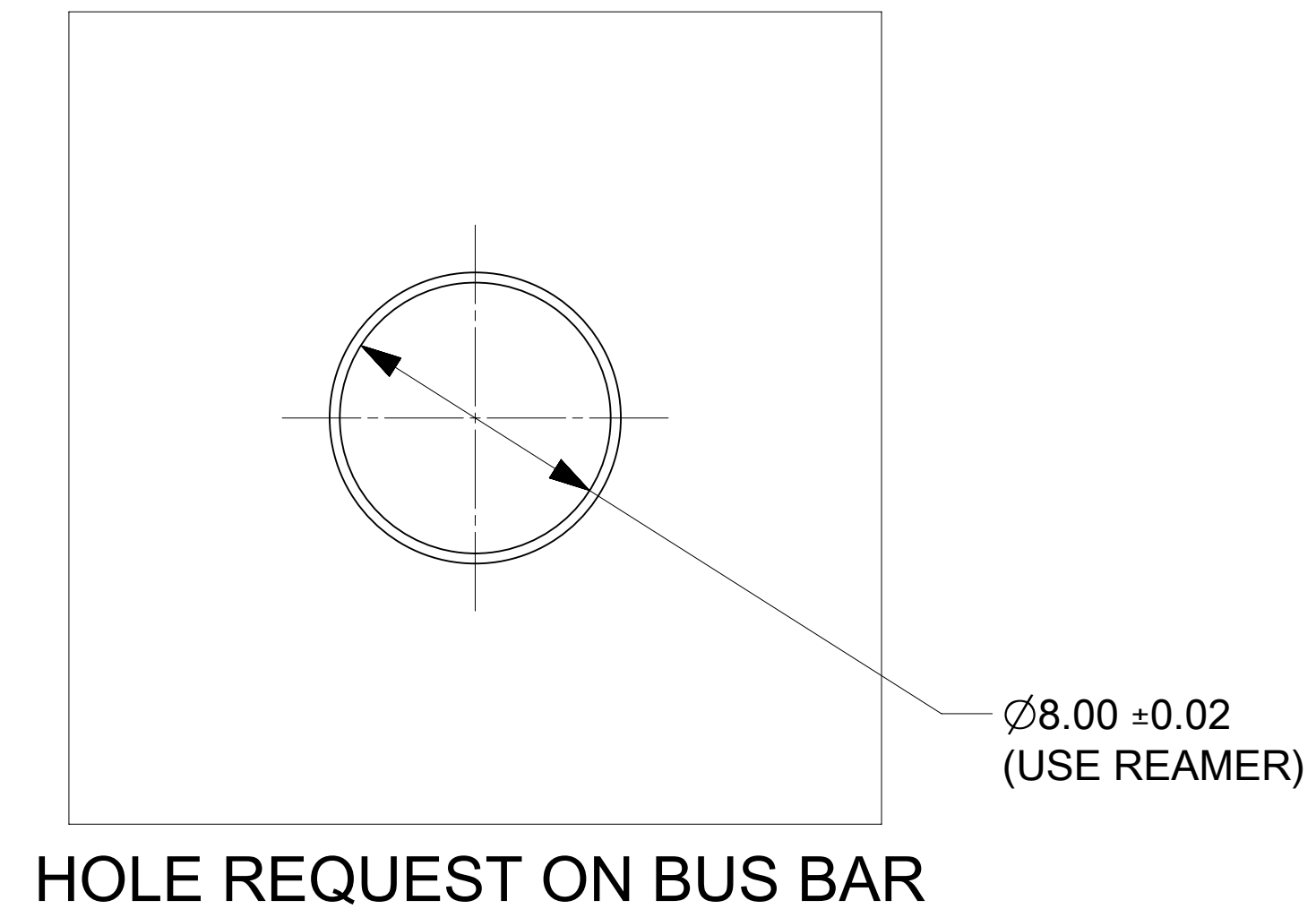
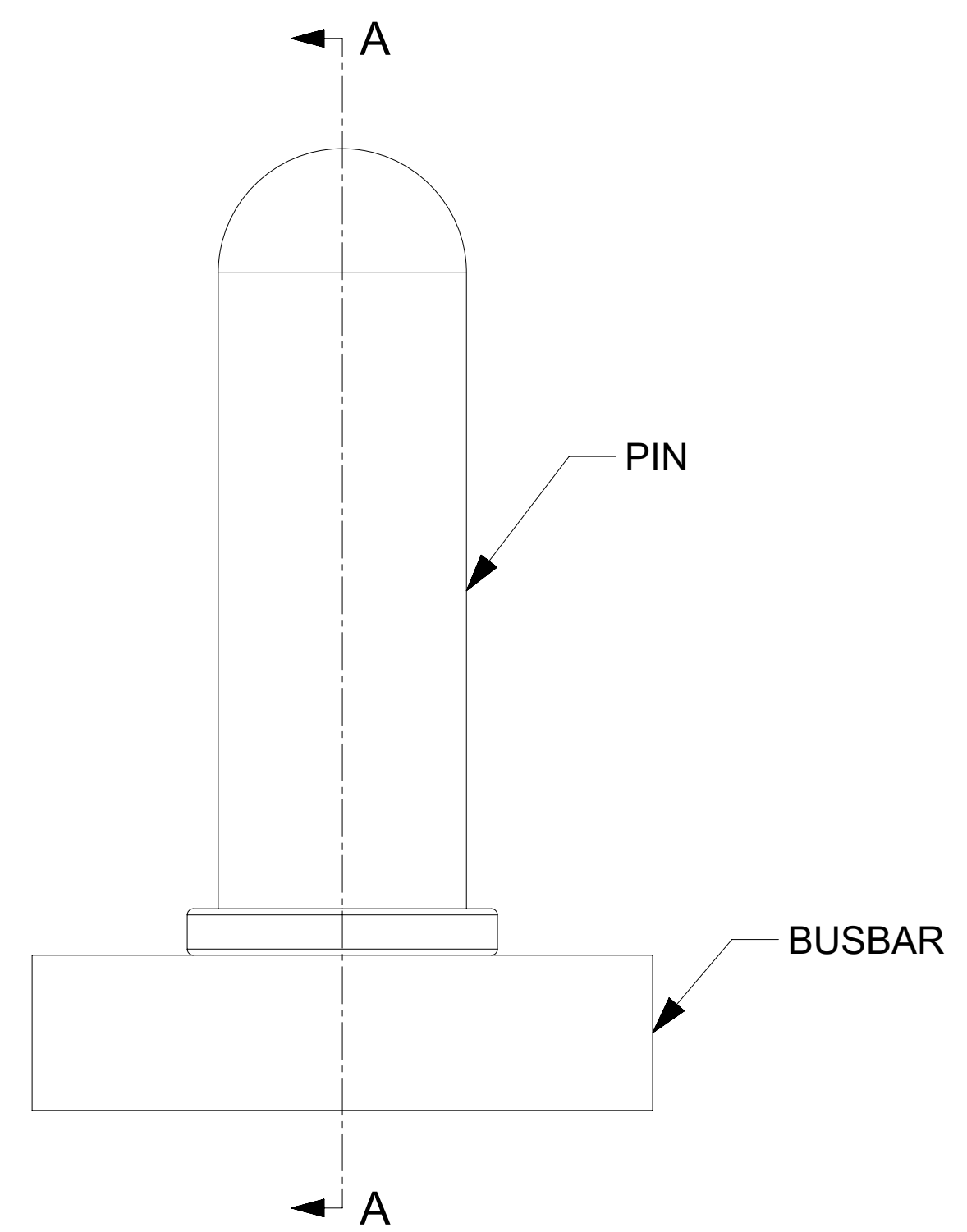
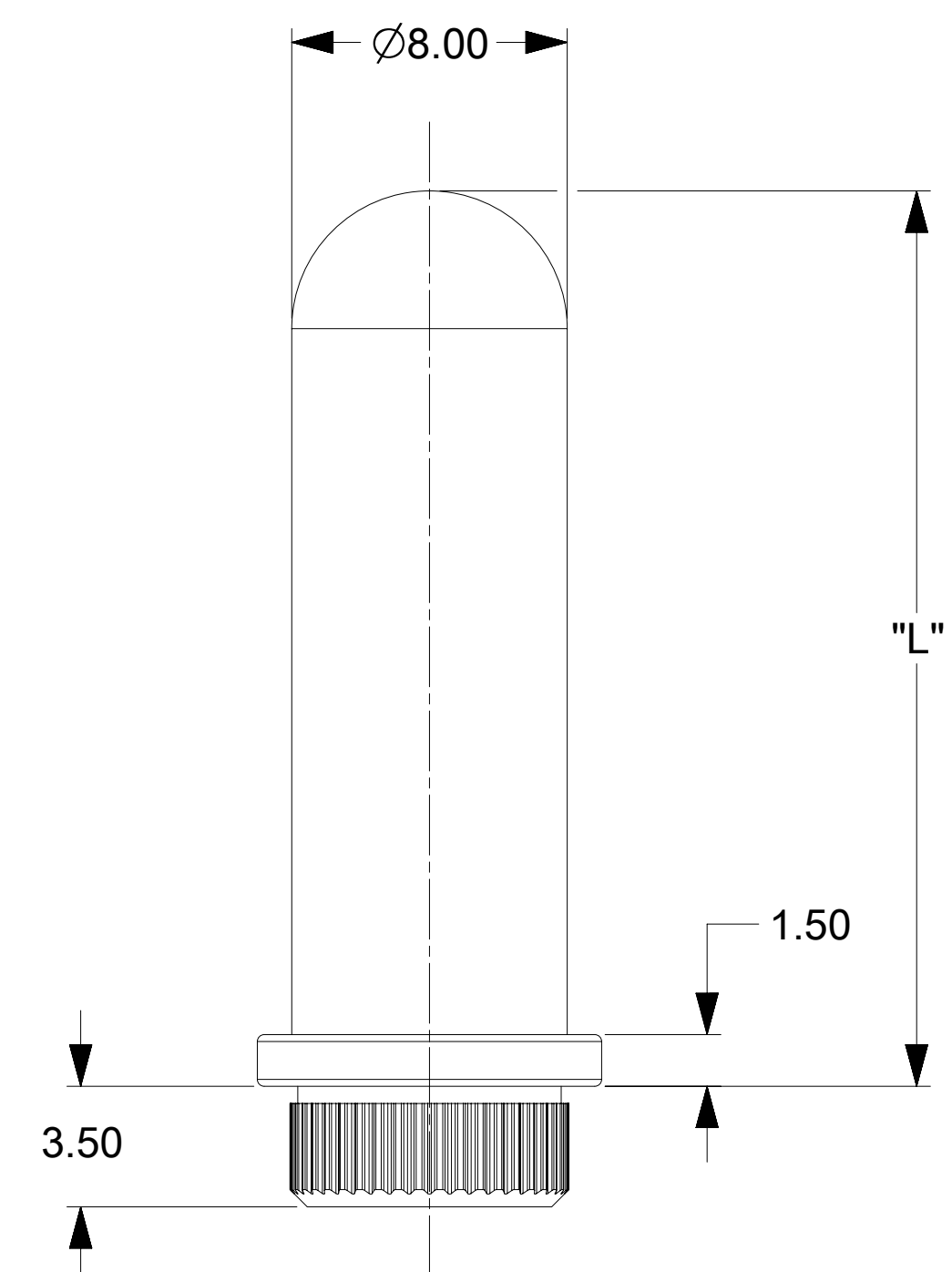
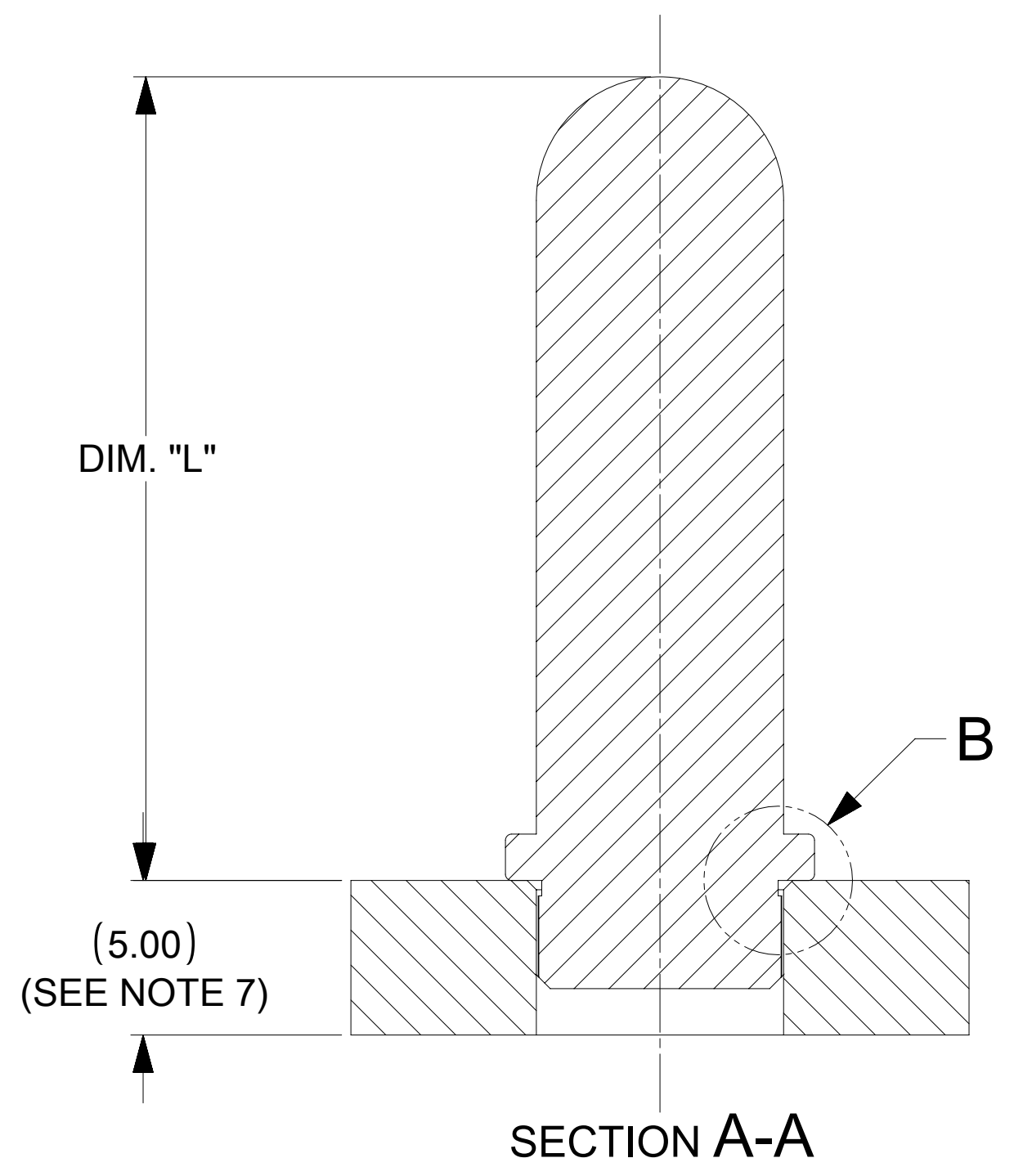
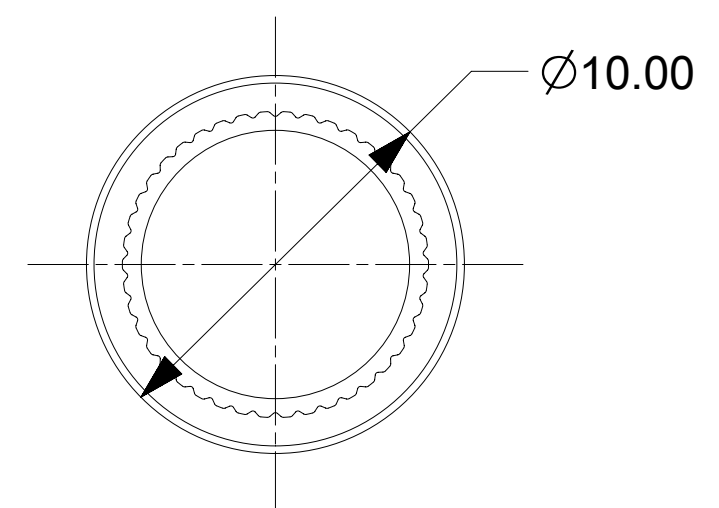


| PART NUMBER | DIMENSION L |
|-------------|-------------|
| 203263-0011 | 16.00       |
| 203263-0001 | 26.00       |
| 203263-0031 | 36.00       |
| 203263-0041 | 46.00       |
| 203263-0051 | 39.00       |
| 203263-0061 | 20.00       |
| 203263-0071 | 48.00       |



ISOMETRIC VIEW OF THE  
CST 8.00MM MALE PIN, PRESS-FIT MOUNT



DETAIL B  
SCALE 20:1

NOTES :

- MATERIALS :
  - BASE METAL: HIGH CONDUCTIVE COPPER ALLOY
  - PLATING ON BODY: 3.18 MICRON MIN SILVER OVER 1.27 MICRON MIN NICKEL
- PRODUCT SPECIFICATION : 2043130001-PS
- APPLICATION SPECIFICATION : 2043130001-AS
- PACKAGING SPECIFICATION : 2032630006-PK
- SILVER COMPONENTS WILL BE SUPPLIED TARNISH FREE BUT MAY TARNISH OVER TIME.
- MINIMUM RECOMMENDED BUSBAR THICKNESS IS 1.50MM

|   |  |        |  |   |  |           |  |                |  |                 |  |
|---|--|--------|--|---|--|-----------|--|----------------|--|-----------------|--|
| THIS DRAWING CONTAINS INFORMATION THAT IS PROPRIETARY TO MOLEX ELECTRONIC TECHNOLOGIES, LLC AND SHOULD NOT BE USED WITHOUT WRITTEN PERMISSION |  |        |  |   |  |           |  |                |  |                 |  |
| DIMENSION UNITS   |  | SCALE  |  | CURRENT REV DESC: UPDATED THE DESCRIPTION |  |           |  |                |  |                 |  |
| mm  |  | NTS    |  |   |  |           |  |                |  |                 |  |
| GENERAL TOLERANCES (UNLESS SPECIFIED)   |  |        |  |   |  |           |  |                |  |                 |  |
| ANGULAR TOL   |  | ± 0.5° |  |   |  |           |  |                |  |                 |  |
| 4 PLACES  |  | ±      |  | EC NO: 726284                             |  |           |  |                |  |                 |  |
| 3 PLACES  |  | ±      |  | DRWN: SOURAJ 2022/10/26                   |  |           |  |                |  |                 |  |
| 2 PLACES  |  | ± 0.15 |  | CHK'D: SUVARS 2022/10/27                  |  |           |  |                |  |                 |  |
| 1 PLACE   |  | ± 0.25 |  | APPR: GSHARMA 2022/10/28                  |  |           |  |                |  |                 |  |
| 0 PLACES  |  | ±      |  | INITIAL REVISION:                         |  |           |  |                |  |                 |  |
| DRAFT WHERE APPLICABLE MUST REMAIN WITHIN DIMENSIONS  |  |        |  | THIRD ANGLE PROJECTION                    |  | DRAWING   |  | SERIES         |  | MATERIAL NUMBER |  |
|   |  |        |  |   |  | D-SIZE    |  | 203263         |  | 203263          |  |
|   |  |        |  |   |  | SEE TABLE |  | GENERAL MARKET |  | SHEET NUMBER    |  |
|   |  |        |  |   |  |           |  |                |  | 1 OF 1          |  |

**molex**

SENTRALITY 8.00MM MALE TERMINAL  
PRESS-FIT

PRODUCT CUSTOMER DRAWING

|                 |          |          |          |
|-----------------|----------|----------|----------|
| DOCUMENT NUMBER | DOC TYPE | DOC PART | REVISION |
| 2032630001-SD   | PSD      | 000      | A4       |