

10 9 8 7 6 5 4 3 2 1

F

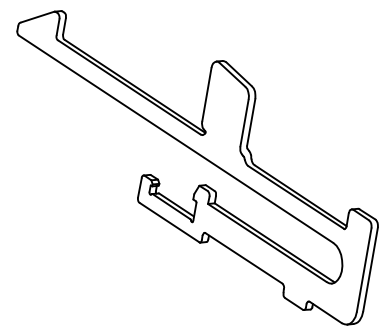
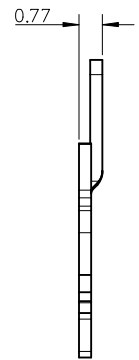
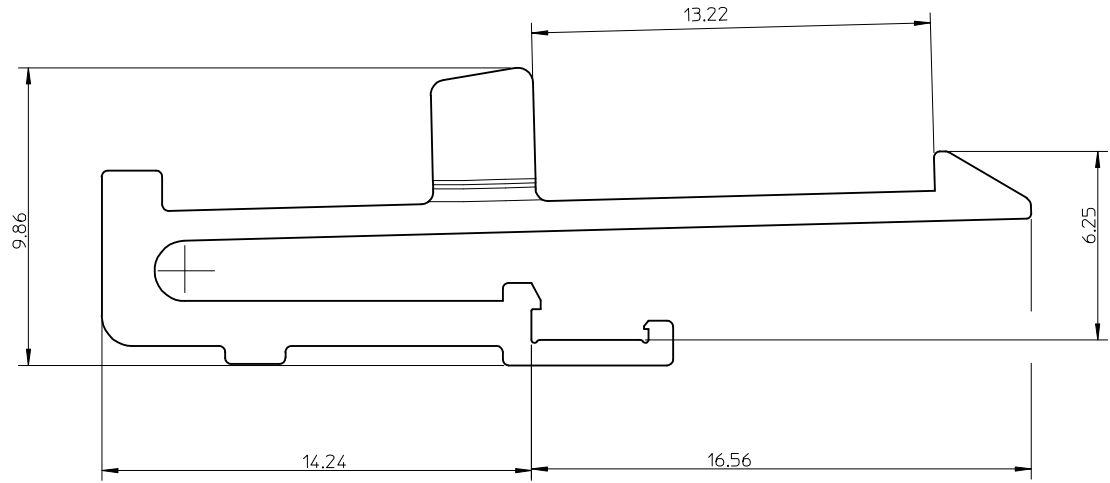
E

D

C

B

A



NOTES:
 1.MATERIAL: STAINLESS STEEL, S301.
 2.ULTRASONIC CLEANING

NEW RELEASE EC NO: SH2009-0333 DRW:HHH CH:KD APPR:HWANG	2008/12/03 2008/12/03 2008/12/18	DESCRIPTION REV	QUALITY SYMBOLS	GENERAL TOLERANCES (UNLESS SPECIFIED)	DIMENSION STYLE	SCALE	DESIGN UNITS	THIRD ANGLE PROJECTION	
			$\nabla = 0$ $\triangle = 0$	mm INCH 4 PLACES ± --- ± --- 3 PLACES ± --- ± --- 2 PLACES ± 0.15 ± --- 1 PLACE ± 0.20 ± --- ANGULAR ± 1 °	MM ONLY	10:1	METRIC		
				DRAFT WHERE APPLICABLE MUST REMAIN WITHIN DIMENSIONS	DRAWN BY: QWFANG DATE: 2006/03/22 CHECKED BY: RZHANG DATE: 2006/03/22 APPROVED BY: IWANG DATE: 2006/03/22	TITLE	LATCH FOR DISPLAYPORT		
					MATERIAL NO. 47271-1016 DOCUMENT NO. SD-47271-006	MOLEX INCORPORATED		SHEET NO.	1 OF 2

9 8 7 6 5 4 3 2 1

10 9 8 7 6 5 4 3 2 1

F

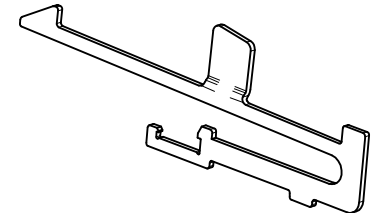
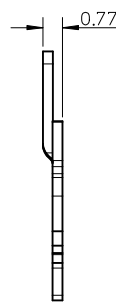
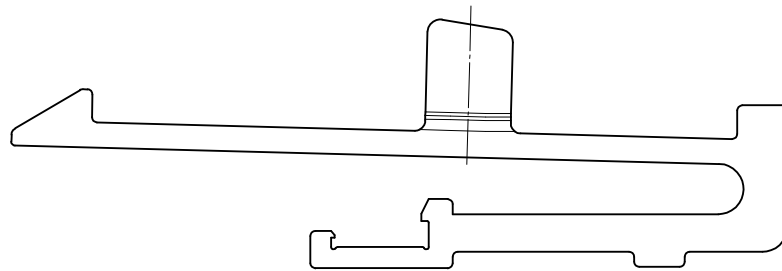
E

D

C

B

A



NOTES:
UNSPECIFIED DIMENSIONS ARE SAME AS SHEET 1.

SEE SHEET 1 EC NO: SH2009-0333 DRWN: HHE CHKD: APPR: HWANG 2008/12/03 2008/12/18	DESCRIPTION REV	QUALITY SYMBOLS ▽=0 ◻=0	GENERAL TOLERANCES (UNLESS SPECIFIED)		DIMENSION STYLE MM ONLY		SCALE 5:1	DESIGN UNITS METRIC	THIRD ANGLE PROJECTION			
			4 PLACES ± --- ± --- 3 PLACES ± --- ± --- 2 PLACES ± 0.15 ± --- 1 PLACE ± 0.20 ± ---	mm INCH ± --- ± --- ± 0.15 ± --- ± 0.20 ± ---	DRAWN BY QWFANG	DATE 2006/03/22	TITLE LATCH FOR DISPLAYPORT					
			ANGULAR ± 1 °	DRAFT WHERE APPLICABLE MUST REMAIN WITHIN DIMENSIONS		CHECKED BY RZHANG	DATE 2006/03/22	MOLEX INCORPORATED				
						APPROVED BY IWANG	DATE 2006/03/22	MATERIAL NO. 47271-2016	DOCUMENT NO. SD-47271-006	SHEET NO. 2 OF 2		

9 8 7 6 5 4 3 2 1