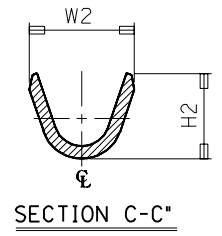
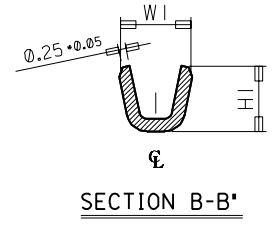
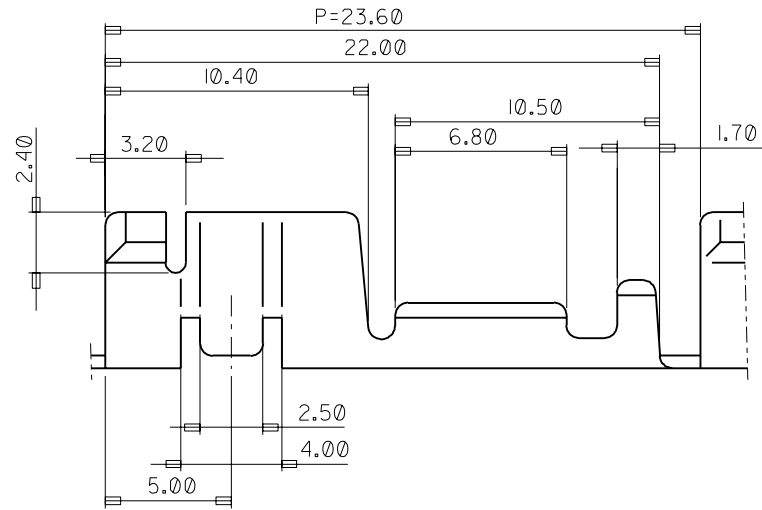
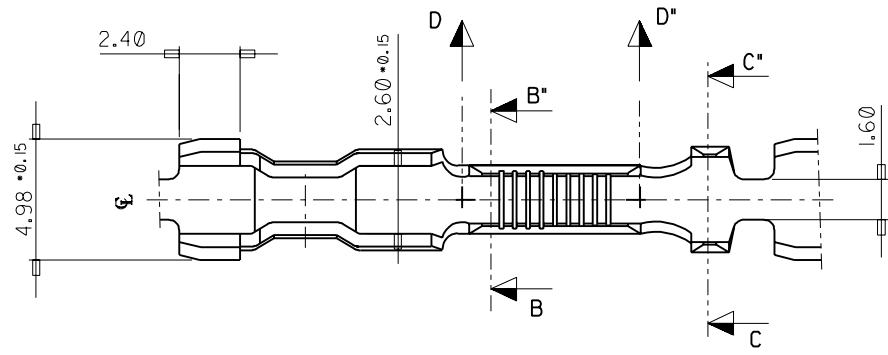
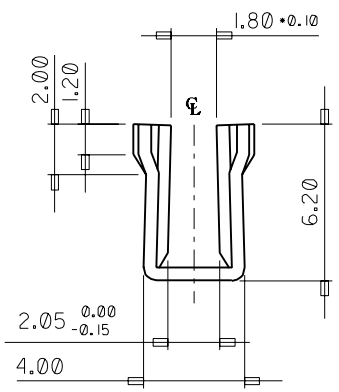
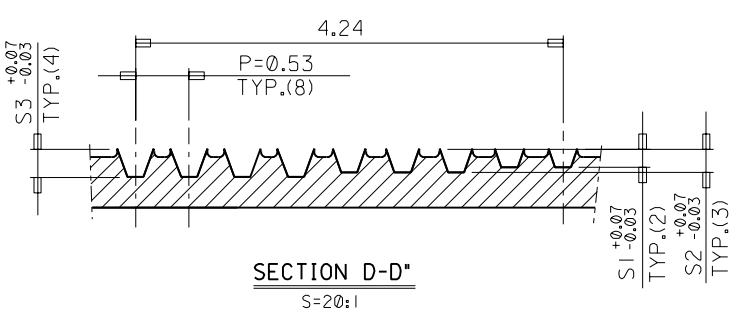


DO NOT SCALE DRAWING
DIMENSION IN METRIC

PROJECT NO. SIMILAR ITEM DWG. NO. SD-35454-002



- NOTES
1. MATERIAL: PHOSPHOR BRONZE
Ø.5mm THICK
 2. FINISH: POST TIN PLATING
 3. MATED PIN DIA.: 2.29mm

ENG.NO.	DIMENSION							WIRE RANGE CMA
	W1	H1	W2	H2	S1	S2	S3	
35454-2702	2.7	2.6	4.2	3.6	Ø.08	Ø.13	Ø.18	1600 400
35454-2902	3.4	4.0	5.1	4.2	Ø.10	Ø.15	Ø.20	4200 1500

NEW RELEASED EC NO. KOR2002-0061 DRAWN: W.Y. YANG 02/01/11 CHK: ABP APPR:	DESCRIPTION	QUALITY SYMBOLS	GENERAL TOLERANCES: (UNLESS SPECIFIED)	SCALE 5:1	DESIGN UNITS <input checked="" type="checkbox"/> mm <input type="checkbox"/> INCH	THIRD ANGLE PROJECTION	DIMENSIONS: <input type="checkbox"/> mm <input type="checkbox"/> INCH <input checked="" type="checkbox"/> mm ONLY	SHT	REV
		MAJOR = Ø	mm	INCH	DRAWN BY & DATE W.Y. YANG 99/03/18	TITLE: COMP TERMINAL-(S),(L) for 2.29 DIA PIN(MAGNET WIRE)			
A1	REV	CRITICAL = C	4 PLACES ±		CHECKED BY & DATE B.K. CHOI 99/03/18	MOLEX INCORPORATED	MATERIAL NO. SEE TABLE	DRAWING NO. SD-35454-002	SHEET NO. 1 OF 1
			3 PLACES ±		APPROVED BY & DATE C.W. LEE 99/03/18				
			2 PLACES ±0.25		CAD FILENAME S35454AB.DGN				
			1 PLACE ±0.25	ANGULAR: ± 3.0°					