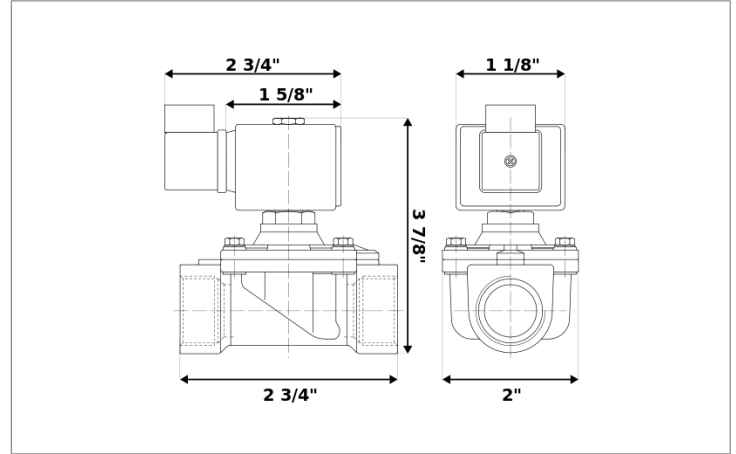


DKSV136




Normally closed, direct lift, 2-way solenoid valve with brass body and 1/2" connections



Valve	
Pipe size:	1/2" NPT
Pressure:	0-35 psi
Flow coefficient:	2.8 Cv
Media temperature:	15-195 °F
Ambient temperature:	15-105 °F
Suggested usage:	Air, inert gas, water
Operation:	2-way, normally closed solenoid valve
Mechanism:	Direct lift
Manual override:	No
Pipe gender:	Female
Orifice size:	5/8"
Vacuum rating:	0.001 Torr

Electrical	
Power:	24 V dc
Coil wattage:	8 W
Wire connection:	Conduit connector
Cable entry:	1/2" NPT
Consumption:	0.33 A
Tolerances:	+10% -5%
Coil inner diameter:	1/2"
Coil molding:	Polyamide (PA)
Coil rating:	15-310 °F (Class F)
Duty cycle:	Continuous, 100% ED
Enclosure:	NEMA 4, IP65

Materials	
Body:	Brass
Seal:	Buna-N/polyamide rubber (NBR+PA)
Orifice:	Brass
Armature tube:	Stainless steel 300
Fixed core:	Stainless steel 400
Plunger:	Stainless steel 400
Spring:	Stainless steel 300
Shading ring:	Copper

Spare parts		
ARMATURE TUBE	REPAIR KIT	COIL/CONNECTOR
AT-H091	RK-H0Y2	C-D21
		
<ul style="list-style-type: none"> • Armature tube 	<ul style="list-style-type: none"> • O-ring • Plunger and diaphragm assembly 	<ul style="list-style-type: none"> • 24 V dc electrical coil • 1/2" conduit connector