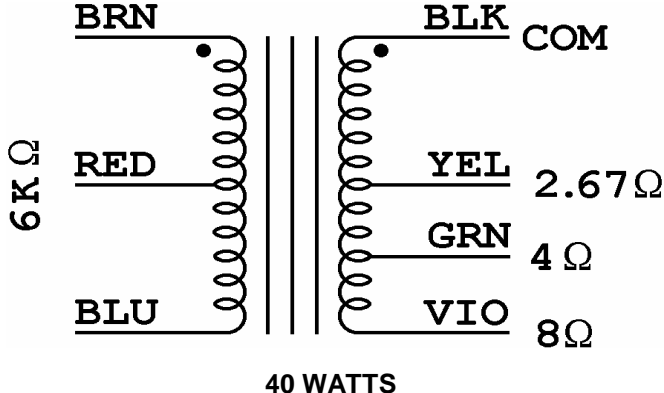
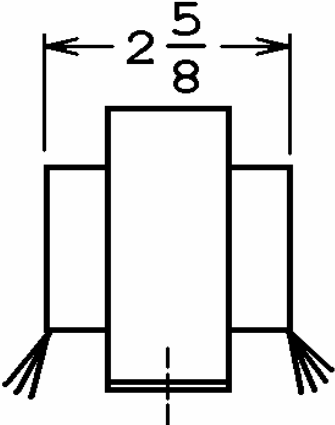
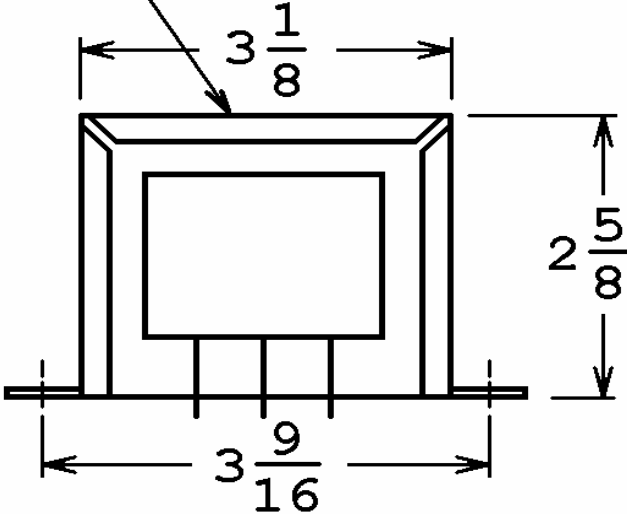


This drawing is the property of Magnetic Components, Inc. and shall not be reproduced, in whole or in part, without the written permission of Magnetic Components, Inc.

| REVISIONS | | | |
|-----------|-------------|------|----------|
| LTR | DESCRIPTION | DATE | APPROVED |

Classic Tone™
 By Magnetic Components, Inc.
 40-18088
 166-DATE
 MADE IN U.S.A.



| | | | | | | | |
|--|-------------------------|--|-------------|-----------------------------|----------|----------------------------|----------|
| UNLESS OTHERWISE SPECIFIED ALL DIMENSIONS IN INCHES DO NOT SCALE DRAWING FRACTIONS +/- .X = +/- .XX = +/- .XXX = +/- ANGLES = +/- | SIGNATURES | | DATE | MAGNETIC COMPONENTS, INC. | | DIV : LOC : SCHILLER PK | |
| | DRAWN : <i>MJF</i> | | 16 MAR 2012 | TITLE OUTPUT TRANSFORMER | | | |
| | CHECK : | | | | | | |
| | APPR : <i>M. Lakota</i> | | 16 MAR 2012 | CAGE | 50508 | SIZE | PART No. |
| | | | SCALE | NONE | A | 40-18088 | - |
| | | | | | | SHEET : | |