



## Specification for Arduino Shield

### SHIELD-ANO

Revision 0



SHIELD	DISPLAY SHIELD
ANO	ORIENT DISPLAY
/	For <a href="#">Arduino OLED displays</a> and <a href="#">Arduino TFT displays</a>



DOCUMENT REVISION HISTORY:

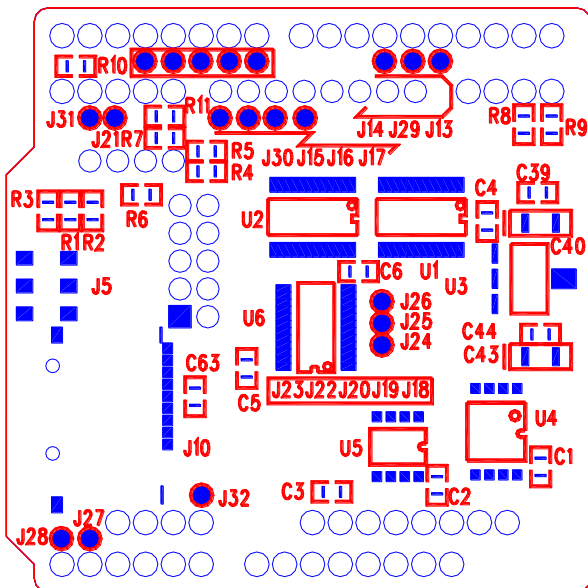
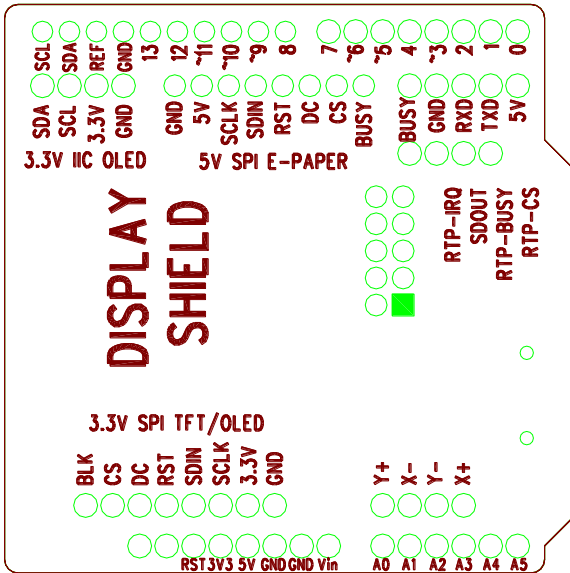
DATE	PAGE	DESCRIPTION
2021.3.24	-	First release

# **Contents**

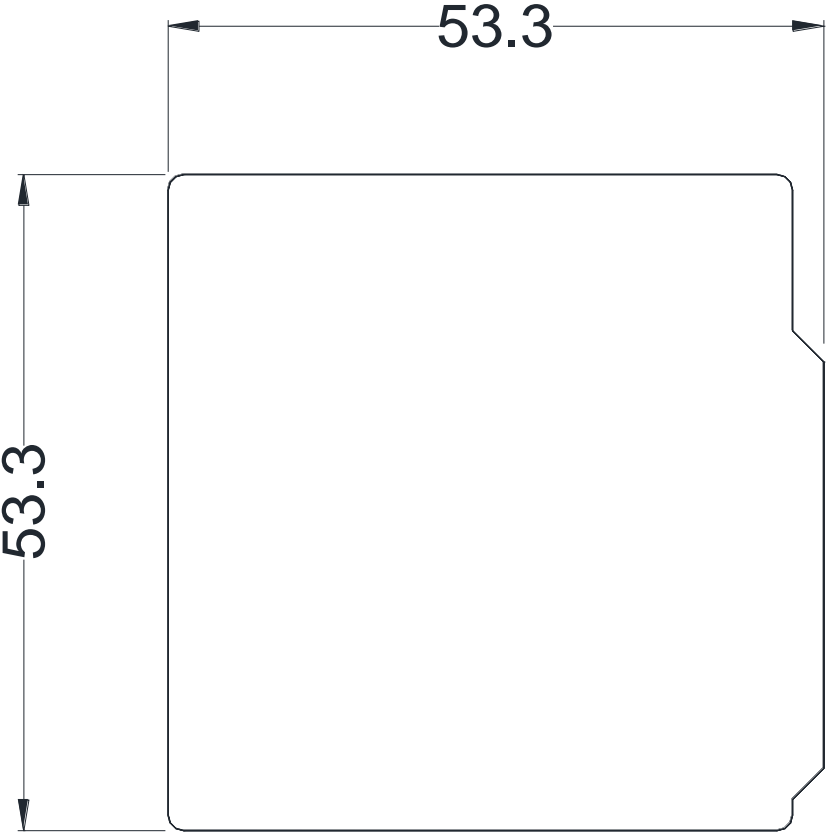
1. General Specification
2. Mechanical Drawing
3. Block Diagram
4. Interface Pin Function

# 1. General Specification

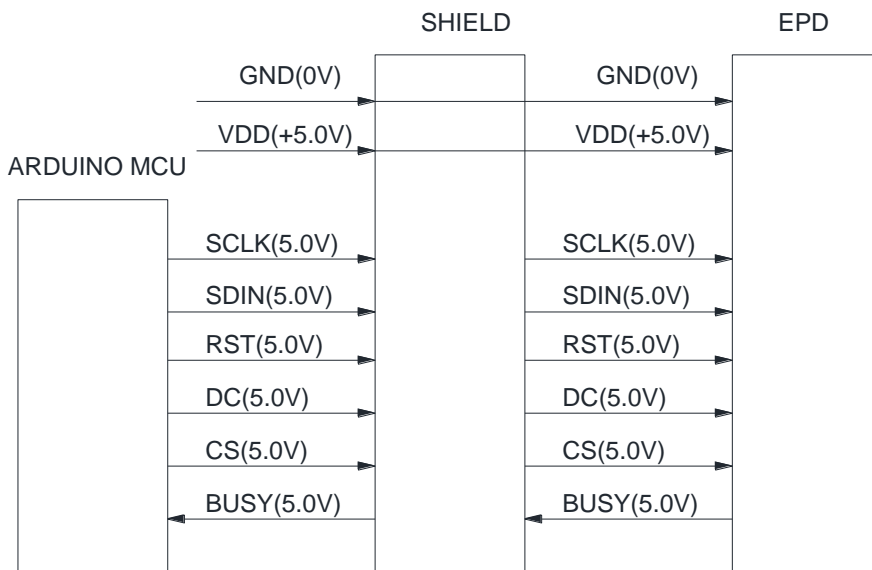
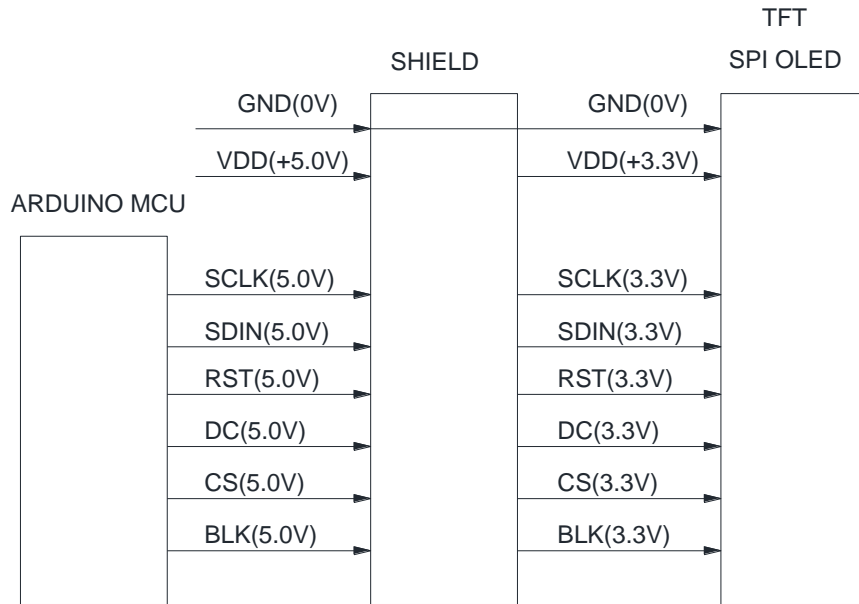
Item	Dimension	Unit
Module dimension	53.3 x 53.3 x 24.0(MAX)	mm

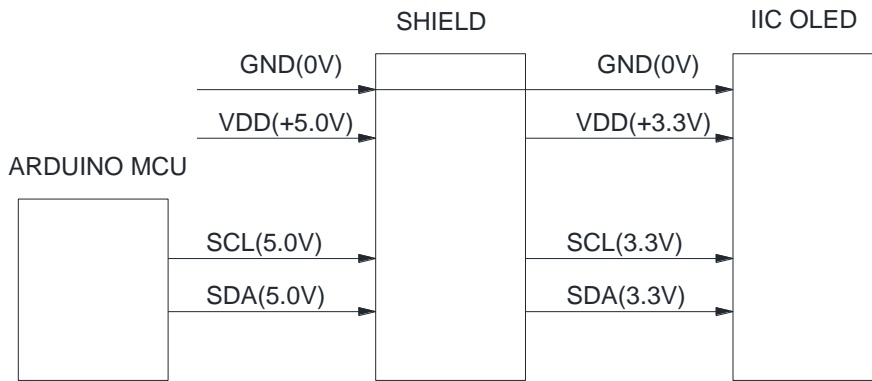


## 2. Mechanical Drawing



### 3. Block Diagram

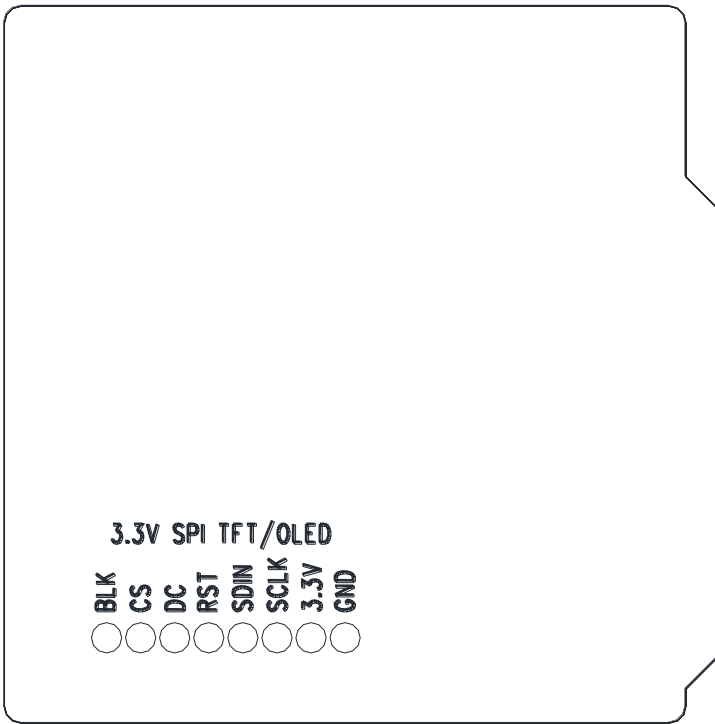




## 4. Interface Pin Function

### 4.1 3.3V SPI TFT/OLED PORT

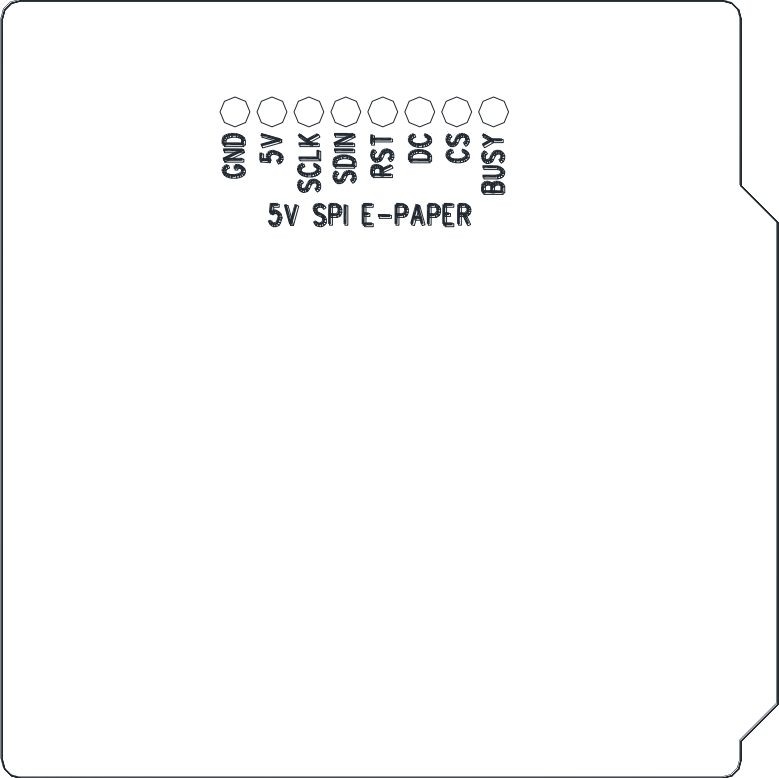
Pin No.	Symbol	Level	Description
1	GND	0V	Ground
2	V <sub>DD</sub>	3.3V	Supply Voltage for logic
3	SCLK	H/L	Serial Clock
4	SDIN	H/L	Serial Data Input
5	RST	H/L	Reset, signal is active low
6	DC	H/L	H:Display data or Parameter, L:Command Data
7	CS	H/L	Chip Select, signal is active low
8	BLK	H/L	Backlight control, H:turn on ,L: turn off For OLED , this pin left open



## 4.2 5V SPI E-PAPER PORT

Pin No.	Symbol	Level	Description
1	GND	0V	Ground
2	V <sub>DD</sub>	5.0V	Supply Voltage for logic
3	SCLK	H/L	Serial Clock
4	SDIN	H/L	Serial Data Input
5	RST	H/L	Reset, signal is active low
6	DC	H/L	H:Display data or Parameter, L:Command Data
7	CS	H/L	Chip Select, signal is active low
8	Busy	H/L	Check EPD busy status





### 4.3 3.3V IIC OLED PORT

Pin No.	Symbol	Level	Description
1	GND	0V	Ground
2	V <sub>DD</sub>	3.3V	Supply Voltage for logic
3	SCL	H/L	Serial Clock
4	SDA	H/L	Serial Data

