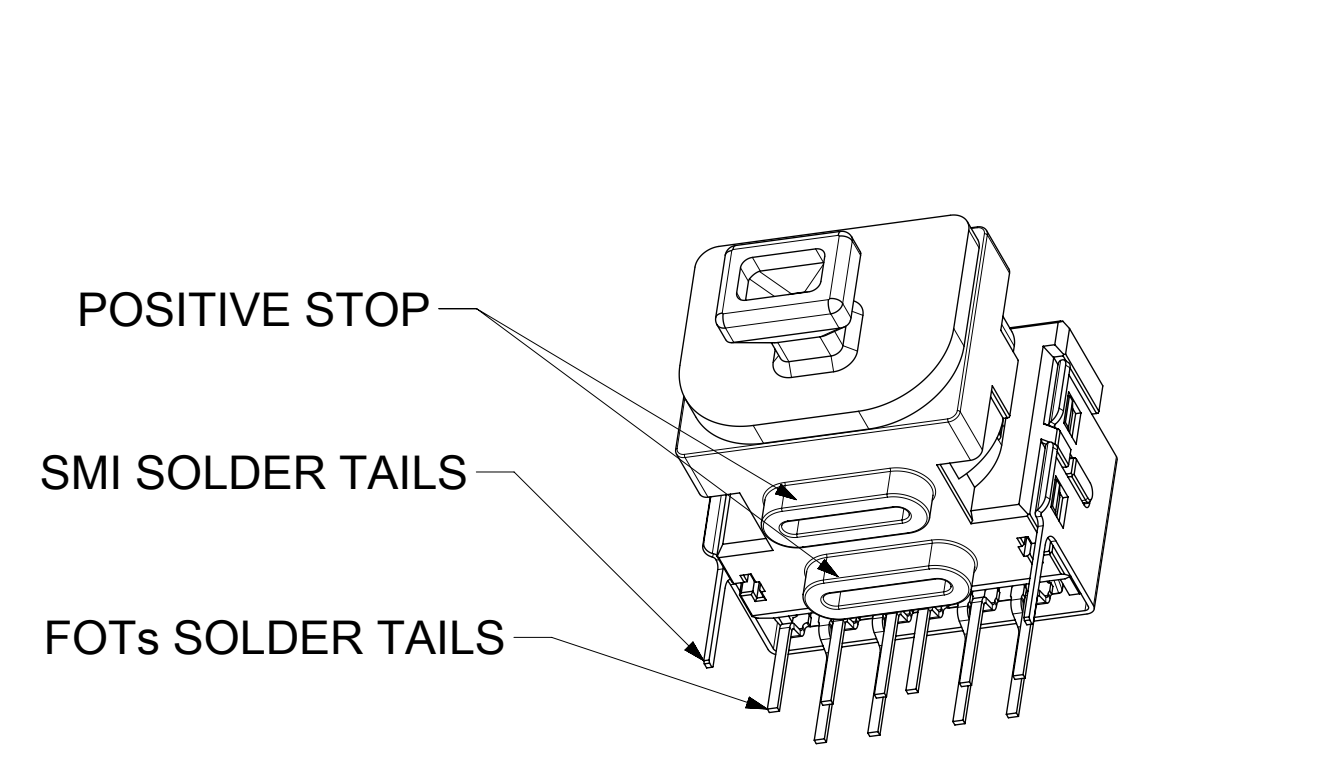
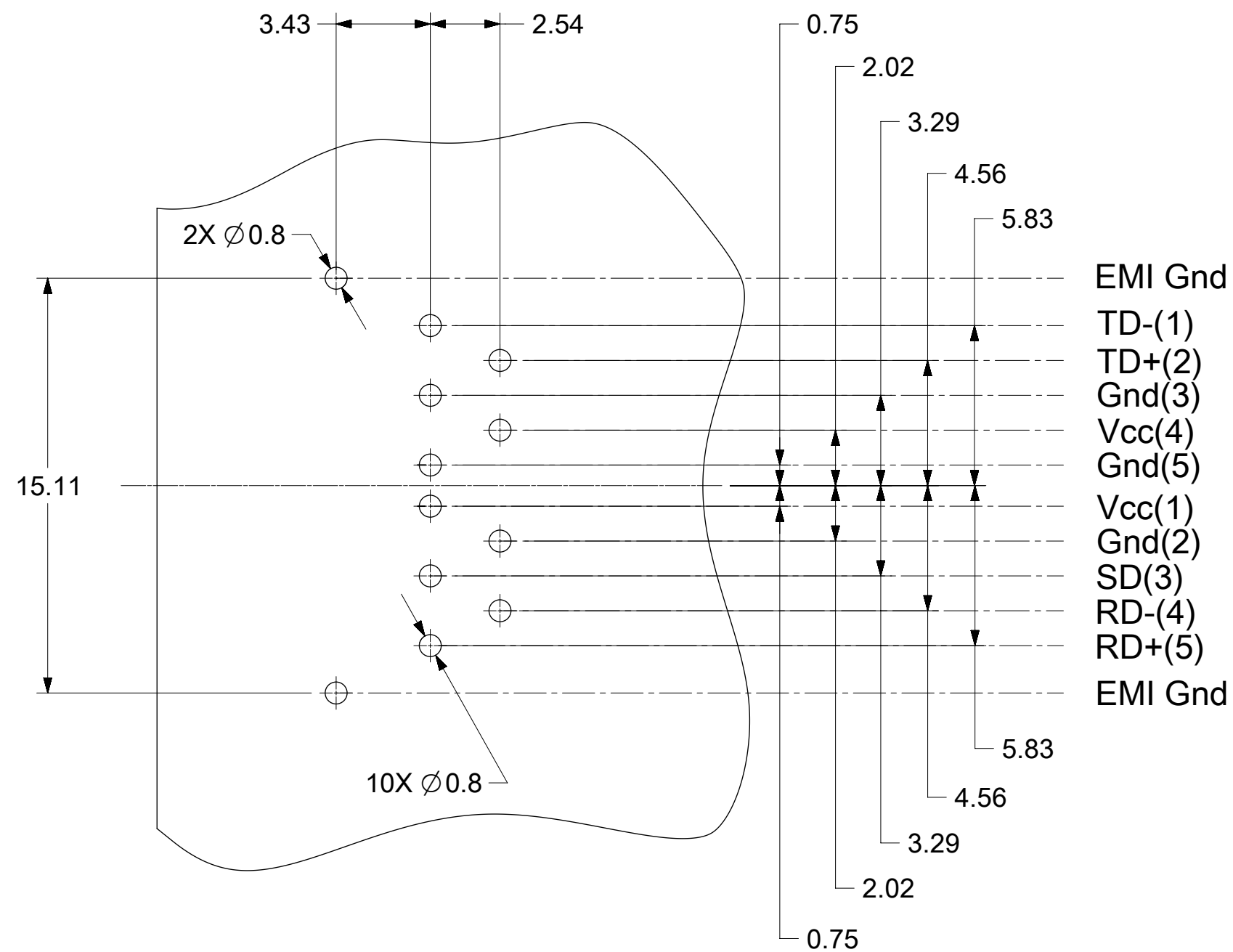
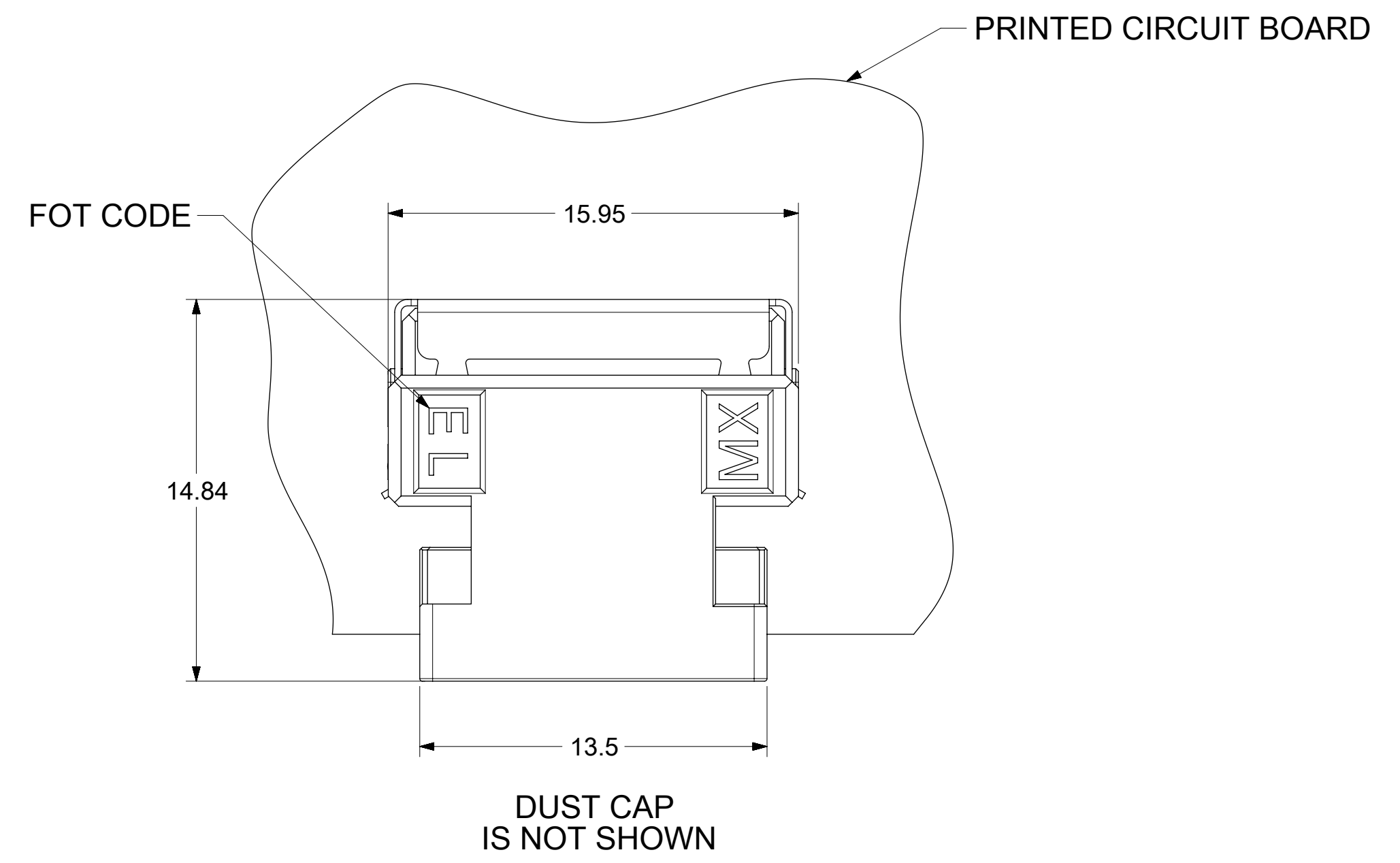
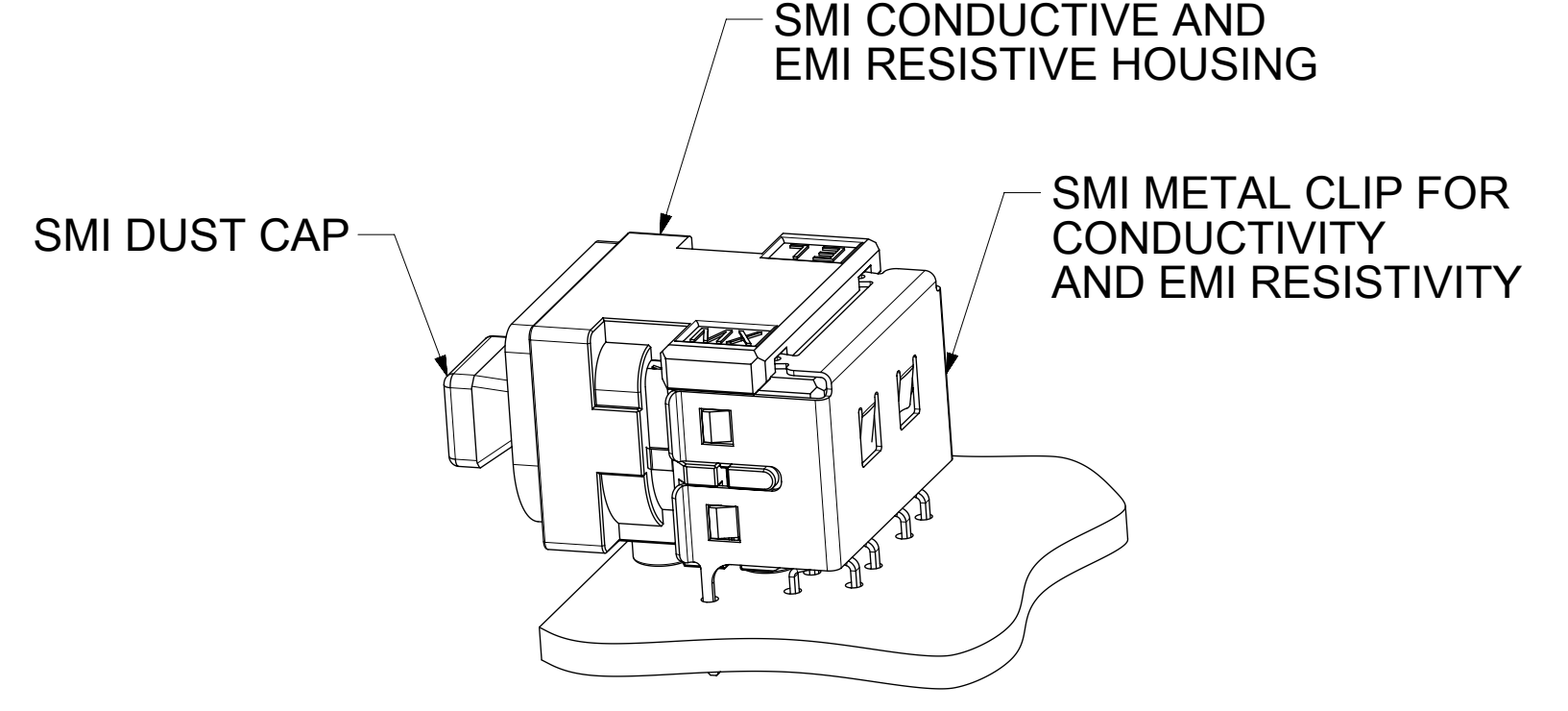
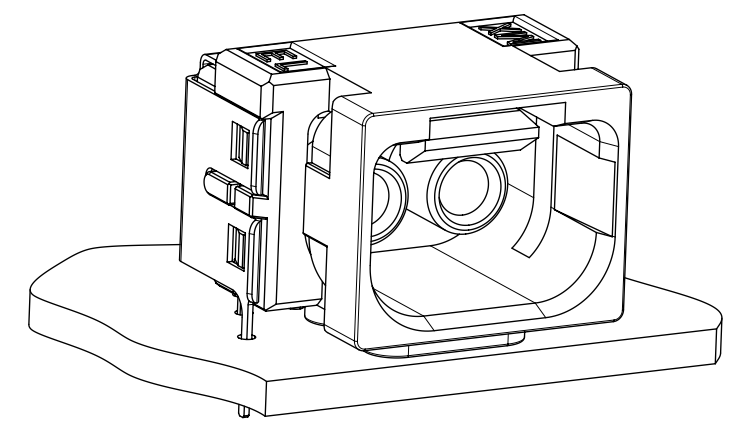


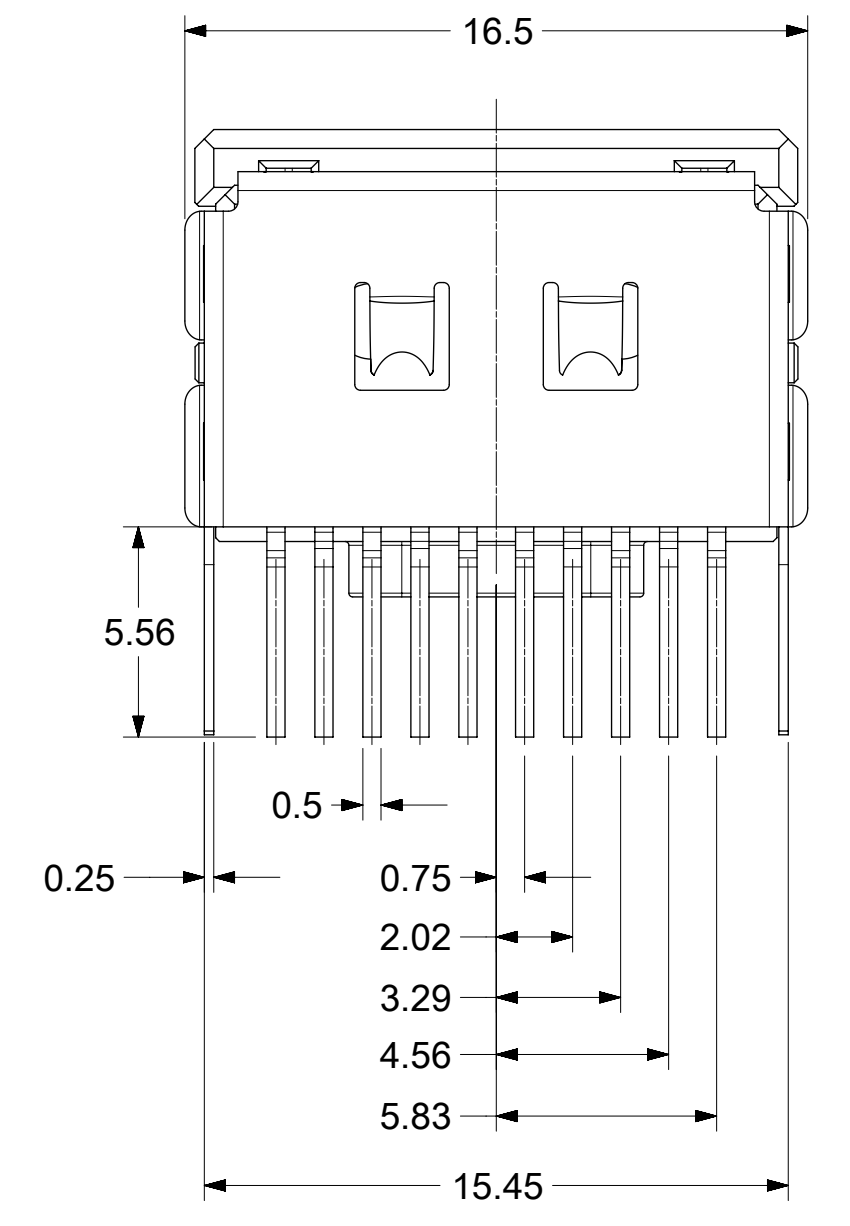
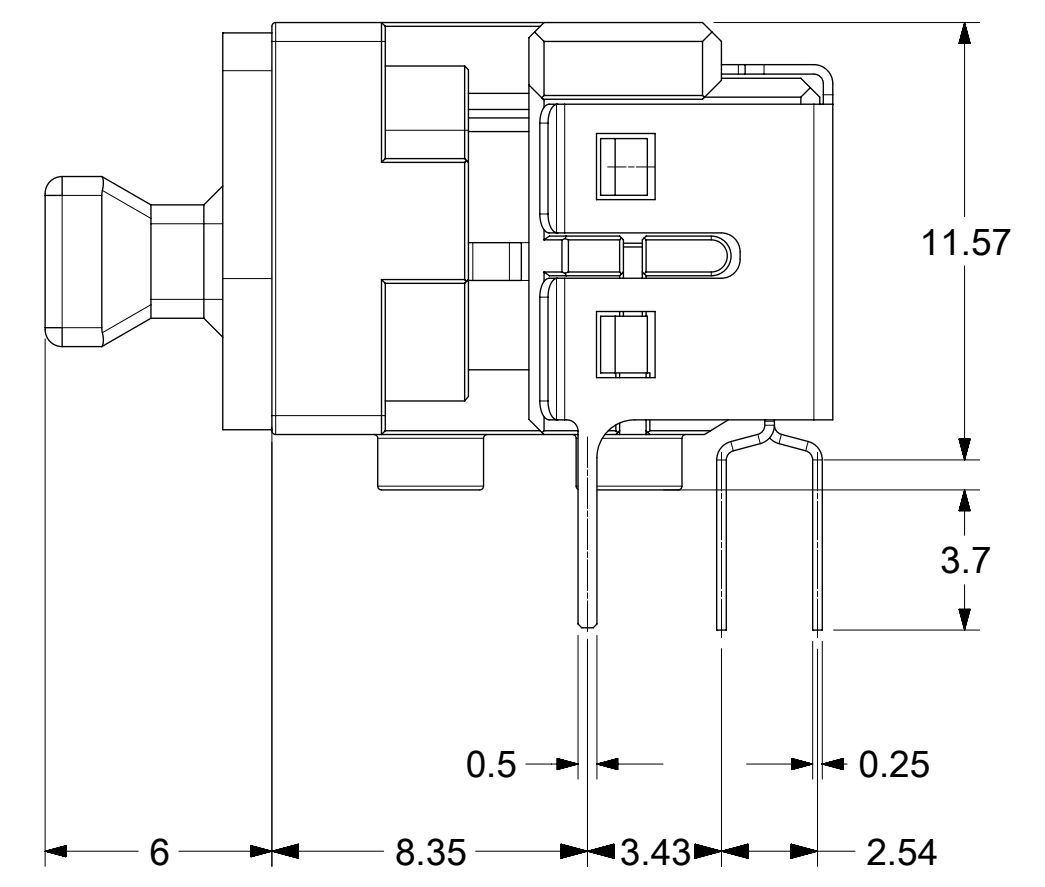
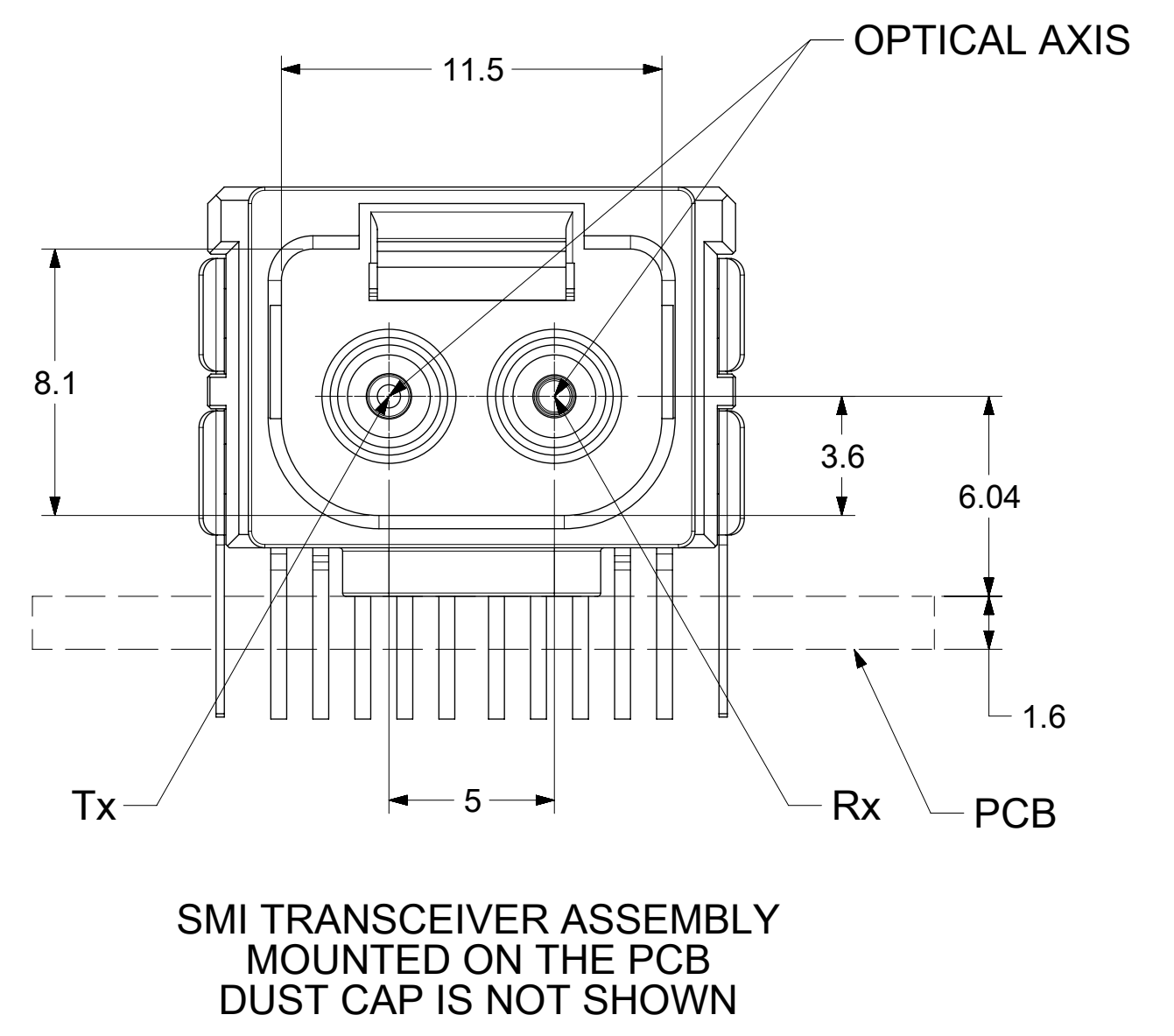
SMI TRANSCEIVER ASSEMBLY P/N	FOT's TYPE	FOT CODE
1061083100	ETHERNET 10/100	EL
1061084100	INDUSTRIAL DATA LINK	ID



ISOMETRIC VIEWS
SCALE 3:1



RECOMMENDED PCB LAYOUT
DIMENSIONS TOLERANCE: ±0.1mm



- NOTES:
1. ALL DIMENSIONS ARE FOR REFERENCE ONLY EXCEPT FOR RECOMMENDED PCB LAYOUT.
 2. SMI TH TRANSCEIVERS MAY BE SOLDERED TO MAX 260°, MAX 10s, ONE TIME ONLY, AT LEAST 2.20mm AWAY FROM LEAD ROOT. RE-FLOW OVEN SOLDERING IS NOT APPROVED AT THIS TIME. FOR MORE DETAILS SEE DATASHEET.

QUALITY SYMBOLS	THIS DRAWING CONTAINS INFORMATION THAT IS PROPRIETARY TO MOLEX ELECTRONIC TECHNOLOGIES, LLC AND SHOULD NOT BE USED WITHOUT WRITTEN PERMISSION		DIMENSION UNITS		SCALE	molex®				
▽ = 0	2016/07/12	2016/08/23	GENERAL TOLERANCES (UNLESS SPECIFIED)	MM	5:1	SMI TRANSCEIVER ASSEMBLY TH SOLDERING				
▽ = 0	DRWN BY: SBOJANIC	CHK'D: IGUMIN	ANGULAR TOL ± °	DRWN BY: SBOJANIC	DATE: 2016/07/12					
▽ = 0	EC NO: 107440 DRWN: SBOJANIC CHK'D: IGUMIN REV APPR: IGUMIN	2016/08/23	4 PLACES ±	3 PLACES ±	2 PLACES ±	1 PLACE ±	0 PLACES ±	PRODUCT CUSTOMER DRAWING		
▽ = 0			DRAFT WHERE APPLICABLE MUST REMAIN WITHIN DIMENSIONS	DRAWING SIZE: D	THIRD ANGLE PROJECTION	SERIES: 106108	MATERIAL NUMBER: SEE TABLE			
▽ = 0			APPR BY: IGUMIN	DATE: 2016/08/23	DOCUMENT NUMBER: 1061083100			DOC TYPE: PSD	DOC PART: 000	SHEET NUMBER: 1 OF 1
▽ = 0										