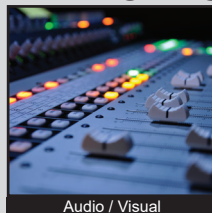


TL1240 SERIES TACT SWITCH

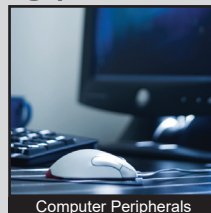
ANTI-VANDAL SWITCHES
 DETECTOR SWITCHES
 DIP SWITCHES
 KEYLOCK SWITCHES
 NAVIGATION SWITCHES
 PUSHBUTTON SWITCHES
 ROCKER SWITCHES
 ROTARY SWITCHES
 SLIDE SWITCHES
 SNAP ACTION SWITCHES
TACTILE SWITCHES
 TOGGLE SWITCHES
 CAP OPTIONS



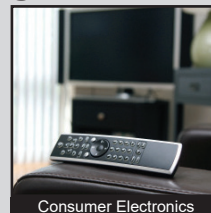
APPLICATIONS / MARKETS



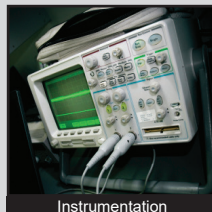
Audio / Visual



Computer Peripherals



Consumer Electronics



Instrumentation



Telecommunication



Medical Equipment

RoHS

SPECIFICATIONS

Contact Rating: 50mA, 12VDC
Life Expectancy: 100,000 Cycles
Contact Resistance: 100mΩ Max. (Initial) at 2-4VDC
Insulation Resistance: 100MΩ Min.
Dielectric Strength: 250VAC for 1 minute
Actuation Force: 160 ± 50gf
Operating Temperature: -20°C to 70°C
Travel: 0.25mm
Function: SPST

FEATURES & BENEFITS

- Multiple LED color options
- Multiple cap options
- Independent LED Leads
- LED color matching upon request
- Reliable dome technology
- Tape and Reel packaging

PART NUMBER CONFIGURATOR

Series	Model	LED Color	Contact Material	Cap	Cap Color
<input type="text" value="TL"/>	<input type="text" value="1240"/>	<input type="text" value="Y"/> Y - Yellow R - Red G - Green B - Blue N - No LED	<input type="text" value="Q"/> Q - Silver	<input type="text" value="1J"/> None 1J 2J	<input type="text" value="BLK"/> None BLK - Black WHT - White CLR - Clear R - Red

Specifications subject to change without notice 7.18.2022



E-SWITCH®

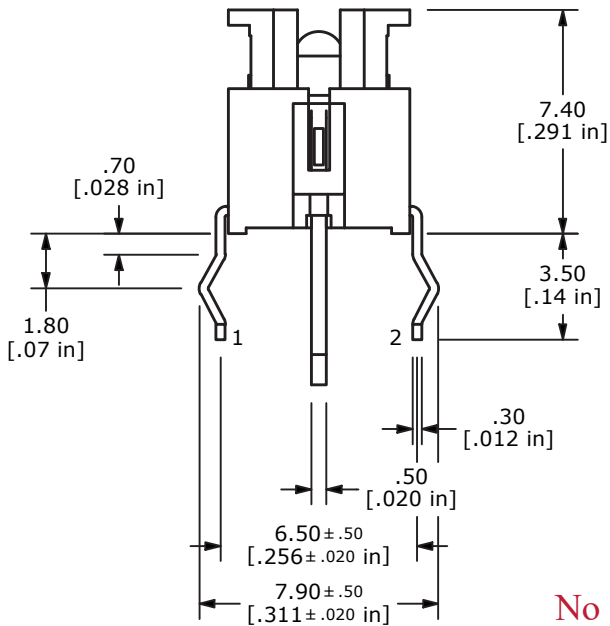
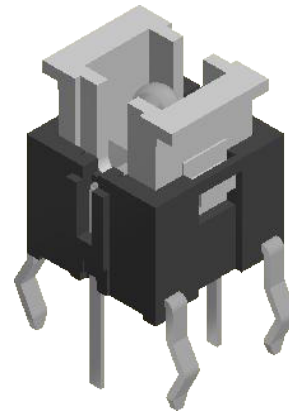
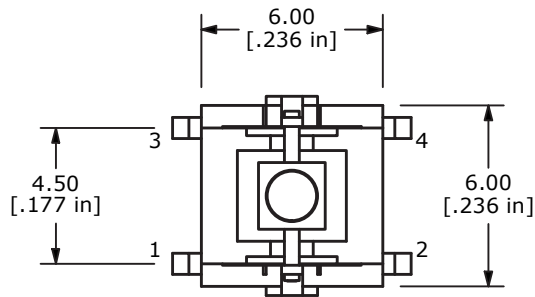
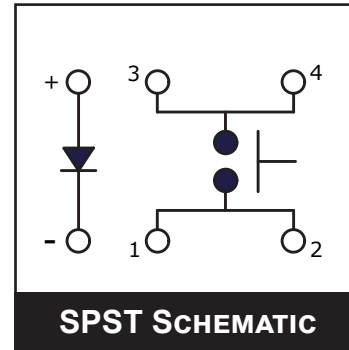
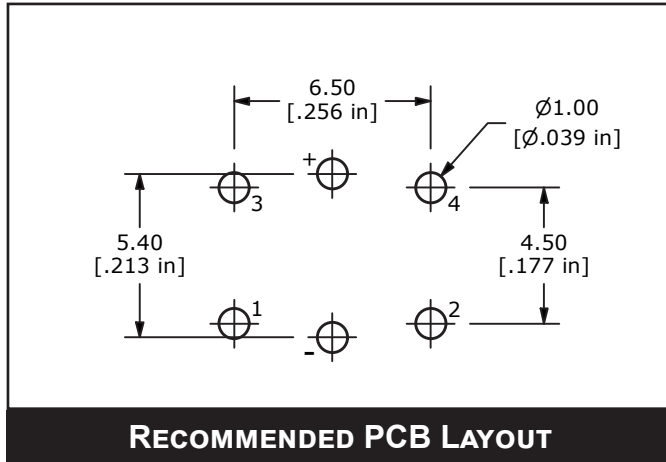
www.e-switch.com

800.867.2717

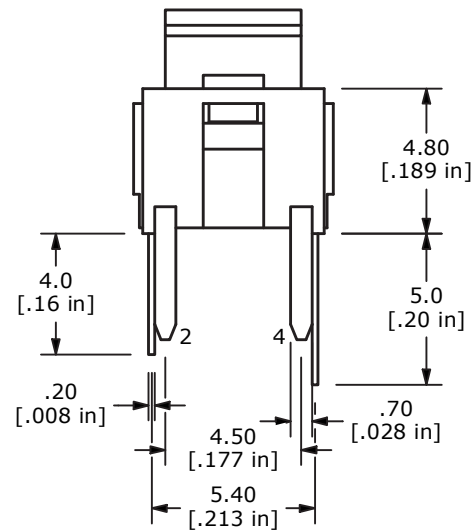
1

TL1240 SERIES TACT SWITCH

BODY DIMENSIONS / CAP OPTIONS

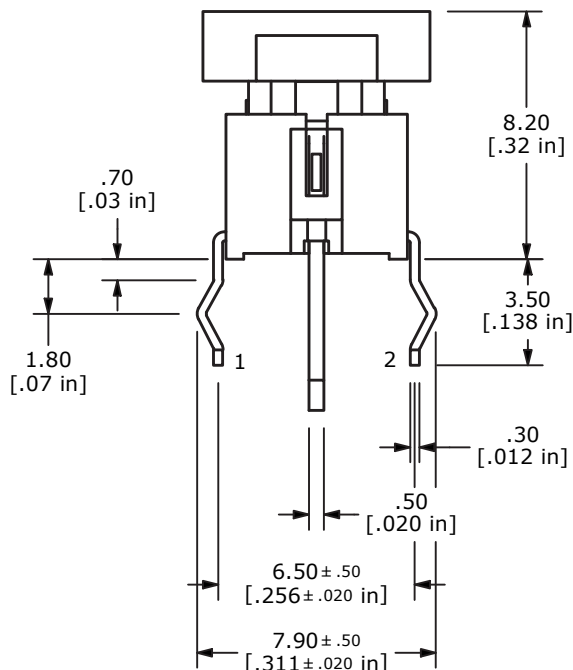
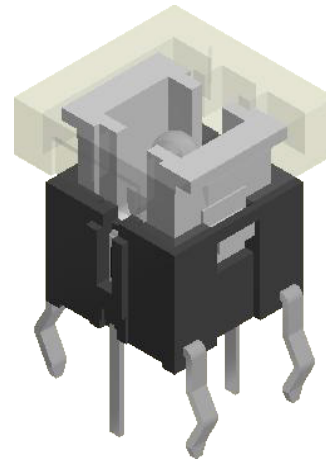
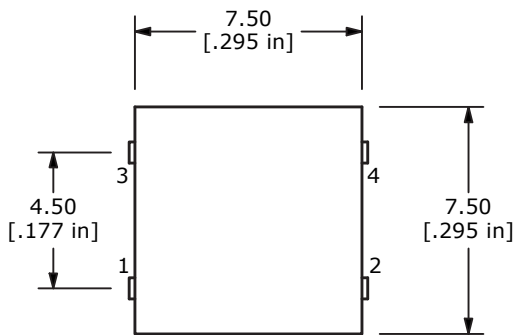
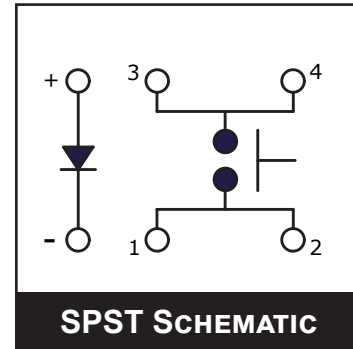
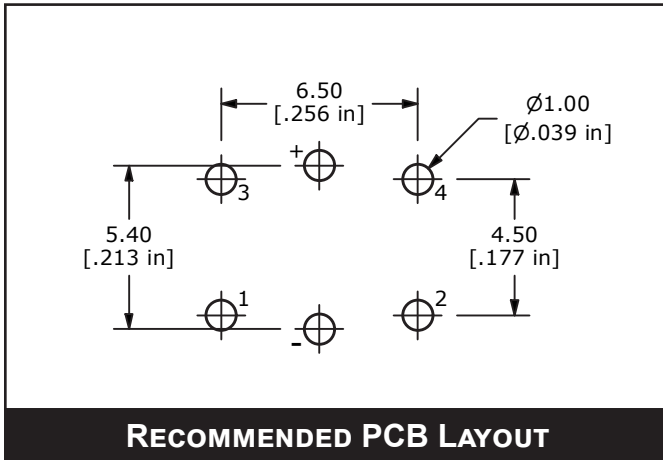


No Cap Option

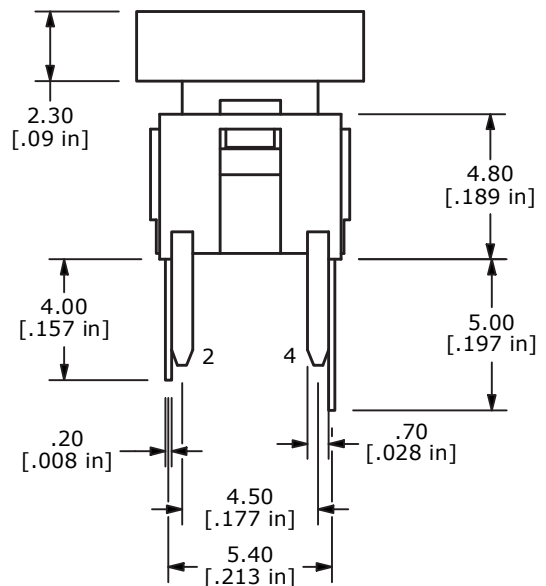


TL1240 SERIES TACT SWITCH

BODY DIMENSIONS / CAP OPTIONS



1J Cap Option



TL1240 SERIES TACT SWITCH

LED CHARACTERISTICS

PARAMETERS	SYMBOL	YELLOW LED		RED LED		GREEN LED		BLUE LED		UNITS
		MAX.	TYP.	MAX.	TYP.	MAX.	TYP.	MAX.	TYP.	
POWER DISSIPATION	P_D	100	--	100	--	100	--	102	--	mW
REVERSE VOLTAGE	V_R	4	10	4	--	4	--	5	--	V
PEAK FORWARD CURRENT	I_{PF}	20	--	30	--	25	--	30	--	mA
REVERSE CURRENT	I_R	10	--	10	--	10	--	10	--	mA
FORWARD VOLTAGE	V_F	2.8	1.8	2.3	--	2.8	--	4.2	--	V
LUMINOUS INTENSITY	I_V	--	9	--	25	--	3	--	250	mcd
EMISSION WAVELENGTH	λ_P	--	585	--	660	--	557	--	468	nm
OPERATING TEMPERATURE	T_{OP}	-25°C TO 85°C		-25°C TO 85°C		-20°C TO 85°C		-20°C TO 80°C		C
STORAGE TEMPERATURE	T_{ST}	-25°C TO 80°C		-25°C TO 85°C		-20°C TO 85°C		-30°C TO 85°C		C
LEAD SOLDERING TEMPERATURE, 12.0mm (0.063 INCH) FROM BODY) 260°C FOR 5 SECONDS										
ELECTRICAL CHARACTERISTICS (=25°C)										



TL1240 SERIES TACT SWITCH

RECOMMENDED SOLDER PROCESS

Most contamination problems can be prevented by exercising care during the cleaning and soldering process. Care should be taken not to immerse or spray unsealed switches during flux removal. Contact E-Switch for specific soldering recommendations and specifications not shown. Generalized soldering procedures are outlined below.

“TYPICAL” SMT REFLOW (Pb and Pb-Free)

Profile Feature	Sn-Pb Eutectic Assembly	Pb-Free Assembly
Average Ramp-Up Rate ($T_{s_{max}}$ to T_p)	3 °C/second max.	3 °C/second max.
Preheat		
-Temperature Min ($T_{s_{min}}$)	100 °C	150 °C
-Temperature Max ($T_{s_{max}}$)	150 °C	200 °C
-Time ($t_{s_{min}}$ to $t_{s_{max}}$)	60-120 seconds	60-180 seconds
Time Maintained above:		
-Temperature (T_L)	183 °C	217 °C
-Time (t_L)	60-150 seconds	60-150 seconds
Time within 5 °C of actual Peak Temperature (t_p)	10-30 seconds	20-40 seconds
Ramp-Down Rate	6 °C/second max.	6 °C/second max.
Time 25 °C to Peak Temperature	6 minutes max.	8 minutes max.

Note 1: All temperatures refer to topside of the package, measured on the package surface.

