

10 9 8 7 6 5 4 3 2 1

F

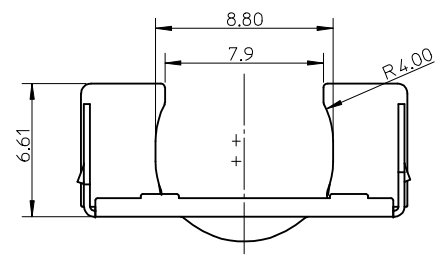
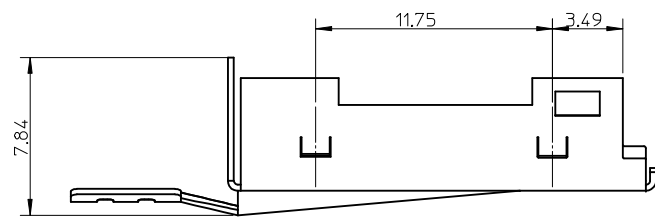
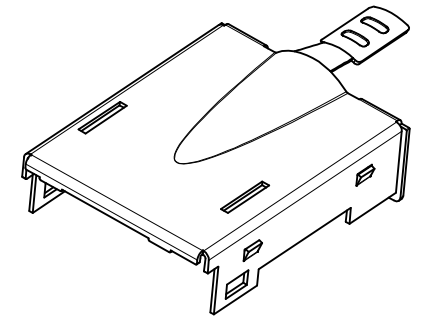
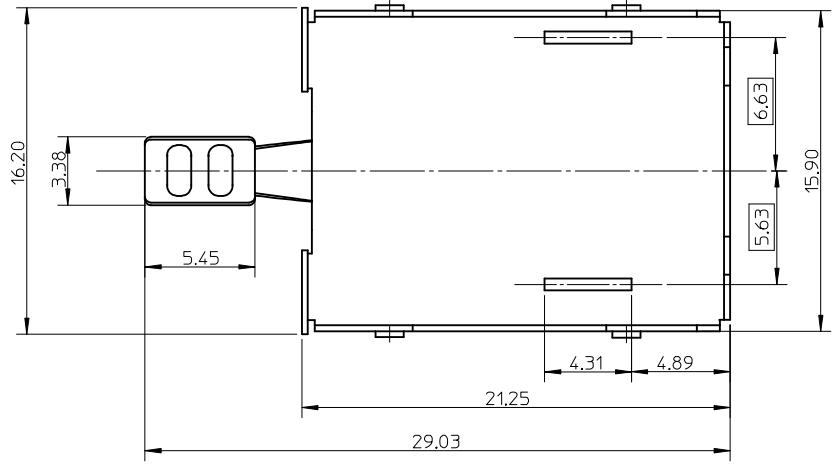
E

D

C

B

A



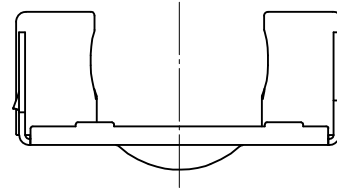
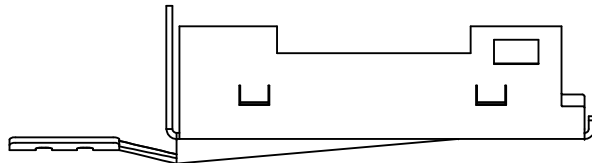
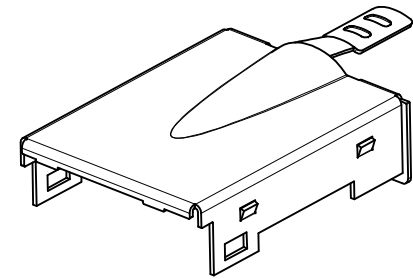
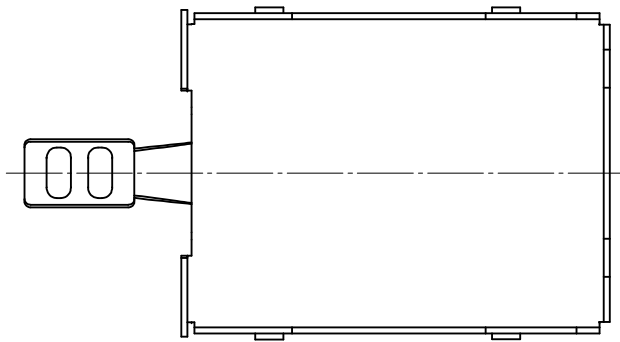
NOTES:

1. THIS PART IS WITH LATCHES TYPE
2. MATERIAL : 0.30MM THICKNESS COPPER ALLOY.
3. PLATING : NICKEL 2.0 MICROMETER MIN OVERALL.

NEW RELEASE EC NO: SH2007-0705 DRWN: HHE CHKD: APPR: JNCHEN 2007/04/27 2007/04/30 2007/05/10	DESCRIPTION REV	QUALITY SYMBOLS	GENERAL TOLERANCES (UNLESS SPECIFIED)	DIMENSION STYLE	SCALE	DESIGN UNITS	THIRD ANGLE PROJECTION	
		$\nabla=0$ $\square=0$	mm INCH 4 PLACES ± --- ± --- 3 PLACES ± --- ± --- 2 PLACES ± 0.15 ± --- 1 PLACE ± 0.15 ± --- ANGULAR ± 2 °	MM ONLY	4:1	METRIC		
			DRAFT WHERE APPLICABLE MUST REMAIN WITHIN DIMENSIONS	DRAWN BY: QWFANG DATE: 2006/09/05 CHECKED BY: IWANG DATE: 2006/09/05 APPROVED BY: JNCHEN DATE: 2006/09/05	TITLE	INNER-SHELL-UPPER FOR DISPLAYPORT		
		A		MATERIAL NO. 47271-1008 SIZE A3	DOCUMENT NO. SD-47271-008 SHEET NO. 1 OF 2	MOLEX INCORPORATED THIS DRAWING CONTAINS INFORMATION THAT IS PROPRIETARY TO MOLEX INCORPORATED AND SHOULD NOT BE USED WITHOUT WRITTEN PERMISSION		

9 8 7 6 5 4 3 2 1

10 9 8 7 6 5 4 3 2 1



NOTES:

THIS PART IS WITHOUT LATCHES TYPE.
UNSPECIFIED DIMENSIONS ARE SAME AS SHEET 1.

SEE SHEET1 EC NO: SH2007-0705 DRWN: HHE CHKD: APPR: JNCHEN 2007/04/27 2007/05/10	DESCRIPTION REV	QUALITY SYMBOLS ▽=0 ◻=0	GENERAL TOLERANCES (UNLESS SPECIFIED)		DIMENSION STYLE MM ONLY		SCALE 4:1	DESIGN UNITS METRIC	THIRD ANGLE PROJECTION			
				mm	INCH	DRAWN BY QWFANG	DATE 2006/09/05	TITLE INNER-SHELL-UPPER FOR DISPLAYPORT				
			4 PLACES	± ---	± ---	CHECKED BY IWANG	DATE 2006/09/05					
			3 PLACES	± ---	± ---	APPROVED BY JNCHEN		DATE 2006/09/05	MOLEX INCORPORATED			
2 PLACES	± 0.15	± ---	MATERIAL NO. 47271-3008		DOCUMENT NO. SD-47271-008							
1 PLACE	± 0.15	± ---	DRAFT WHERE APPLICABLE MUST REMAIN WITHIN DIMENSIONS		SIZE A3	THIS DRAWING CONTAINS INFORMATION THAT IS PROPRIETARY TO MOLEX INCORPORATED AND SHOULD NOT BE USED WITHOUT WRITTEN PERMISSION						
		ANGULAR ± 2 °								SHEET NO. 2 OF 2		

9 8 7 6 5 4 3 2 1