

SAW Filter 1575.42MHz for GPS
Part No: MA05255

Model: TA0285A
Rev No: 4

A. MAXIMUM RATING:

1. Input Power Level: 10dBm
2. DC voltage: 5V
3. Operating Temperature: -40°C to +85°C
4. Storage Temperature: -40°C to +85°C

B. ELECTRICAL CHARACTERISTICS:

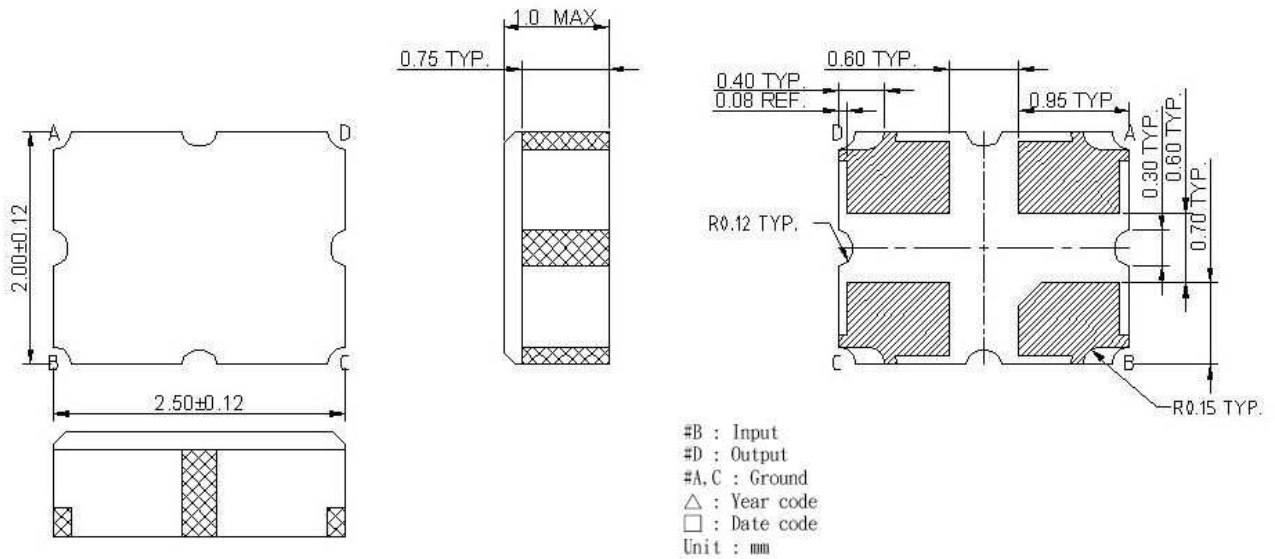
| Item | Min. | Typ. | Max. |
|---|------|---------|------|
| Center frequency Fc (dB) | - | 1575.42 | - |
| Insertion loss (1574.22 ~ 1576.62MHz) IL (dB) | - | 1.5 | 2.2 |
| Amplitude ripple (1574.22 ~ 1576.62MHz) (dB) | - | 0.1 | 1.0 |
| Attenuation (Reference level from 0dB) | | | |
| DC ~ 1400MHz (dB) | 35.0 | 37.0 | - |
| 1400 ~ 1475MHz (dB) | 30.0 | 34.0 | - |
| 1475 ~ 1525MHz (dB) | 25.0 | 37.0 | - |
| 1625 ~ 1640MHz (dB) | 30.0 | 45.0 | - |
| 1640 ~ 2000MHz (dB) | 32.0 | 34.0 | - |
| 2000 ~ 3000MHz (dB) | 20.0 | 28.0 | - |
| VSWR (1574.22 ~ 1576.62MHz) | - | 1.2 | 2.0 |
| Source impedance Zs (Ω) | - | 50 | - |
| Load impedance Z _L (Ω) | - | 50 | - |

Note: The standard definitions is in JIS C 6703

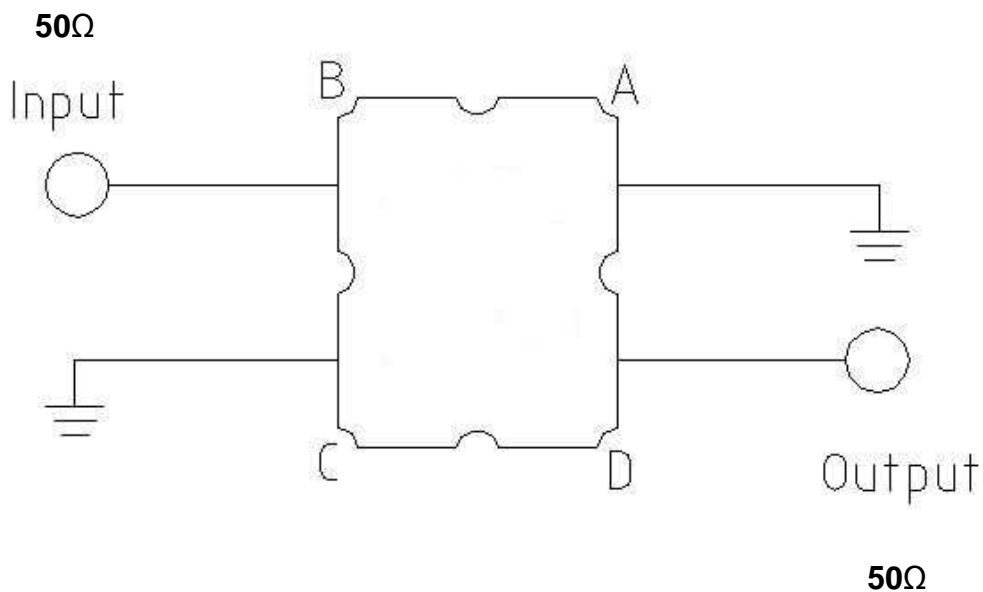
SAW Filter 1575.42MHz for GPS
Part No: MA05255

Model: TA0285A
Rev No: 4

C. OUTLINE DRAWING:



D. MEASUREMENT CIRCUIT:

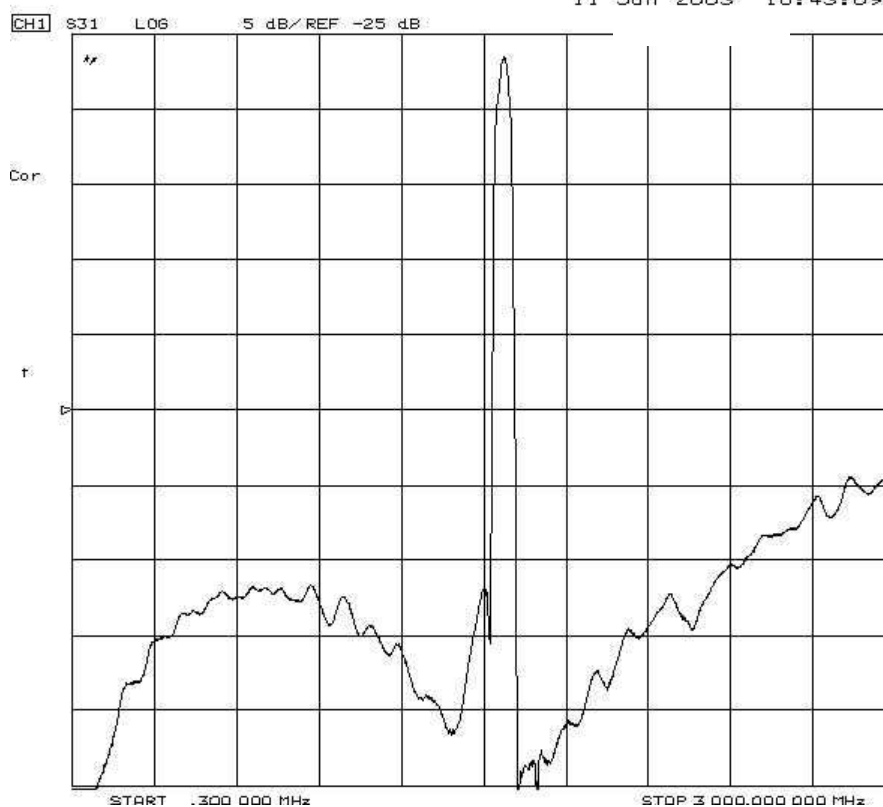
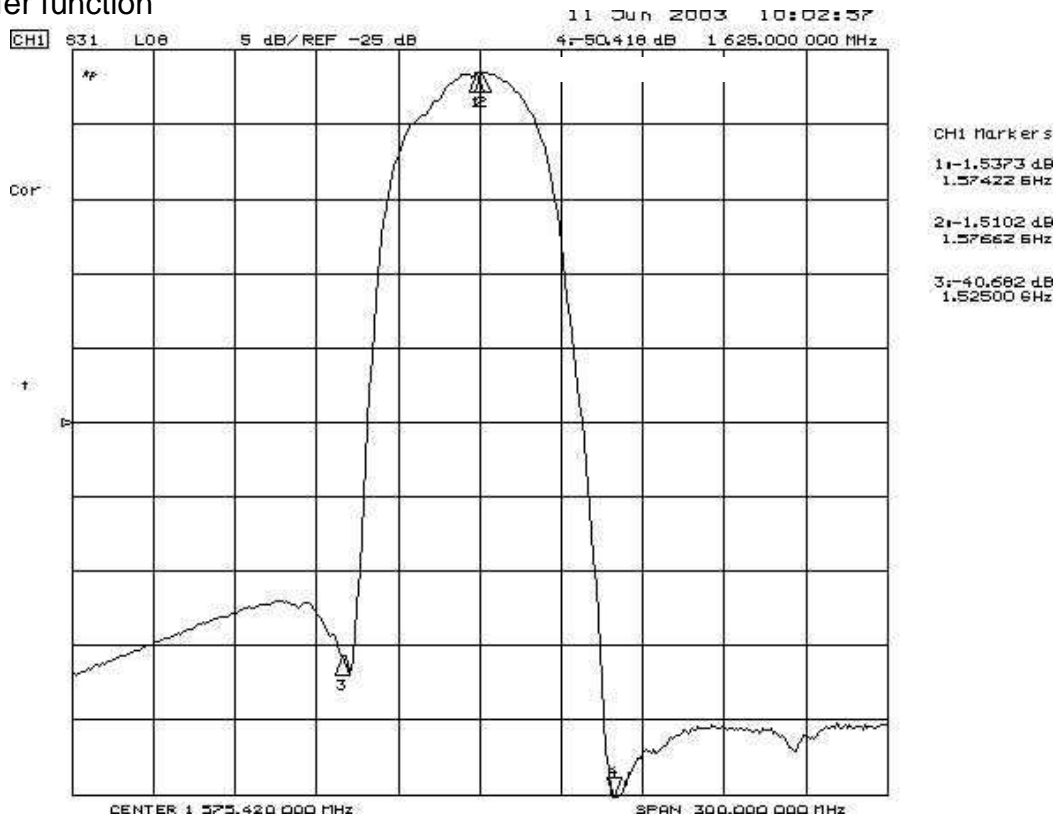


SAW Filter 1575.42MHz for GPS
Part No: MA05255

Model: TA0285A
Rev No: 4

E. FREQUENCY CHARACTERISTICS:

Transfer function

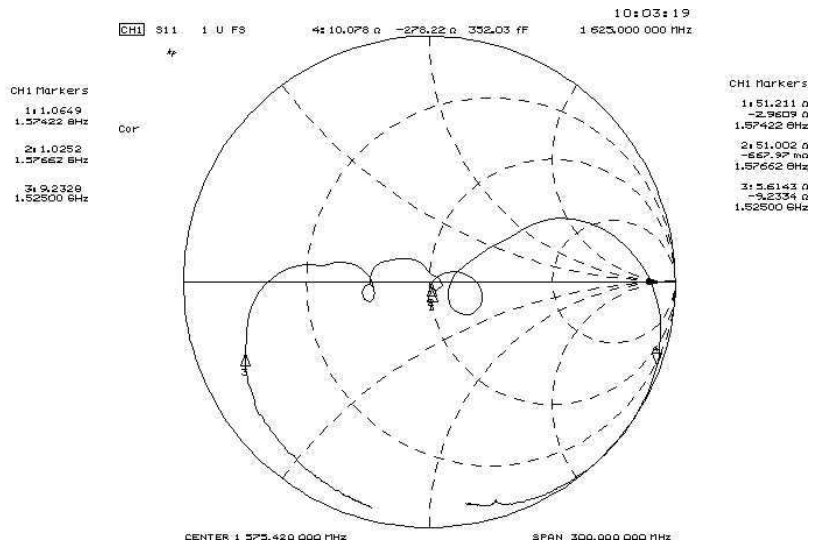
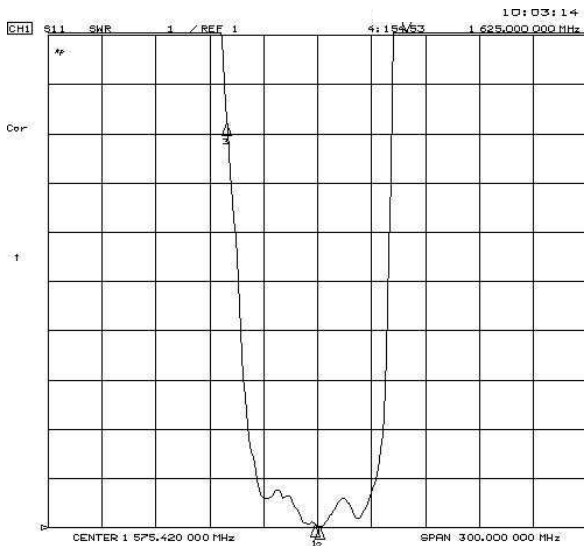


SAW Filter 1575.42MHz for GPS
Part No: MA05255

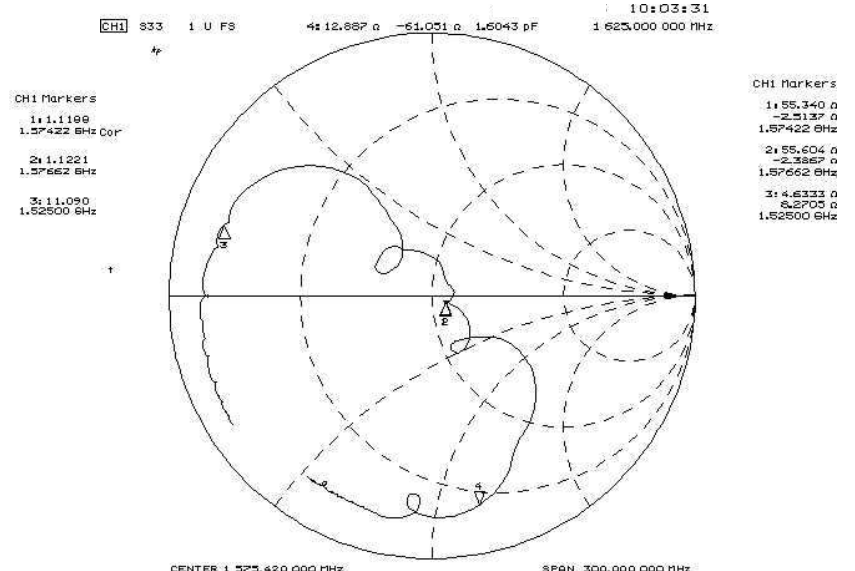
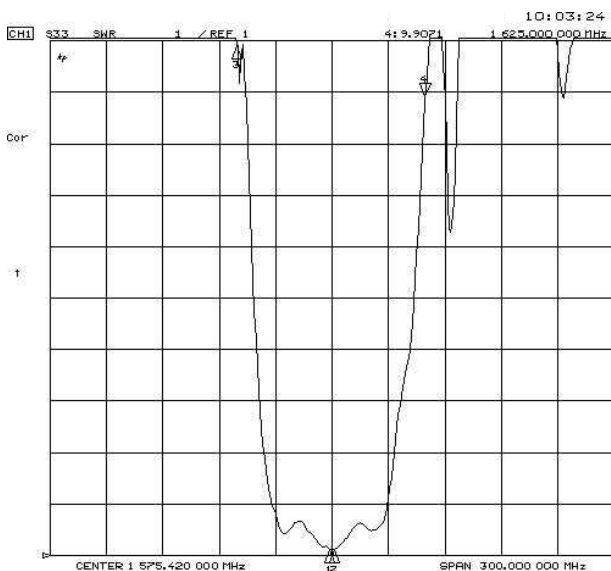
Model: TA0285A
Rev No: 4

Reflection Functions

S11 VSWR



S22 VSWR

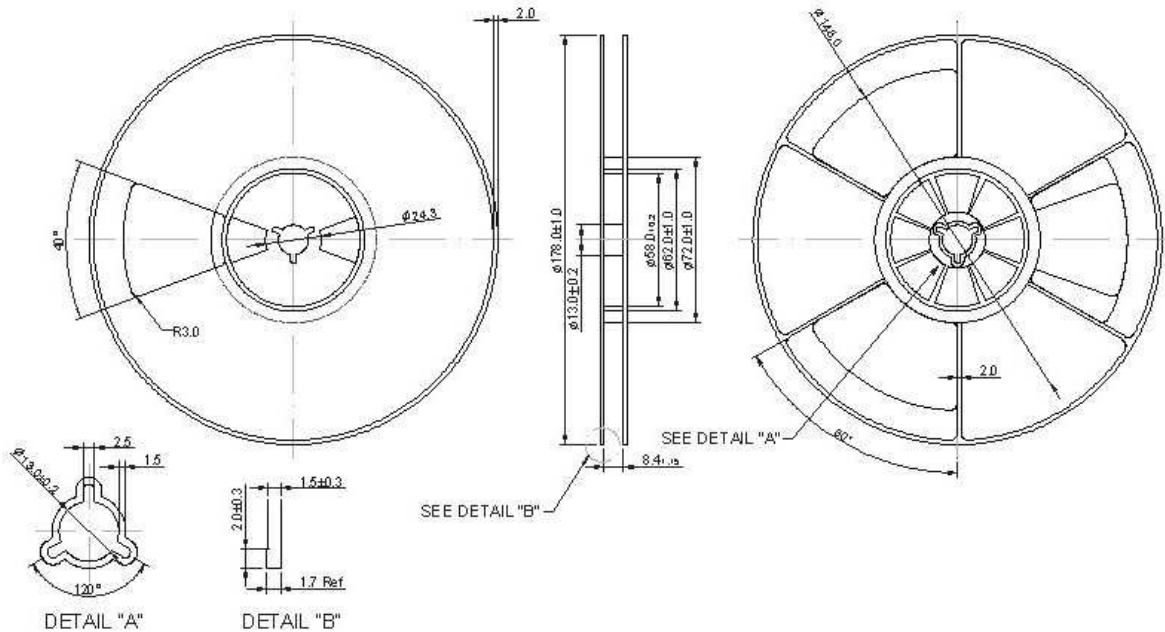


SAW Filter 1575.42MHz for GPS
Part No: MA05255

Model: TA0285A
Rev No: 4

F. PACKING:

1. REEL DIMENSION



2. TAPE DIMENSION

