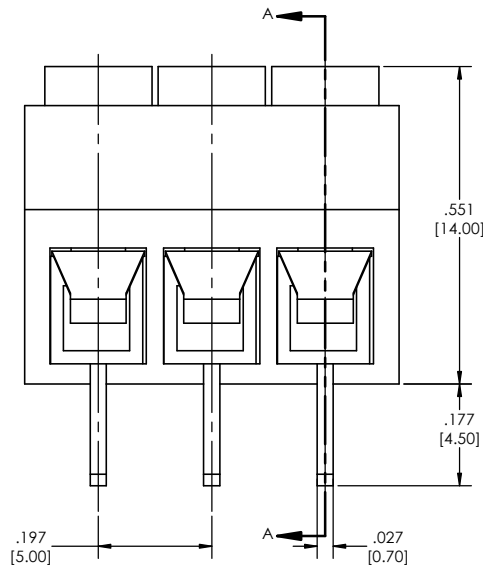
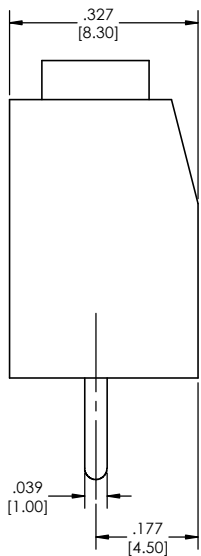
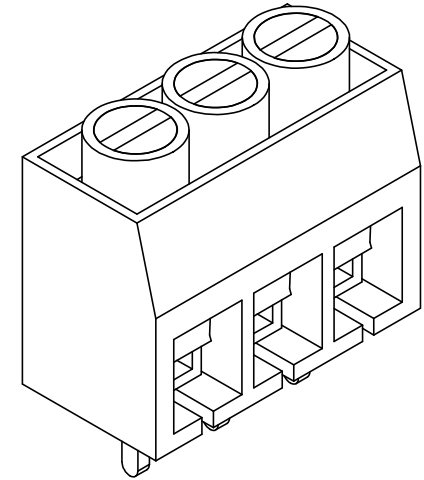
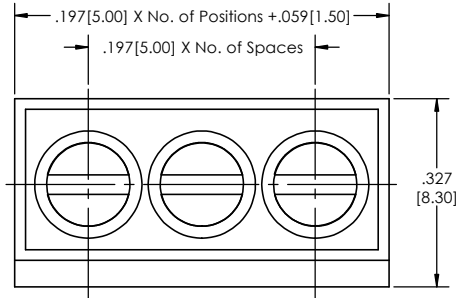
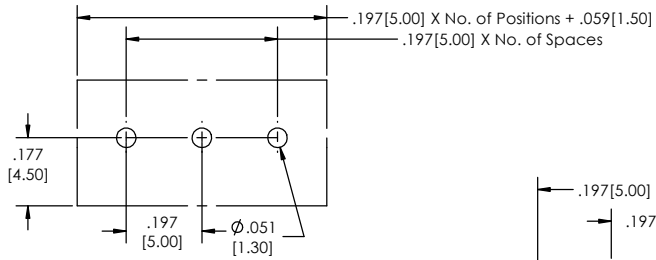
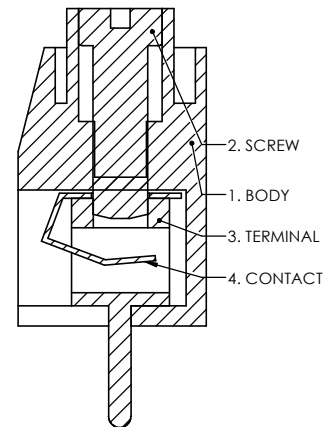


Recommended P.C. Board Layout
SCALE 4:1



SECTION A-A



TBW - 08 - **197** - **XX** - **XX** - **LF**
(A) (B) (C) (D)

- A. Pitch
 - 197= .197(5.00) cl
- B. No. of Positions
 - 02-24
- C. Color
 - GR= Green (Standard)
 - BK= Black
 - BL= Blue
 - WH= White
 - GY= Grey
 - OR= Orange
 - YW= Yellow
 - RD= Red
 - BR= Brown
- D. Lead Free
- Specifications:
 Current Rating: 10 Ampere
 Voltage Rating: AC 250V
 Wire Range: 12-18 AWG
 Insulation Resistance: DC 500V 500M ohms
 Dielectric Withstanding Voltage: AC 2500V/1 minute
 Operation Temperature: -33°C to +105°C
 Max Torque: 3.47 lb-in (4.0kgf. cm)
 Strip Length: .197-.236 (5-6mm)

- Materials:
 1. Body: PA66 (Nylon), UL94 V-0
 2. Screw: M2.5, C1018 Steel, Zinc Plated
 3. Terminal: H62 Brass, Tin Plated
 4. Contact: SUS301 Stainless Steel

Tails may be clipped to achieve specific dimensions.
 Products cut to specific sizes are uncancellable/ nonreturnable.
 Parts are subject to change without notice.



PROPRIETARY AND CONFIDENTIAL
 THE INFORMATION CONTAINED IN THIS DRAWING IS THE SOLE PROPERTY OF Major League Electronics. ANY REPRODUCTION IN PART OR AS A WHOLE WITHOUT THE WRITTEN PERMISSION OF Major League Electronics IS PROHIBITED.

| | | | | | |
|-----------------------------|--|--------------------------------------|--|-------------------------------|--|
| UNLESS OTHERWISE SPECIFIED: | | NAME | | DATE | |
| DIMENSIONS ARE IN INCHES | | DRAWN | | EOW | |
| TOLERANCES: | | CHECKED | | GWE | |
| ONE DECIMALS ±.100 | | ENG APPR. | | | |
| TWO DECIMAL ±.010 | | MFG APPR. | | | |
| THREE DECIMAL ±.002 | | INTERPRET GEOMETRIC TOLERANCING PER: | | ADDRESS: | |
| FOUR DECIMAL ±.002 | | MATERIAL | | 2533 Centennial Blvd. | |
| NEXT ASSY | | FINISH | | Jeffersonville, In 47130 | |
| USED ON | | DO NOT SCALE DRAWING | | Phone: 812-670-4174 | |
| APPLICATION | | | | Fax: 812-670-4175 | |
| | | | | E-Mail: mle@mlelectronics.com | |
| | | | | TITLE: TBW-08-197 Series | |
| | | | | SIZE DWG. NO. | |
| | | | | C | |
| | | | | REV A | |
| | | | | SCALE 6:1 | |
| | | | | SHEET 1 OF 1 | |

