

MATERIAL

C10 zinc-plated steel.

RIVETS

Zinc-plated steel.

PULLING HOOK

Parallel to clamping arm, zinc-plated steel.

OSCILLATING PIN AND NUTS

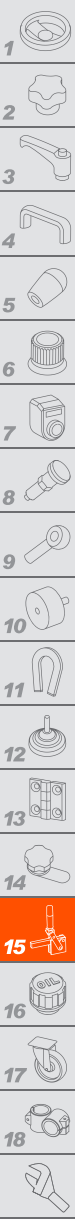
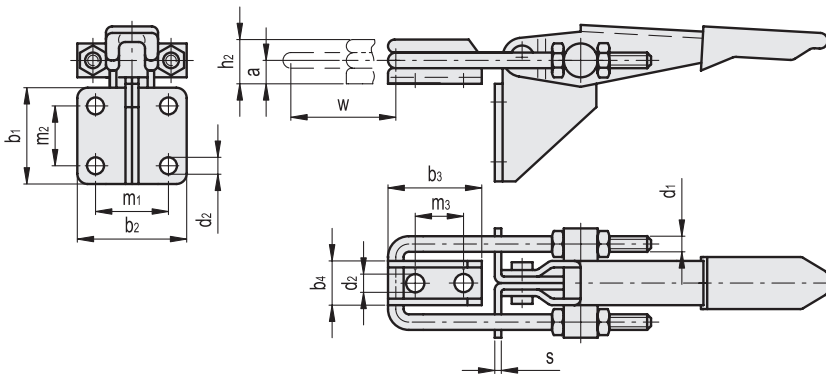
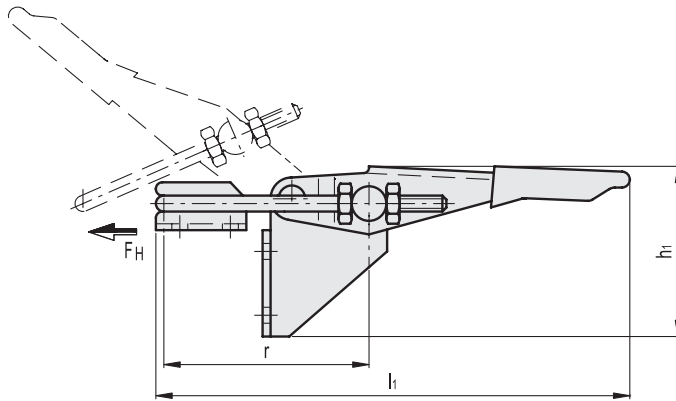
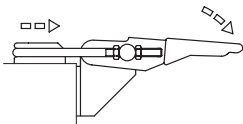
Zinc-plated steel.

HANDLE

Polyurethane, red colour.

FEATURES AND APPLICATIONS

All articulated joints are lubricated with special grease.
 MTE. clamps ensure tight closing of any cover.
 The position of the pulling hook can be adjusted in length according to the specific applications.



METRIC

Code	Description	a	b1	b2	b3	b4	d1	d2	h1	h2	l1	m1	m2	m3	r	s	Stroke w	FH [N]*	Δ
GG.AL560	MTE.160-T4	5	26	35	25.5	14	M4	4.3	40	10	99	22	13	14.3	48+58	2	32	1600	95
GG.AL565	MTE.320-T4	8	36	44	37	22	M6	6.5	57.5	15	152	25.5	19	20.5	75+95	3	53	3200	295
GG.AL570	MTE.700-T4	13	52	54	48.5	26	M8	8.5	82	23	225	36.5	32	27	98+122	3.5	64	7500	655

* Holding force.