

6

5

4

3

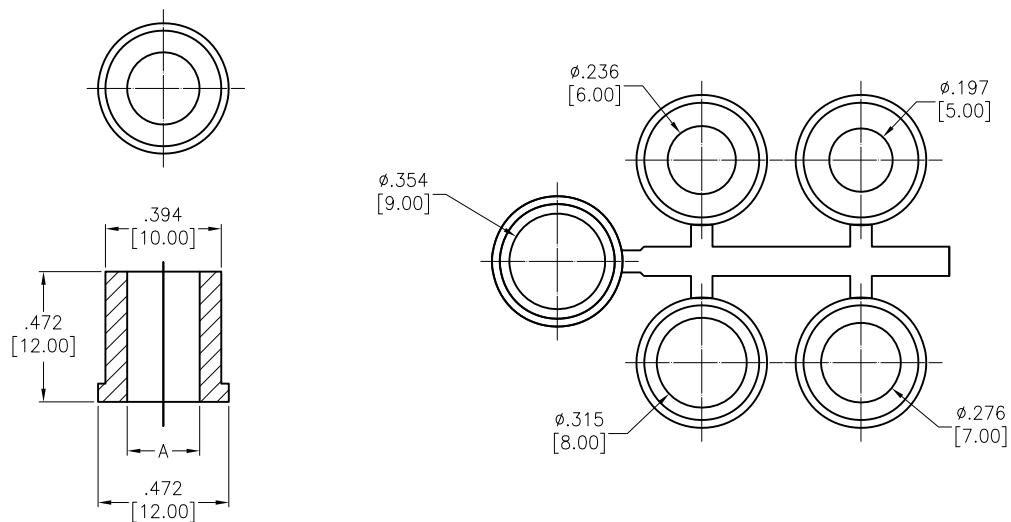
2

1

APPROVED: _____

DATE: _____ TITLE: _____

Rev	AWO #	Description	Date	Appr
-	7635	RELEASED	3/15/07	
A		UPDATED DRAWING	12/28/17	AY/ML
B		UPDATED DRAWING	7/3/20	AY/LL1



SPECIFICATIONS:
 Material:
 Insulator: TPR
 Insulator color: Black
 Environmental:
 Lead free, RoHS compliant



UNLESS OTHERWISE SPECIFIED ALL DIMENSIONS ARE INCHES [MM] TOLERANCES: EXCEPT AS NOTED INCHES HOLES .X ± .10 Ø.X ± .10 .XX ± .020 Ø.XX ± .015 .XXX ± .015 Ø.XXX ± .010		ADAM TECH INTERCONNECTS		909 Rahway Avenue, Union, NJ 07083 Phone: 908-687-5000 Fax: 908-687-5710	
APPROVALS		DATE		TITLE	
DRAWN	BW	3/15/07		GROMMET TREE FOR D-SUB HOOD	
CHECKED		SIZE	PART NO.	REV.	
APPROVED		X	GS-09/15	B	
REF: S00099T		SCALE: NTS	SHEET 1 OF 1		

6

5

4

3

2

1