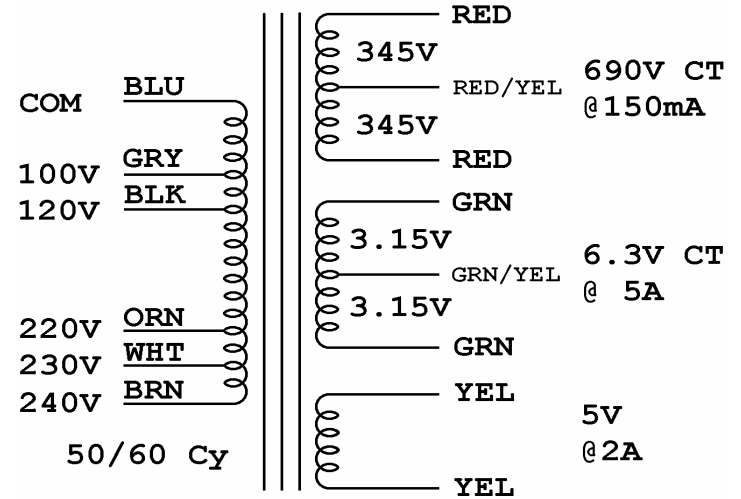
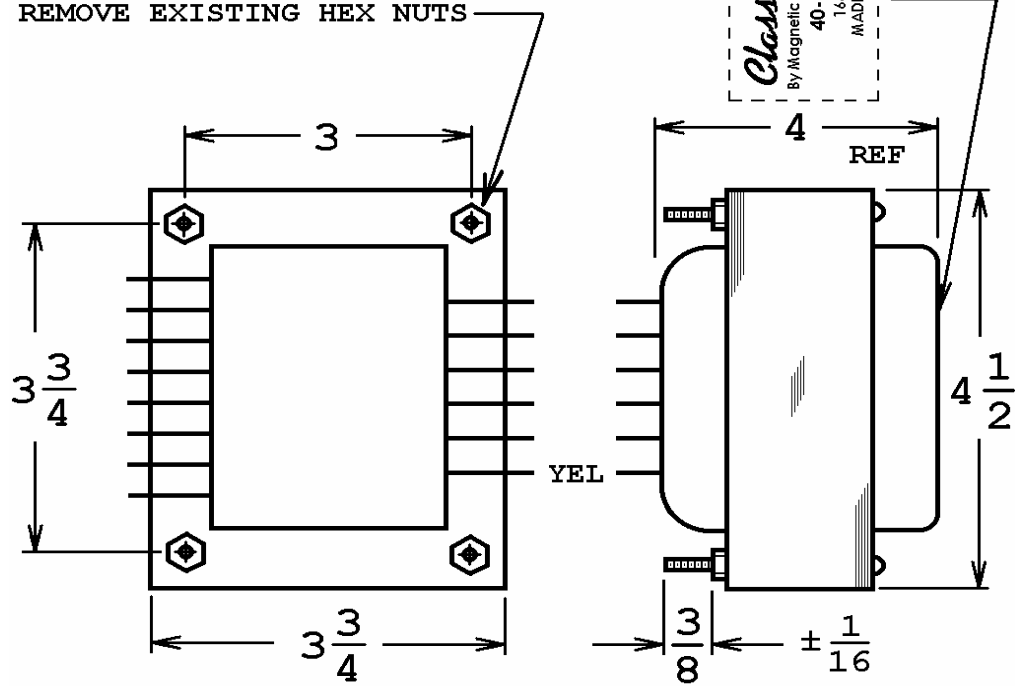
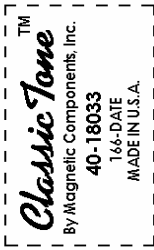


40-18033

This drawing is the property of Magnetic Components, Inc. and shall not be reproduced, in whole or in part, without the written permission of Magnetic Components, Inc.

REVISIONS			
LTR	DESCRIPTION	DATE	APPROVED
B	ADD ClassicTone, PROPRIETARY NOTE	01/08/10	M. SACKETTI
C	WHT WAS RED/WHT, BRN WAS YEL, RED/YEL WAS BLK, GRNs WERE ORN, GRN/YEL WAS BRN	04/19/10	M. SACKETTI
D	ADD HARDWARE NOTE, CT VOLTAGES	10/27/11	M. SACKETTI
E	ADD 100V TAP. REDRAWN.	11/26/13	M. SACKETTI

USE FOUR # 8-32 HEX NUTS (NOT SUPPLIED) FOR CHASSIS MOUNTING. PLEASE DO NOT REMOVE EXISTING HEX NUTS



UNLESS OTHERWISE SPECIFIED		SIGNATURES		DATE		MAGNETIC COMPONENTS, INC.		DIV :	
ALL DIMENSIONS IN INCHES DO NOT SCALE DRAWING		DRAWN : <i>MJF</i>		13 MAY 09		TITLE 50W MARSHALL POWER, LAYDOWN MOUNTING		LOC : SCHILLER PK	
		CHECK :							
FRACTIONS +/-		APPR : <i>M. Sacketti</i>		13 MAY 09		CAGE 50508		SIZE PART No.	
.X = +/-						A 40-18033		REV E	
.XX = +/-									
.XXX = +/-						SCALE NONE		SHEET :	
ANGLES = +/-									