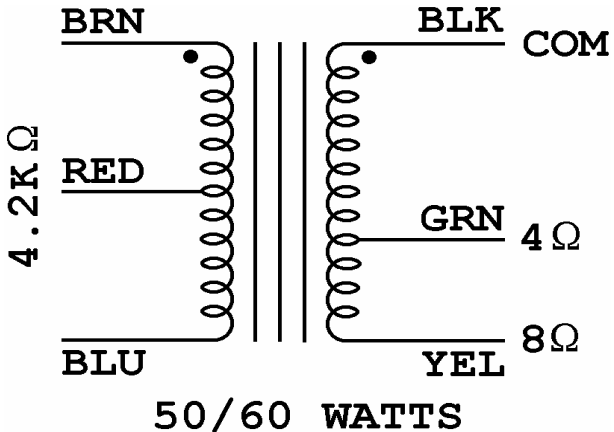
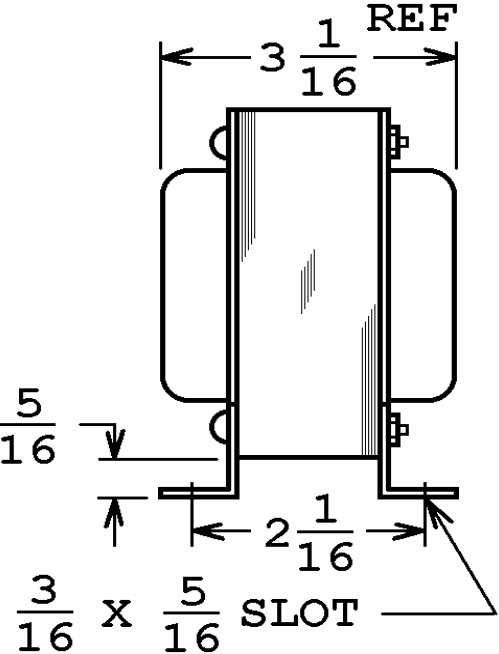
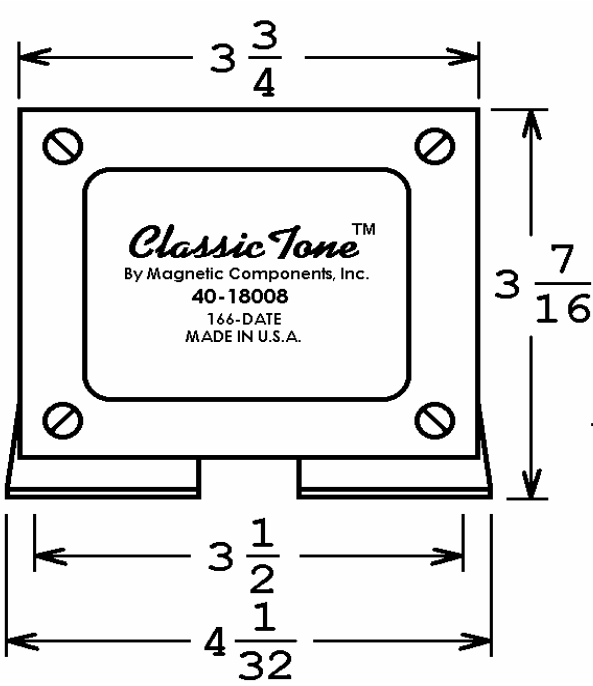


40-18008

This drawing is the property of Magnetic Components, Inc. and shall not be reproduced, in whole or in part, without the written permission of Magnetic Components, Inc.

REVISIONS			
LTR	DESCRIPTION	DATE	APPROVED
A	ADD PRIMARY IMPEDANCE	09/02/09	M. Sacketti
B	ADD ClassicTone, 60W	01/06/10	M. Sacketti
C	REVISE SCHEMATIC	09/19/11	M. Sacketti



UNLESS OTHERWISE SPECIFIED ALL DIMENSIONS IN INCHES DO NOT SCALE DRAWING FRACTIONS +/- .X = +/- .XX = +/- .XXX = +/- ANGLES = +/-	SIGNATURES		DATE		MAGNETIC COMPONENTS, INC.		DIV : LOC : SCHILLER PK	
	DRAWN : <i>M. Sacketti</i>		11 AUG 2009		TITLE 50/60W OUTPUT, 4/8 OHMS			
	CHECK :				CAGE 50508		SIZE PART No.	
	APPR : <i>M. Sacketti</i>		11 AUG 2009		SCALE NONE		A 40-18008	
							REV C	
							SHEET :	