

Evaluating the AD5543 Current Output/Serial Input DAC

FEATURES

- Full-featured evaluation board for the AD5543**
- Graphic user interface software for board control and data analysis**
- Connector to EVAL-SDP-CB1Z system development platform board**
- Various power supply options**

APPLICATIONS

- Automatic test equipment**
- Instrumentation**
- Digitally controlled calibration**
- Industrial control PLCs**

GENERAL DESCRIPTION

The AD5543 is a precision, 16-bit, low power, current output, small form factor, digital-to-analog converter (DAC). It is designed to operate from a single 5 V supply with a ± 10 V multiplying reference.

The applied external reference, V_{REF} , determines the full-scale output current. An internal feedback resistor (RFB) facilitates the R-2R and temperature tracking for voltage conversion when combined with an external op amp.

A serial data interface offers high speed, 3-wire, microcontroller-compatible inputs using serial data input (SDI), clock (CLK), and chip select (\overline{CS}).

The AD5543 is packaged in ultracompact (3 mm \times 4.7 mm) 8-lead MSOP and 8-lead SOIC packages.

The EVAL-AD5543/53SDZ board is used in conjunction with the EVAL-SDP-CB1Z system development platform (SDP) board available from Analog Devices, Inc., which is purchased separately from the evaluation board. The USB-to-SPI communication to the AD5543 is completed using this Blackfin[®]-based development board. The software offers a waveform generator.

The EVAL-AD5543/53SDZ can also be used for the [AD5553](#) by changing the number of bits written (14 bits) in the input.

FUNCTIONAL BLOCK DIAGRAM

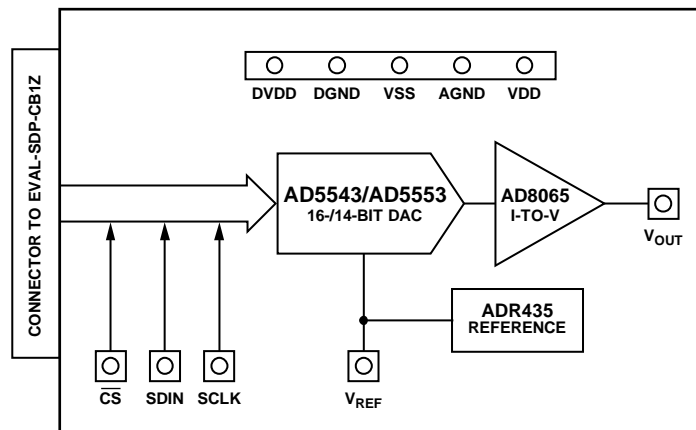


Figure 1.

TABLE OF CONTENTS

Features	1	Evaluation Board Software	3
Applications	1	Quick Start Procedure	3
General Description	1	AD5543 Evaluation Software Window	4
Functional Block Diagram	1	Evaluation Board Schematics and Artwork	7
Revision History	2	Evaluation Board Layout	9

REVISION HISTORY

2/12—Rev. 0 to Rev. A

Changes to Level Set Section	4
Replaced Evaluation Board Schematics and Artwork Section ...	7

11/10—Revision 0: Initial Version

EVALUATION BOARD SOFTWARE

QUICK START PROCEDURE

To get started, do the following:

1. Load and install the software CD.
2. Plug in the SDP board. The **Found New Hardware Wizard** dialog box opens, which allows you to install the software automatically.
3. Load the software for the SDP board. Click the **Start** button on the bottom left corner of your screen, then **All Programs**, then **AD5543**, and finally select the **SDP32NET** executable for the SDP board.
4. Connect the SDP board to the AD5543 evaluation board, and plug in the external power supply.
5. Load the AD5543 software. Click **Start**, then **All Programs**, then **Analog Devices**, and finally **AD5543**.

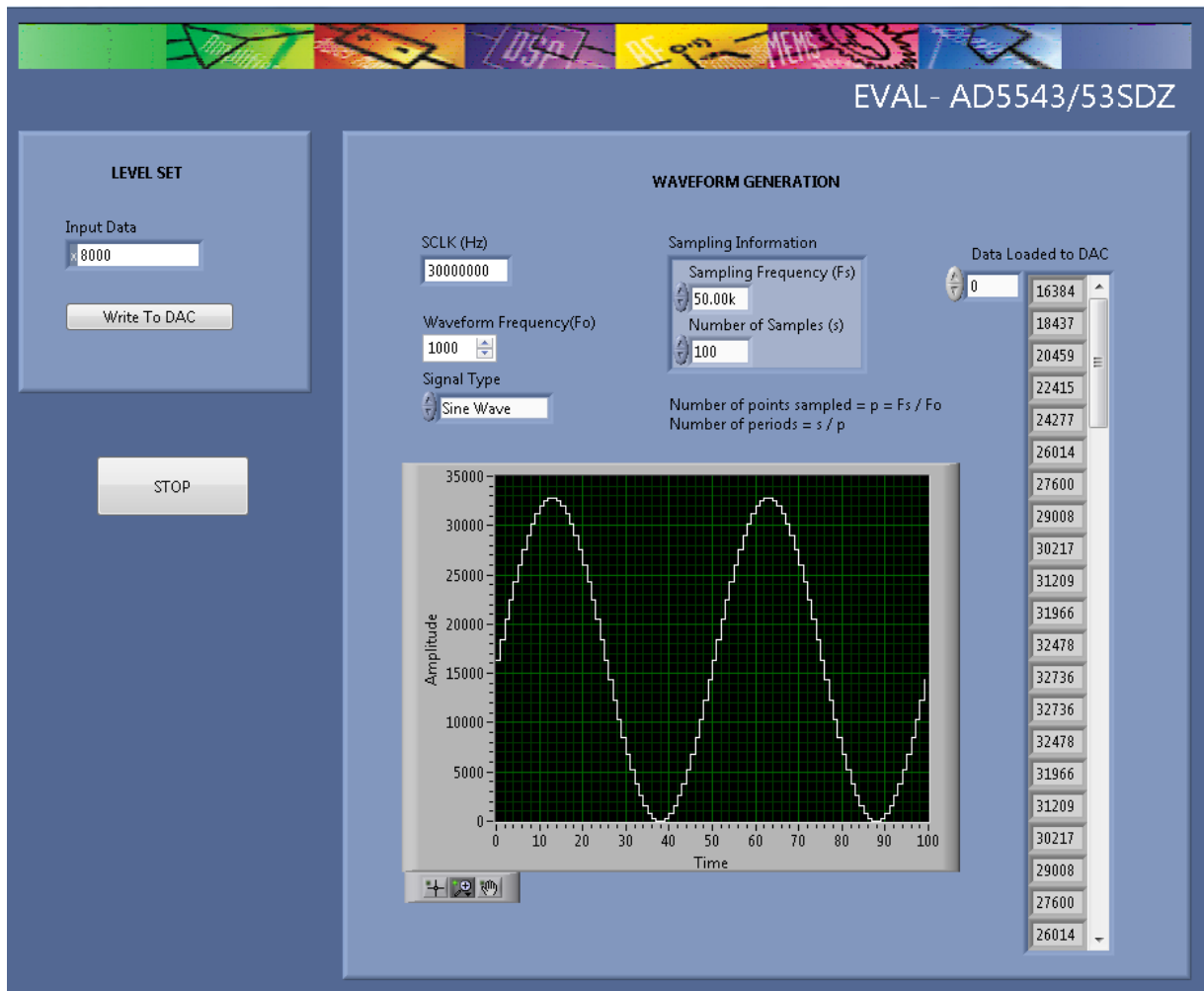


Figure 2. AD5543 Evaluation Software

AD5543 EVALUATION SOFTWARE WINDOW LEVEL SET

The **LEVEL SET** section in the AD5543 evaluation software allows you to choose the amplitude for the waveform depending on the code entered in the **Input Data** box. Click the **Write To DAC** button to load the code. Being a 16-Bit DAC, the relationship between the code entered and the voltage in the output is as follows:

$$V_{OUT} = \left(\frac{D}{2^N} - 1\right) \times V_{REF}$$

where:

$N = 16$ bits.

$V_{REF} = 5$ V.

D is the code introduced in decimal (0 to 32,767).

Waveform Generation

The **WAVEFORM GENERATION** section allows you to control the different frequencies and features in the waveform generation, including

- **SCLK:** clock input frequency (30 MHz default value).
- **Waveform Frequency (Fo).**
- **Signal Type:** dc signal (default), sawtooth, sine, triangle, and square wave options.
- **Sampling Information** includes the two following features:
 - **Sampling Frequency (Fs):** to avoid the aliasing effect, it is necessary to choose a frequency that is at least twice the value of the waveform frequency. The number of points sampled is calculated as follows:

$$\text{Number of Points Sampled} = \frac{\text{Sampling Frequency}}{\text{Waveform Frequency}}$$

- **Number of Samples (s):** this constant allows you to show in a graph a determined number of periods depending on its value. The maximum number of samples is 32,768.

$$\text{Number of Periods} = \frac{\text{Number of samples}}{\text{Number of Points Sampled}}$$

- **Data Loaded to DAC:** the array contains the value of every code where the waveform has been sampled.
- The graph shows each of the points contained in the array.

Example 1

1. Power on the board.
2. Start up the software.
3. Select the default 30 MHz clock frequency.
4. Select a waveform frequency of 500 Hz and **Sine Wave** as the signal type to show (dc signal is the default).
5. Select a sampling frequency of 20 kHz and 80 for the number of samples.

$$\text{Number of Points Sampled} = \frac{20,000 \text{ Hz}}{500 \text{ Hz}} = 40$$

$$\text{Number of Periods} = \frac{80}{40} = 2$$

6. Write the Code FFFF to show full scale.
7. Click **Write To DAC**.

The waveform obtained from the values entered shows two periods and the 40 samples per period (see Figure 3). The code of each sample is loaded in the array on the right side.

Click the **STOP** button to end the execution of the software.

Example 2

For a sharper waveform, the sampling frequency and the number of samples must be raised according to the frequency. The next example (see Figure 4) shows this relationship, where the sampling frequency value is changed to 1 MHz and the number of samples is 2000.

$$\text{Number of Points Sampled} = \frac{1,000,000 \text{ Hz}}{500 \text{ Hz}} = 2000$$

$$\text{Number of Periods} = \frac{2000}{2000} = 1$$

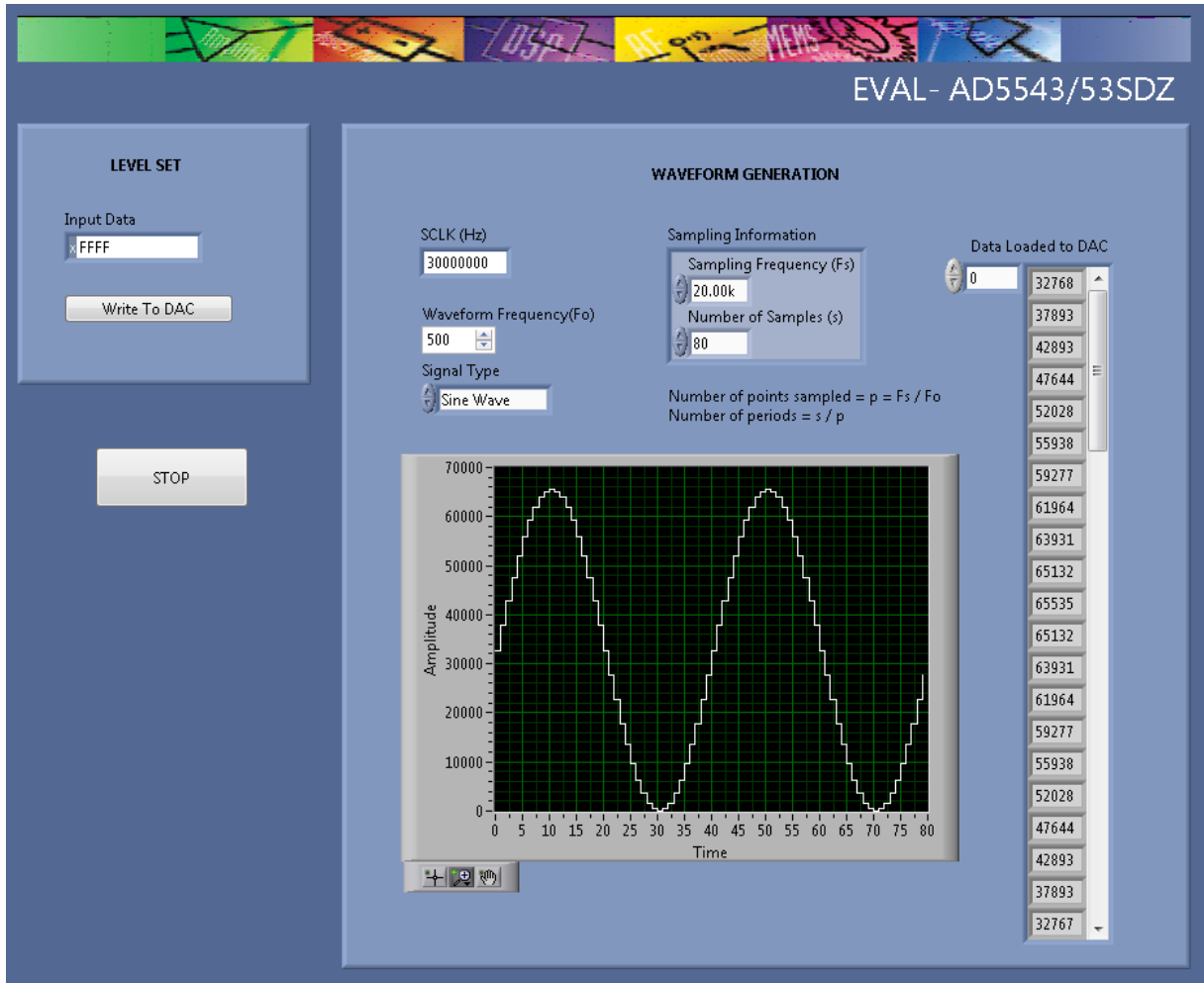


Figure 3. Example 1

09485-003

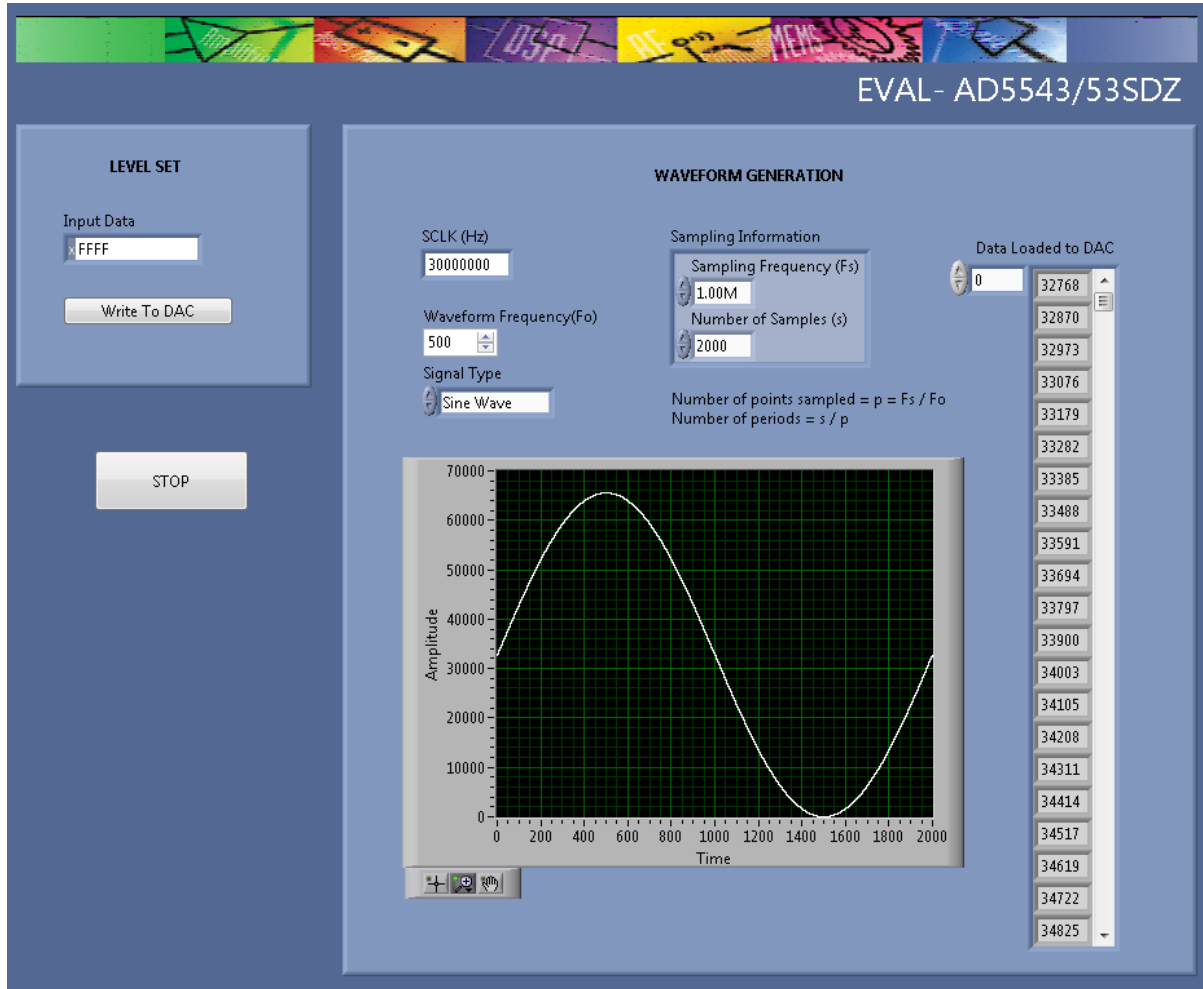


Figure 4. Example 2

09485-004

BMODE1: Pull up with a 10K resistor to set SDP to boot from a SPI FLASH on the daughter board

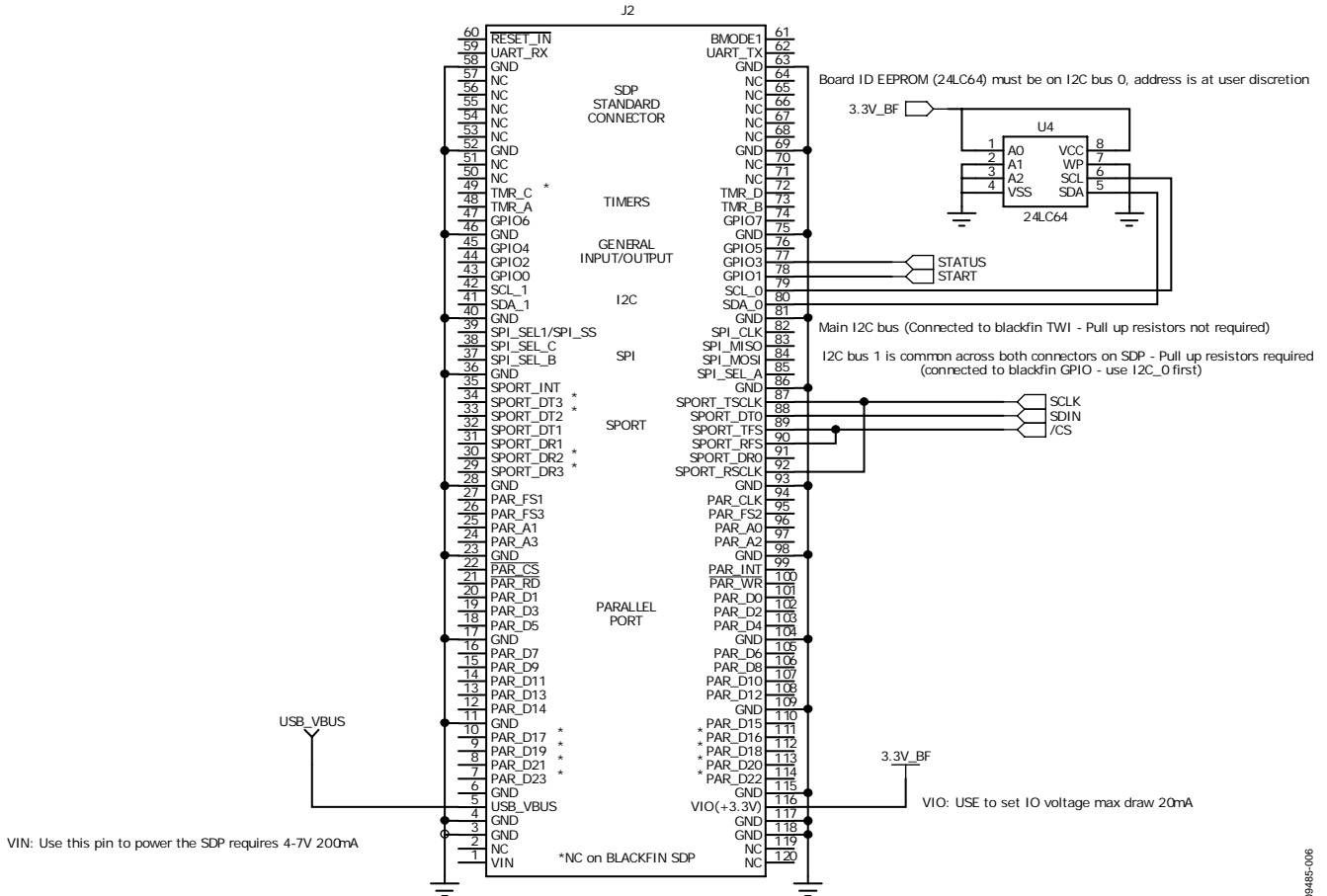


Figure 6. AD5543 Schematic Part B

09485-006

EVALUATION BOARD LAYOUT

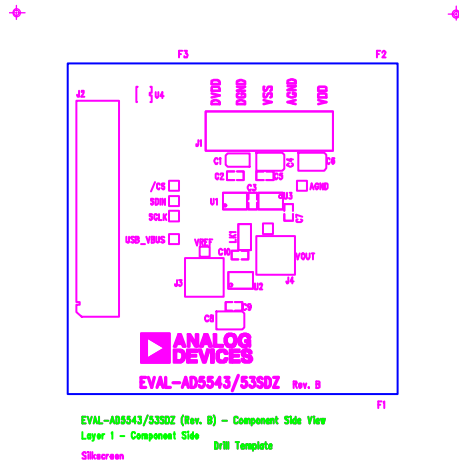


Figure 7. Silkscreen Top

09485-007

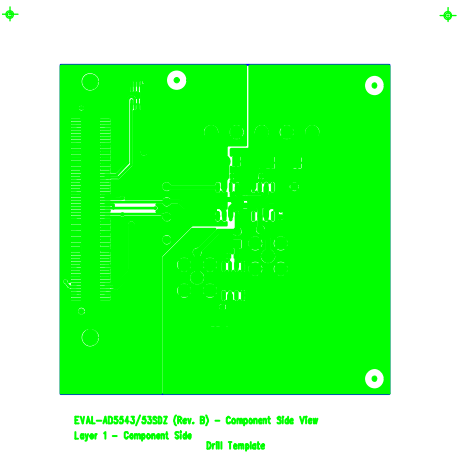


Figure 8. Top Side

09485-008

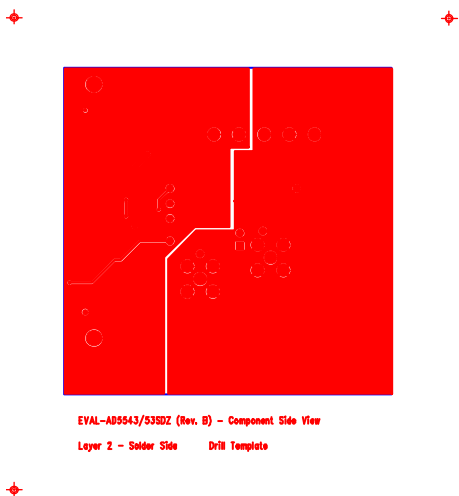


Figure 9. Bottom Side

09485-009

RELATED LINKS

Resource	Description
AD5543	Product Page, AD5543 16-Bit DAC in μ SOIC-8 Package
AD5553	Product Page, AD5553 14-Bit DAC in μ SOIC-8 Package
ADR435	Product Page, ADR435 Ultralow Noise XFET [®] Voltage References with Current Sink and Source Capability
AD8065	Product Page, AD8065 High Performance, 145 MHz <i>FastFET</i> [™] Op Amp

NOTES

NOTES

**ESD Caution**

ESD (electrostatic discharge) sensitive device. Charged devices and circuit boards can discharge without detection. Although this product features patented or proprietary protection circuitry, damage may occur on devices subjected to high energy ESD. Therefore, proper ESD precautions should be taken to avoid performance degradation or loss of functionality.

Legal Terms and Conditions

By using the evaluation board discussed herein (together with any tools, components documentation or support materials, the "Evaluation Board"), you are agreeing to be bound by the terms and conditions set forth below ("Agreement") unless you have purchased the Evaluation Board, in which case the Analog Devices Standard Terms and Conditions of Sale shall govern. Do not use the Evaluation Board until you have read and agreed to the Agreement. Your use of the Evaluation Board shall signify your acceptance of the Agreement. This Agreement is made by and between you ("Customer") and Analog Devices, Inc. ("ADI"), with its principal place of business at One Technology Way, Norwood, MA 02062, USA. Subject to the terms and conditions of the Agreement, ADI hereby grants to Customer a free, limited, personal, temporary, non-exclusive, non-sublicensable, non-transferable license to use the Evaluation Board FOR EVALUATION PURPOSES ONLY. Customer understands and agrees that the Evaluation Board is provided for the sole and exclusive purpose referenced above, and agrees not to use the Evaluation Board for any other purpose. Furthermore, the license granted is expressly made subject to the following additional limitations: Customer shall not (i) rent, lease, display, sell, transfer, assign, sublicense, or distribute the Evaluation Board; and (ii) permit any Third Party to access the Evaluation Board. As used herein, the term "Third Party" includes any entity other than ADI, Customer, their employees, affiliates and in-house consultants. The Evaluation Board is NOT sold to Customer; all rights not expressly granted herein, including ownership of the Evaluation Board, are reserved by ADI. CONFIDENTIALITY. This Agreement and the Evaluation Board shall all be considered the confidential and proprietary information of ADI. Customer may not disclose or transfer any portion of the Evaluation Board to any other party for any reason. Upon discontinuation of use of the Evaluation Board or termination of this Agreement, Customer agrees to promptly return the Evaluation Board to ADI. ADDITIONAL RESTRICTIONS. Customer may not disassemble, decompile or reverse engineer chips on the Evaluation Board. Customer shall inform ADI of any occurred damages or any modifications or alterations it makes to the Evaluation Board, including but not limited to soldering or any other activity that affects the material content of the Evaluation Board. Modifications to the Evaluation Board must comply with applicable law, including but not limited to the RoHS Directive. TERMINATION. ADI may terminate this Agreement at any time upon giving written notice to Customer. Customer agrees to return to ADI the Evaluation Board at that time. LIMITATION OF LIABILITY. THE EVALUATION BOARD PROVIDED HEREUNDER IS PROVIDED "AS IS" AND ADI MAKES NO WARRANTIES OR REPRESENTATIONS OF ANY KIND WITH RESPECT TO IT. ADI SPECIFICALLY DISCLAIMS ANY REPRESENTATIONS, ENDORSEMENTS, GUARANTEES, OR WARRANTIES, EXPRESS OR IMPLIED, RELATED TO THE EVALUATION BOARD INCLUDING, BUT NOT LIMITED TO, THE IMPLIED WARRANTY OF MERCHANTABILITY, TITLE, FITNESS FOR A PARTICULAR PURPOSE OR NON-INFRINGEMENT OF INTELLECTUAL PROPERTY RIGHTS. IN NO EVENT WILL ADI AND ITS LICENSORS BE LIABLE FOR ANY INCIDENTAL, SPECIAL, INDIRECT, OR CONSEQUENTIAL DAMAGES RESULTING FROM CUSTOMER'S POSSESSION OR USE OF THE EVALUATION BOARD, INCLUDING BUT NOT LIMITED TO LOST PROFITS, DELAY COSTS, LABOR COSTS OR LOSS OF GOODWILL. ADI'S TOTAL LIABILITY FROM ANY AND ALL CAUSES SHALL BE LIMITED TO THE AMOUNT OF ONE HUNDRED US DOLLARS (\$100.00). EXPORT. Customer agrees that it will not directly or indirectly export the Evaluation Board to another country, and that it will comply with all applicable United States federal laws and regulations relating to exports. GOVERNING LAW. This Agreement shall be governed by and construed in accordance with the substantive laws of the Commonwealth of Massachusetts (excluding conflict of law rules). Any legal action regarding this Agreement will be heard in the state or federal courts having jurisdiction in Suffolk County, Massachusetts, and Customer hereby submits to the personal jurisdiction and venue of such courts. The United Nations Convention on Contracts for the International Sale of Goods shall not apply to this Agreement and is expressly disclaimed.