

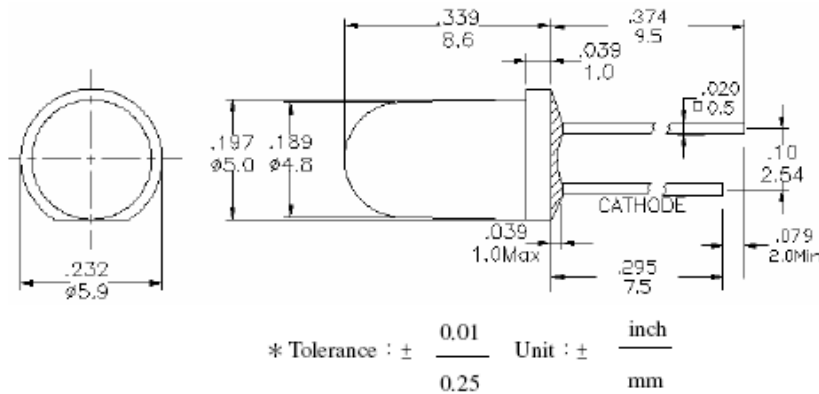


American Opto Plus LED L513YD-B

5mm Dia LED LAMP-yellow diffused

- ❖ 5mm super bright LED lamp
- ❖ Low power consumption
- ❖ I.C Compatible

PACKAGE DIMENSION:



Feature

- Low Power Consumption
- I.C. compatible

Description

- These High Intensity LEDs are Based on GaAsP/GaP Material Technology
- Yellow Diffusion Lens

Applications

- Front panel indicator
- Backlight

SELECTION GUIDE

Chip Material	Chip Emitted	Lens Color	Viewing Angle
GaAsP/GaP	Yellow	Yellow Diffused	45°



American Opto Plus LED L513YD-B

5mm Dia LED LAMP-yellow diffused

- ❖ 5mm super bright LED lamp
- ❖ Low power consumption
- ❖ I.C Compatible

Absolute Maximum Ratings at $T_a = 25^\circ\text{C}$

Symbol	Parameter	Max.	Unit
PD	Power Dissipation	84	mW
VR	Reverse Voltage	5	V
IF	Forward Current	30	mA
IPF	Pulse Forward Current (Duty = 0.1 · 1kHz)	100	mA
T _{opr}	Operating Temperature Range	- 40 to + 80	°C
T _{stg}	Storage Temperature Range	- 40 to + 100	°C

Lead Soldering Temperature [1.6mm (0.063inch) From Body] 260°C For 5 Seconds.

Electrical / Optical Characteristics and Curves at $T_a = 25^\circ\text{C}$

Symbol	Parameter	Test Condition	Min.	Typ.	Max.	Unit
VF	Forward Voltage	IF = 20 mA		2.1	2.8	V
IR	Reverse Current	VR = 5 V			100	μA
λ _P	Peak Wavelength	IF = 20 mA		590		nm
Δθ	Viewing Angle 2θ 1/2	IF = 20 mA		45		Deg
IV	Luminous Intensity	IF = 10 mA	5.0	15.0		mcd