



## NS-205PF Series/NSM-205PF Series NS-205PF-24V Series/NSM-205PF-24V Series

4-port 10/100 Mbps PoE (PSE) with 1 Fiber Port Switch

### Features

- Provides 1 x 100-FX fiber port plus 4 x Ethernet ports
- Each port supports both 10/100 Mbps speed auto negotiation
- Full duplex IEEE 802.3x and half duplex backpressure flow control
- 4 PoE ports with Power Sourcing Equipment (PSE) operation
- Over-temperature, over-current and over/under-voltage detection
- Automatic MDI/MDI-X crossover for plug-and-play
- Store-and-forward architecture
- Auto-detection of PD (powered devices) and automatic power management

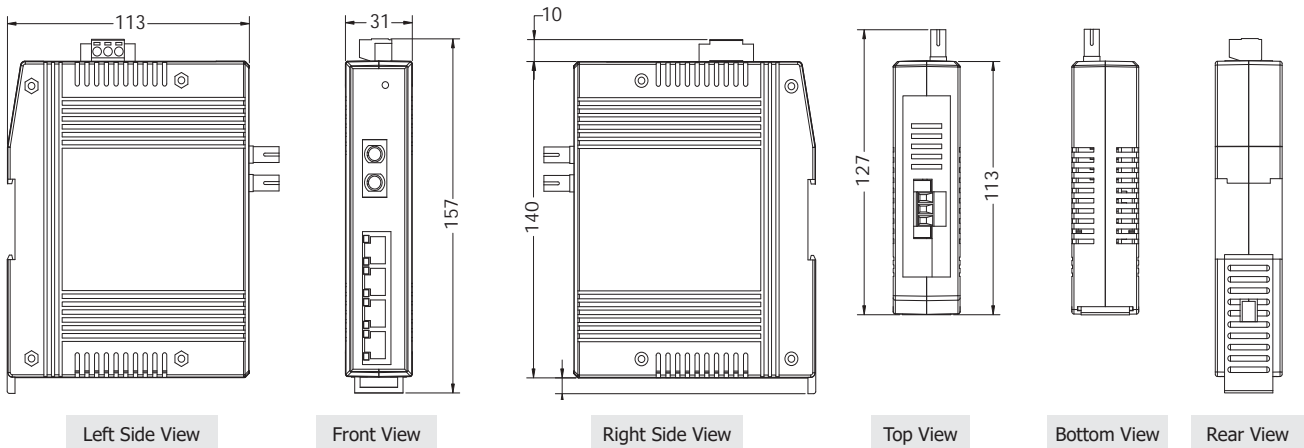


### Introduction

The NS-205PF/NSM-205PF is a 4-port unmanaged PoE (PSE) with 1 fiber port switch; it supports 4 PoE ports which are classified as power source equipment (PSE). The NS-205PF/NSM-205PF makes centralized power supply come true and provides up to 15.4 watts of power per PSE port. Using fiber optics, you can prevent noise from interfering with your system and supports high-speed (100 Mbps) and high-distance (up to 60 km) transmissions. The NS-205PF-24V/NSM-205PF-24V series is designed with +24 VDC to +48 VDC boost for PoE application where +48 VDC power supply is not available.

### Dimensions (Units: mm)

#### NS-205PF/NS-205PF-24V Series



Left Side View

Front View

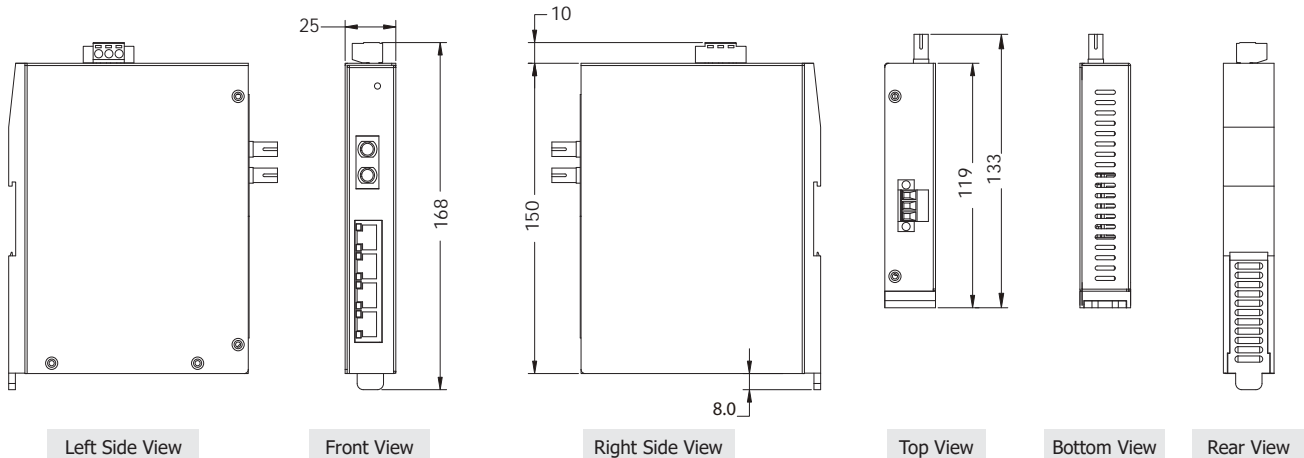
Right Side View

Top View

Bottom View

Rear View

#### NSM-205PF/NSM-205PF-24V Series



Left Side View

Front View

Right Side View

Top View

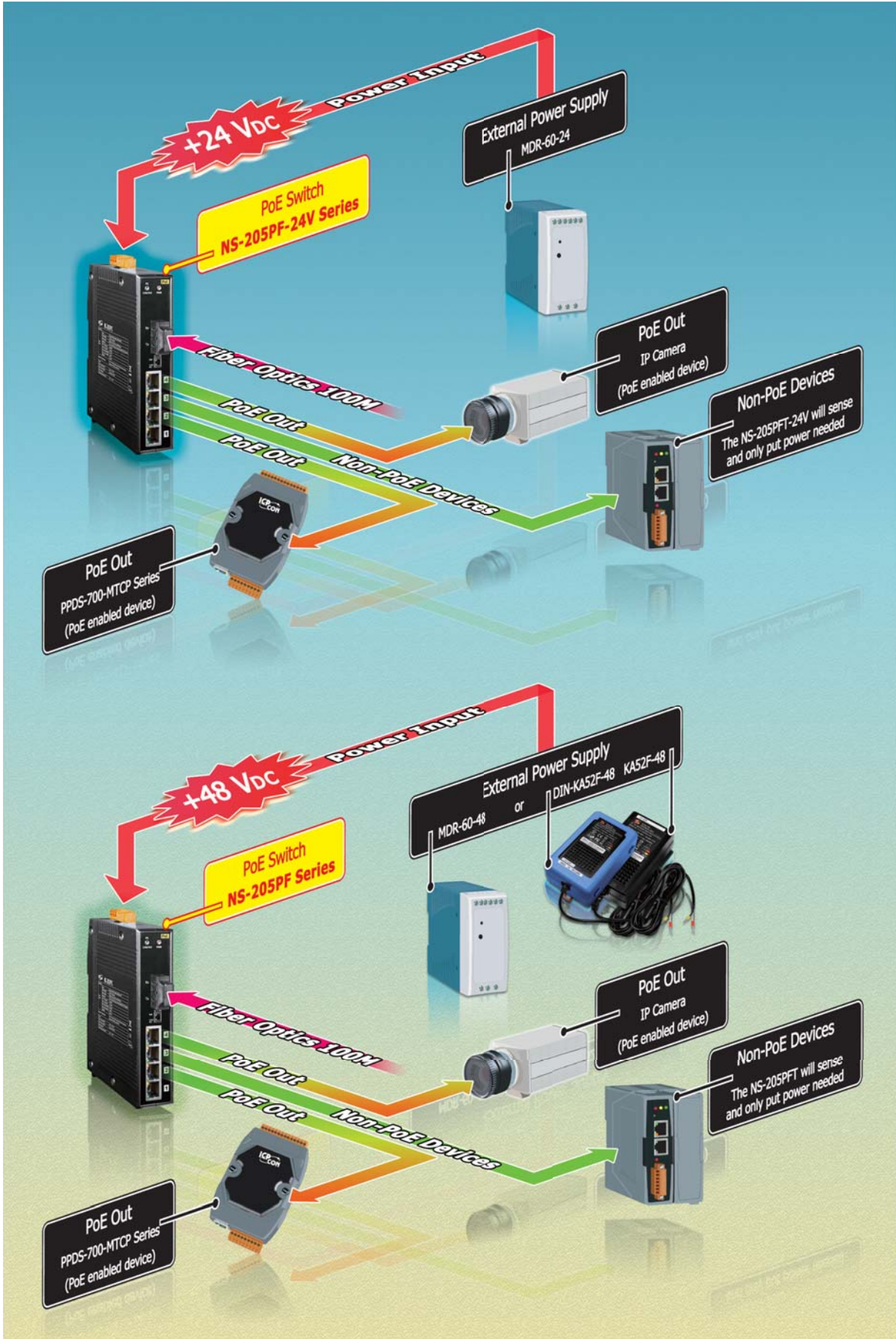
Bottom View

Rear View


## Specifications

| Model                                      | NS-205PF Series  | NSM-205PF Series  | NS-205PF-24V Series  | NSM-205PF-24V Series          |
|--|--|---|--|-------------------------------|
| <b>EMS Protection</b>                      |  |   |  |                               |
| ESD (IEC 61000-4-2)                        | ± 4 kV Contact   |   |  |                               |
| <b>LED Indicators</b>                      |  |   |  |                               |
| Status                                     | Power, Link/Act, Power Device is detected  |   |  |                               |
| <b>Ethernet</b>                            |  |   |  |                               |
| Ports                                      | 4 x RJ-45, 10/100Base-TX   |   |  |                               |
| Standards                                  | IEEE 802.3, 802.3u, 802.3x, 802.3af (Power over Ethernet)  |   |  |                               |
| Processing Type                            | Store & forward; wire speed switching  |   |  |                               |
| MAC Table                                  | 1024   |   |  |                               |
| Memory Bandwidth                           | 3.2 Gbps   |   |  |                               |
| Frame Buffer Memory                        | 512 Kbit   |   |  |                               |
| Flow Control                               | IEEE 802.3x flow control, back pressure flow control   |   |  |                               |
| Isolation                                  | 1500 Vrms 1 minute   |   |  |                               |
| <b>PoE Technology</b>                      |  |   |  |                               |
| PoE Compliance                             | 100% IEEE 802.3af compliant  |   |  |                               |
| PoE Power                                  | Up to 15.4 watts per channel   |   |  |                               |
| PoE Operation                              | Automatic detection and power management   |   |  |                               |
| PoE Pin Assignments                        | V+ (Pin 1,2), V- (Pin 3,6)   |   |  |                               |
| PoE Disconnect Mode                        | DC disconnect  |   |  |                               |
| PoE Voltage                                | +48 VDC depending on power input   |   |  |                               |
| <b>Fiber (1 x 100 Base-FX; SC/ST type)</b> |  |   |  |                               |
| Multi-Mode                                 | NS-205PFT<br>NS-205PFC<br>NSM-205PFT<br>NSM-205PFC<br>NS-205PFT-24V<br>NS-205PFC-24V<br>NSM-205PFT-24V<br>NSM-205PFC-24V | Fiber Cable: 50/125, 62.5/125 or 100/140 μm<br>Distance: 2 km, (62.5/125 μm recommended) for full duplex<br>Wavelength: 1300 or 1310nm<br>TX Output: -20 dBm Min., -14 dBm Max.<br>RX Sensitivity: -32 dBm<br>RX Overload: -8 dBm<br>Budget: 12 dBm     |  |                               |
| Single-Mode                                | NS-205PFCS<br>NSM-205PFCS<br>NS-205PFCS-24V<br>NSM-205PFCS-24V   | Fiber Cable: 8.3/125, 8.7/125, 9/125 or 10/125 μm<br>Distance: 30 km, (9/125 μm recommended) for full duplex<br>Wavelength: 1300 or 1310nm<br>TX Output: -15 dBm Min., -8 dBm Max.<br>RX Sensitivity: -34 dBm<br>RX Overload: -5 dBm<br>Budget: 19 dBm  |  |                               |
| Single-Mode                                | NS-205PFCS-60<br>NSM-205PFCS-60<br>NS-205PFCS-60-24V<br>NSM-205PFCS-60-24V   | Fiber Cable: 8.3/125, 8.7/125, 9/125 or 10/125 μm<br>Distance: : 60 km, (9/125 μm recommended) for full duplex<br>Wavelength: 1300 or 1310nm<br>TX Output: -5 dBm Min., -0 dBm Max.<br>RX Sensitivity: -35 dBm<br>RX Overload: -5 dBm<br>Budget: 30 dBm |  |                               |
| <b>Power</b>                               |  |   |  |                               |
| Reverse Polarity Protection                | Yes  |   |  |                               |
| Input Range                                | +46 ~ +55 VDC for PoE output   |   | +18 VDC ~ +32 VDC  |                               |
| Consumption                                | 0.08 A @ 48 VDC without PD loading;<br>1.5 A @ 48 VDC with PD full loading   |   | 0.24 A @ 24 VDC without PD loading;<br>3.2 A @ 24 VDC with PD full loading;<br>4.6 A @ 18 VDC with PD full loading |                               |
| <b>Mechanical</b>                          |  |   |  |                               |
| Casing                                     | Plastic  | Metal   | Plastic  | Metal                         |
| Dimensions (mm)                            | 31 x 157 x 113<br>(W x L x H)  | 25 x 168 x 133<br>(W x L x H)   | 31 x 157 x 113<br>(W x L x H)  | 25 x 168 x 133<br>(W x L x H) |
| Installation                               | DIN-Rail Mounting  |   |  |                               |
| Ingress Protection Rating                  | -  | IP30  | -  | IP30                          |
| <b>Environment</b>                         |  |   |  |                               |
| Operating Temperature                      | -30 °C ~ +75 °C  |   |  |                               |
| Storage Temperature                        | -40 °C ~ +85 °C  |   |  |                               |
| Humidity                                   | 10% ~ 90% RH, non-condensing   |   |  |                               |

■ Applications



## Comparison Table of 4-port 10/100 Mbps PoE (PSE) with 1 Fiber Port Switch



| Mode Name              | NS-205PF-24V            | NSM-205PF-24V           | NS-205PF                | NSM-205PF               |
|------------------------|-------------------------|-------------------------|-------------------------|-------------------------|
| PoE                    | 802.3af                 |                         |                         |                         |
| Input Voltage Range    | +18 VDC ~ +32 VDC       |                         | +46 VDC ~ +55 VDC       |                         |
| Operating Temperature  | -30 °C ~ +75 °C         |                         |                         |                         |
| Casing                 | Plastic                 | Metal (IP30)            | Plastic                 | Metal (IP30)            |
| Installation           | DIN-Rail Mounting       |                         |                         |                         |
| Dimensions (W x L x H) | 31 mm x 157 mm x 113 mm | 25 mm x 168 mm x 133 mm | 31 mm x 157 mm x 113 mm | 25 mm x 168 mm x 133 mm |

## Ordering Information

|                              |   |
|------------------------------|---|
| <b>NS-205PFT CR</b>          | Multi-mode, ST Connector, 4-port 10/100 Mbps PoE (PSE) with 1 Fiber port Switch (RoHS)                                      |
| <b>NS-205PFC CR</b>          | Multi-mode, SC Connector, 4-port 10/100 Mbps PoE (PSE) with 1 Fiber port Switch (RoHS)                                      |
| <b>NS-205PFCS CR</b>         | Single-mode 30 km, SC Connector, 4-port 10/100 Mbps PoE (PSE) with 1 Fiber port Switch (RoHS)                               |
| <b>NS-205PFCS-60 CR</b>      | Single-mode 60 km, SC Connector, 4-port 10/100 Mbps PoE (PSE) with 1 Fiber port Switch (RoHS)                               |
| <b>NSM-205PFT CR</b>         | Multi-mode, ST Connector, 4-port 10/100 Mbps PoE (PSE) with 1 Fiber port Switch; metal case (RoHS)                          |
| <b>NSM-205PFC CR</b>         | Multi-mode, SC Connector, 4-port 10/100 Mbps PoE (PSE) with 1 Fiber port Switch; metal case (RoHS)                          |
| <b>NSM-205PFCS CR</b>        | Single-mode 30 km, SC Connector, 4-port 10/100 Mbps PoE (PSE) with 1 Fiber port Switch; metal case (RoHS)                   |
| <b>NSM-205PFCS-60 CR</b>     | Single-mode 60 km, SC Connector, 4-port 10/100 Mbps PoE (PSE) with 1 Fiber port Switch; metal case (RoHS)                   |
| <b>NS-205PFT-24V CR</b>      | Multi-mode, ST Connector, 4-port 10/100 Mbps PoE (PSE) with 1 Fiber port and 24 VDC Input Switch (RoHS)                     |
| <b>NS-205PFC-24V CR</b>      | Multi-mode, SC Connector, 4-port 10/100 Mbps PoE (PSE) with 1 Fiber port and 24 VDC Input Switch (RoHS)                     |
| <b>NS-205PFCS-24V CR</b>     | Single-mode 30 km, SC Connector, 4-port 10/100 Mbps PoE (PSE) with 1 Fiber port and 24 VDC Input Switch (RoHS)              |
| <b>NS-205PFCS-60-24V CR</b>  | Single-mode 60 km, SC Connector, 4-port 10/100 Mbps PoE (PSE) with 1 Fiber port and 24 VDC Input Switch (RoHS)              |
| <b>NSM-205PFT-24V CR</b>     | Multi-mode, ST Connector, 4-port 10/100 Mbps PoE (PSE) with 1 Fiber port and 24 VDC Input Switch; metal case (RoHS)         |
| <b>NSM-205PFC-24V CR</b>     | Multi-mode, SC Connector, 4-port 10/100 Mbps PoE (PSE) with 1 Fiber port and 24 VDC Input Switch; metal case (RoHS)         |
| <b>NSM-205PFCS-24V CR</b>    | Single-mode 30 km, SC Connector, 4-port 10/100 Mbps PoE (PSE) with 1 Fiber port and 24 VDC Input Switch; metal case (RoHS)  |
| <b>NSM-205PFCS-60-24V CR</b> | Single-mode 60 km, SC Connector, 4-port 10/100 Mbps PoE (PSE) with 1 Fiber port and +24 VDC Input Switch; metal case (RoHS) |

## Accessories

|                     |   |
|---------------------|---|
| <b>MDR-60-24 CR</b> | Power Supply, 85~264 VAC to 24 VDC/2.5 A, 60 W, DIN-rail mounting (RoHS)  |
| <b>MDR-60-48 CR</b> | Power Supply, 85~264 VAC to 48 VDC/1.25 A, 60 W, DIN-rail mounting (RoHS) |