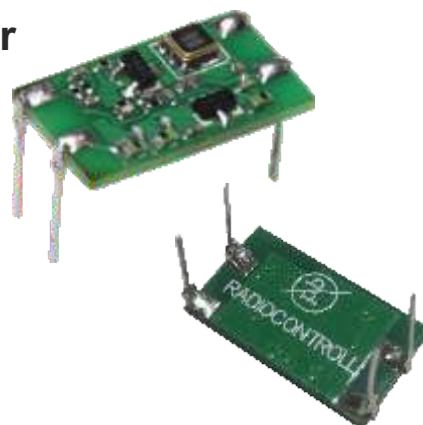


## Radio Transmitter module with SAW oscillator 433.92MHz - ASK/OOK Modulation

RC-TX1-434 is a transmitter module with SAW oscillator, allow to realize a complete Remote Keyless adding a coding circuit. ASK/OOK Modulation.

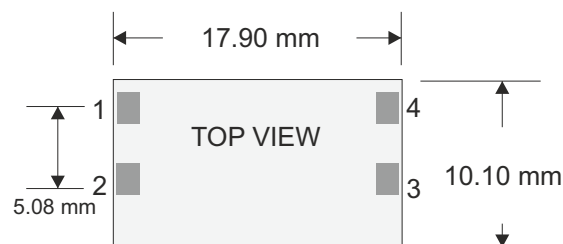
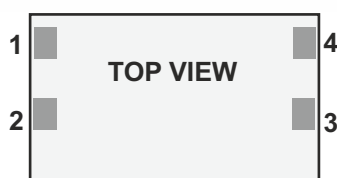


### Technical Characteristics

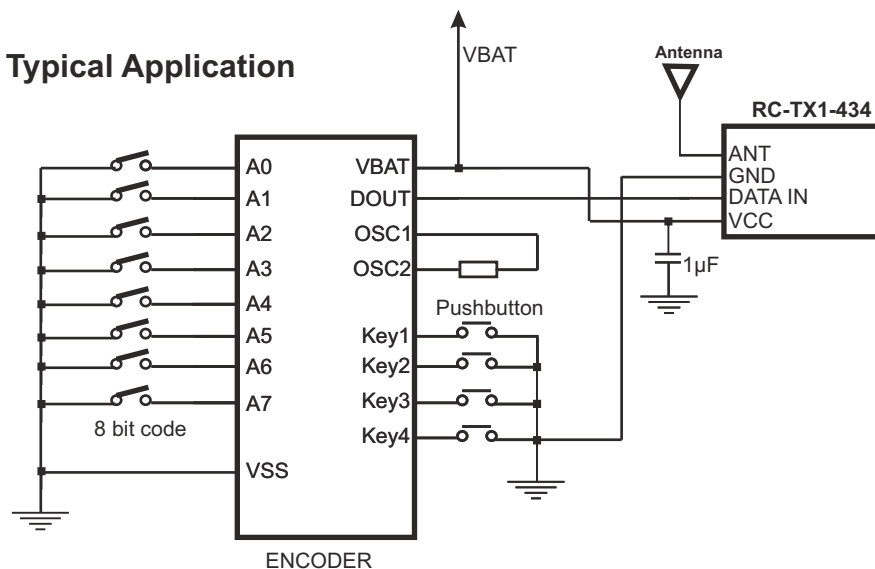
Characteristics		MIN	TYP	MAX	UNIT
V <sub>cc</sub>	Supply Voltage	2	5	9	Vdc
I	Supply Current		8		mA
P <sub>o</sub>	RF Power Output		10		dBm
F	XTAL Frequency		433.92		MHz
F	Frequency Tolerance		+/- 100		KHz
	Max Data Rate			9.6	Kbit/s
T <sub>OP</sub>	Operating Temperature Range	-25		+80	°C

### Pin Description

Pads	Name	Description
1	DATA IN	Data Input
2	ANT	External Antenna
3	VCC	Power Supply
4	GND	Ground



### Typical Application



### Applications :

- Wireless security systems
- Home and building automation
- Automatic Measure Reading
- Wireless Sensor Network